

(11) 1", 1-1/4" & 1-1/2" CONCENTRIC TRADE SIZE KNOCKOUTS

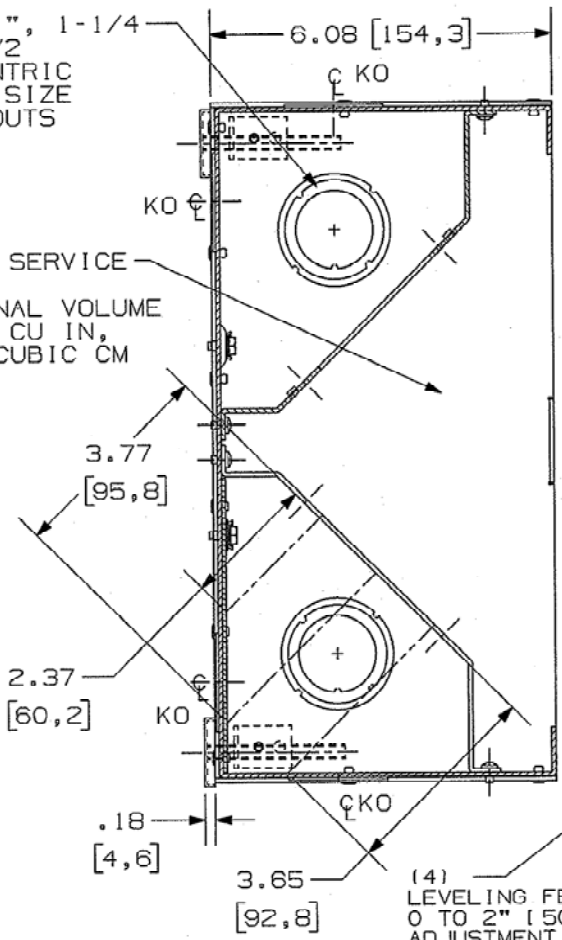
CABLE SERVICE AREA
INTERNAL VOLUME
330.8 CU IN,
5420 CUBIC CM

2" TRADE SIZE KNOCKOUT THIS LOCATION ONLY

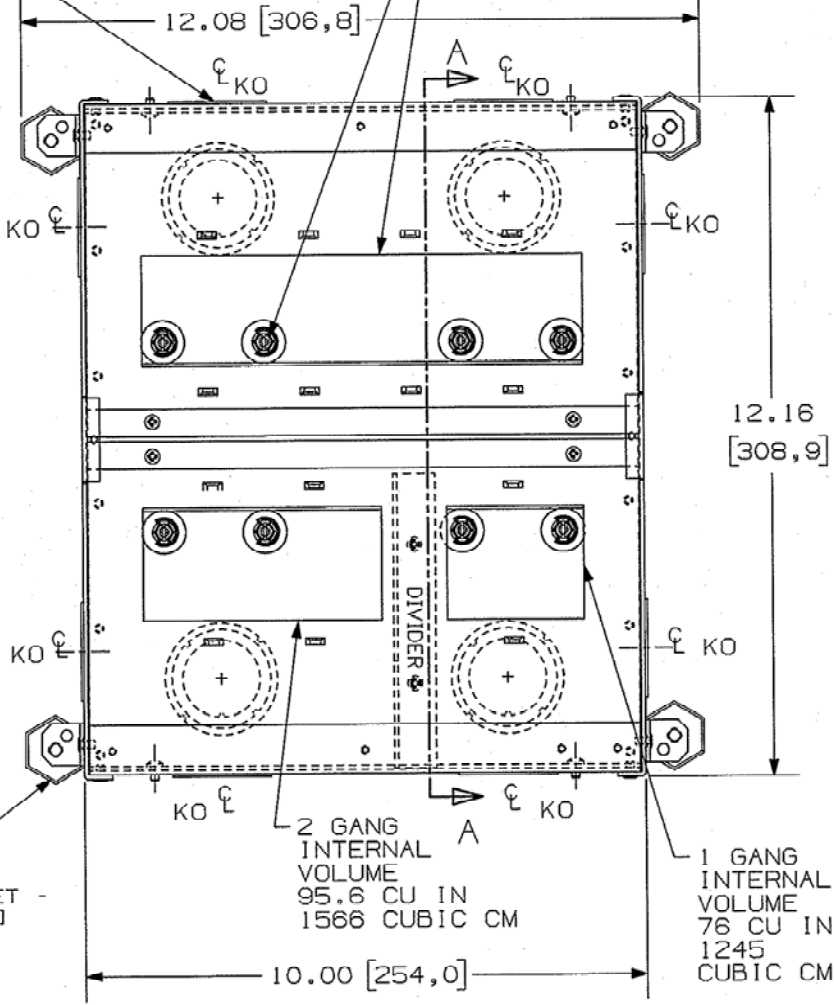
M-11556 | 1

GROUNDING SCREWS

4 GANG INTERNAL VOLUME
172.8 CU IN
2831 CUBIC CM



SECTION A - A



- NOTES:
- 1) KNOCK OUTS (KO'S) ARE SYMMETRICAL ABOUT THE BOX
 - 2) ACCEPTS STANDARD SIZE WALL PLATES - 1, 2, & 4 GANG. SOLD SEPARATELY.
 - 3) TEMPORARY COVER NOT SHOWN.
.12 [3,0] THK. X 10.5 [266,7] X 12.5 [315,5]
 - 4) ALL DIMENSIONS ARE IN INCHES AND [MILLIMETERS]
 - 5) DIVIDER IS REMOVABLE.

LIST OF PARTS		
DESCRIPTION	MATERIAL	FINISH
FLOOR BOX	STEEL	ZINC
DIVIDER	STEEL	ZINC
MOUNTING BRACKETS	STEEL	ZINC
LEVELING FEET	STEEL	ZINC
TEMPORARY COVER (NOT SHOWN)	STEEL	ZINC
FASTENERS	STEEL	ZINC

REVISIONS			
NO.	DESCRIPTION	DATE	BY
1	RELEASED PER DCN16595	3/9/10	

THE DESIGN AND DIMENSIONS OF THE PRODUCT SHOWN ON THIS DRAWING ARE SUBJECT TO CHANGE WITHOUT NOTICE

TITLE RECESSED FLOOR BOX
6 IN DEEP, 7 GANG

TOLERANCES UNLESS OTHERWISE SPECIFIED FRACTIONS ±1/64 DECIMALS ±.005 ANGLES ±2°	WIRING DEVICE-KELLENS HUBBELL INCORPORATED BRIDGEPORT, CT	
	DR. BY SRE	APP. BY [Signature]
	TR. BY [Signature]	SCALE 1:2 CHK'D BY [Signature] DATE 3/9/10