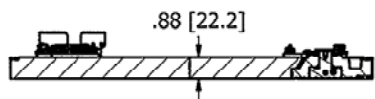
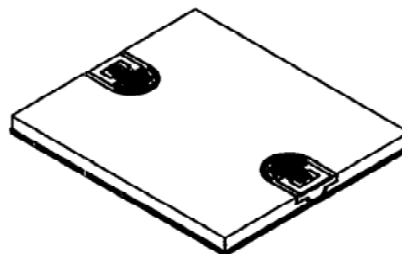


M-11567

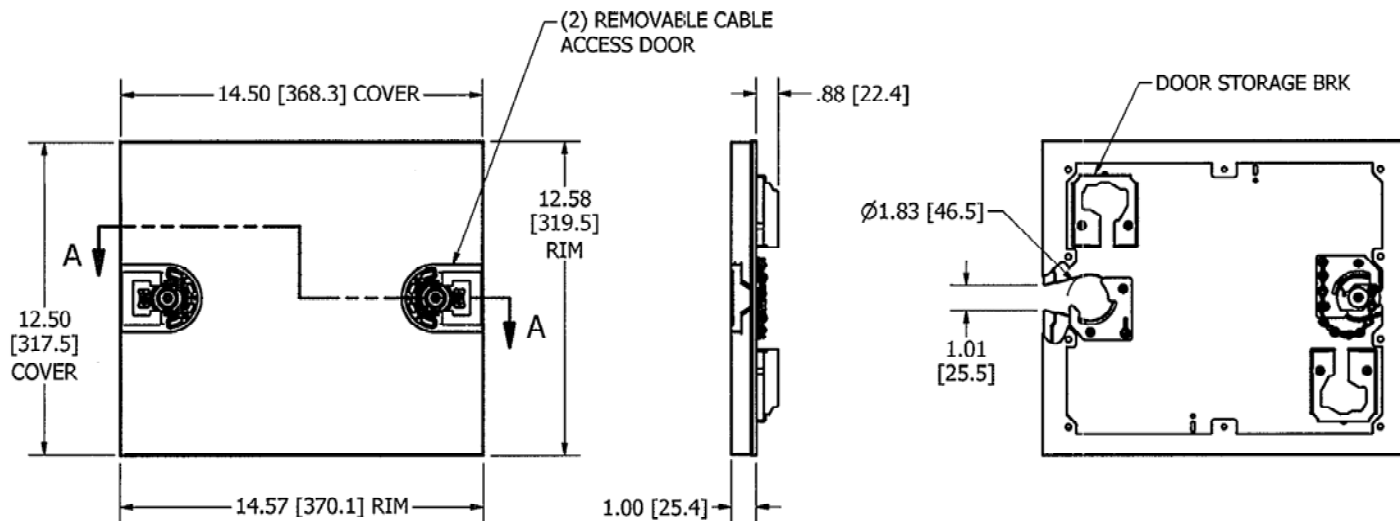
2



SECTION A-A  
SCALE 1/5  
RIM NOT SHOWN



ISOMETRIC



NOTES:

1. ALL DIMENSIONS ARE IN INCHES AND [MILLIMETERS].
2. COMPLIES WITH UL 514A.
3. COVER LOAD CAPACITY: 20,000 LB. WITH 2X SAFETY FACTOR
4. COMPATIBLE WITH CFB8FC2 FLOOR BOX ONLY, SOLD SEPARATELY.

LIST OF PARTS

DESCRIPTION	MATERIAL	FINISH
COVER	ALUMINUM	
RIM	STEEL	ZINC
GASKETS	ELASTOMER	
ACCESS DOORS	METAL	NICKEL
STORAGE BRACKETS	STEEL	ZINC
FASTENERS	STEEL	ZINC
CHAINS	STEEL	OXIDE

DIMENSION SHEET FOR CMT. NO. CFB8CVRALU2

REPAIRABLE  NON-REPAIRABLE

B

M-11567

2

2	TITLE REVISED PER DCN19127	SBW	10/2/12
1	INITIAL RELEASE PER DCN18661	SBW	3/5/12
SYM	DESCRIPTION	APP	DATE

THE DESIGN AND DIMENSIONS OF THE PRODUCT SHOWN ON THIS DRAWING ARE SUBJECT TO CHANGE WITHOUT NOTICE

TITLE  
CABLE ACCESS COVER FOR USE WITH  
8 GANG CONFIGURABLE FLOOR BOX  
CFB8FC2

TOLERANCES UNLESS OTHERWISE SPECIFIED		WIRING DEVICE-KELLEMS HUBBELL INCORPORATED SHELTON, CT.	
.XX = ± .01	.XXX = ± .005	DR. BY	SCALE 1/5
ANGLES = ± 2°		TR. BY	DATE 3/5/2012
CHK'D BY	SM	APP. BY	