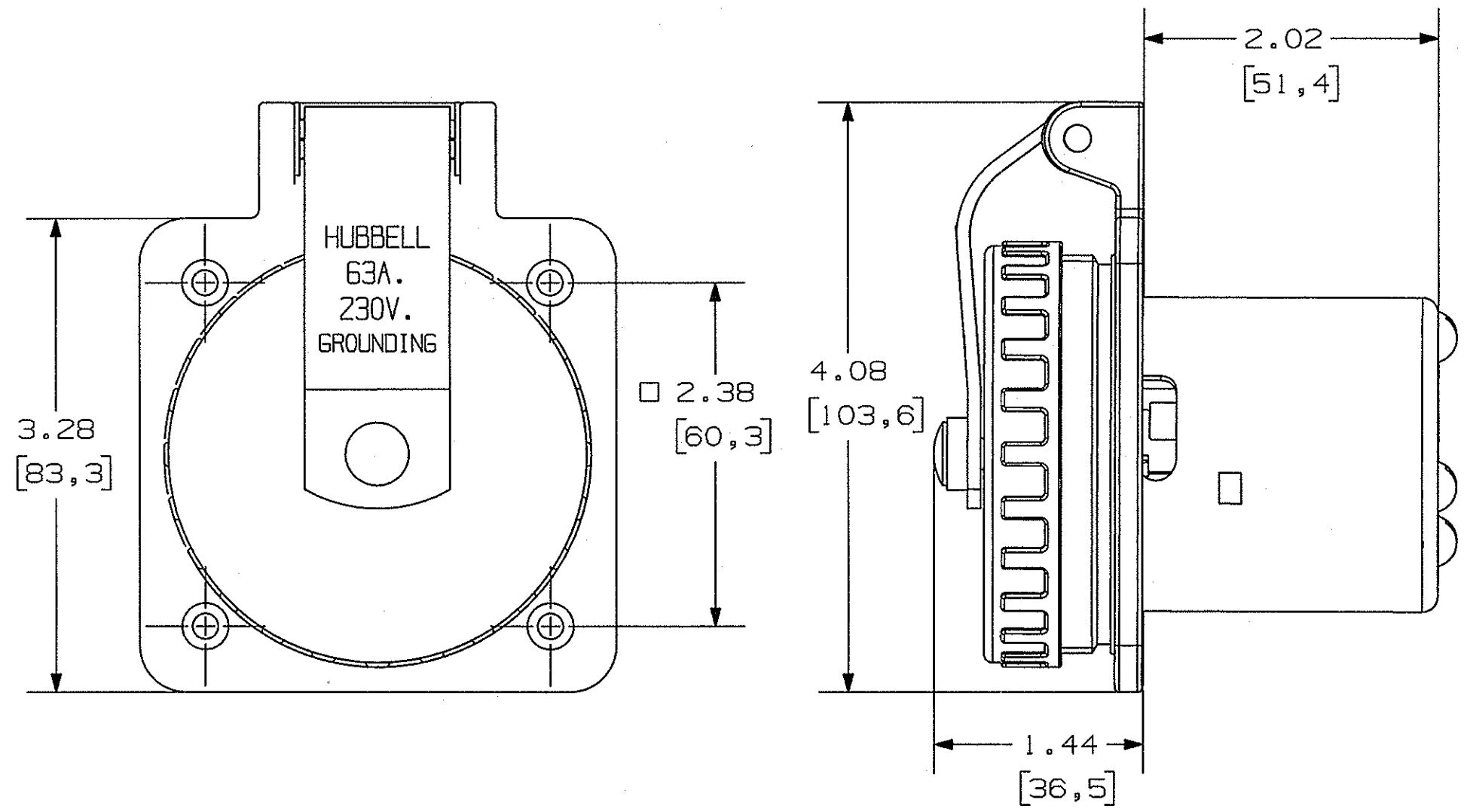


M11743 1



NOTES: (UNLESS OTHERWISE SPECIFIED)
 1. DIMENSIONS ARE INCHES [mm]

LIST OF PARTS		
DESCRIPTION	MATERIAL	FINISH
INLET COVER & FLANGE ASSY	ST. STEEL	
BLADE HOLDER	PHENOLIC	
BASE	PHENOLIC	
BLADES	BRASS	NICKEL PLATE
INTERIOR SCREWS	ST. STEEL	
MOUNTING SCREWS	BRASS	CHROME
GASKETS	NEOPRENE	
TERMINAL (G)	COPPER	GREEN FINISH
TERMINAL (L)	COPPER	BLACK DYE
TERMINAL (N)	COPPER	NICKEL PLATE

DIMENSION SHEET FOR CAT. NO. **M11743**
 REPAIRABLE NON-REPAIRABLE

1	RELEASE PER DCN #16965, DLI	DLI	10/19/10
SYM	REVISIONS	APP	DATE

THE DESIGN AND DIMENSIONS OF THE PRODUCT SHOWN ON THIS DRAWING ARE SUBJECT TO CHANGE WITHOUT NOTICE

TITLE	
STAINLESS STEEL 63A SHORE POWER MARINE INLET	
TOLERANCES UNLESS OTHERWISE SPECIFIED	WIRING DEVICE-KELLEMS HUBBELL INCORPORATED BRIDGEPORT, CT
FRACTIONS ± 1/64	DR. BY DLI
DECIMALS ± .005	APP. BY
ANGLES ± 2°	TR. BY
	SCALE NONE
CHK'D BY	DATE 09/15/10

CAT. No.	CONFIGURATION	WIRING TERMINAL VIEW	RATING
HBL363SSX			63A 230V. 2-POLE 3-WIRE

CUTOUT OPENING (FULL SCALE)
 CODE 74545