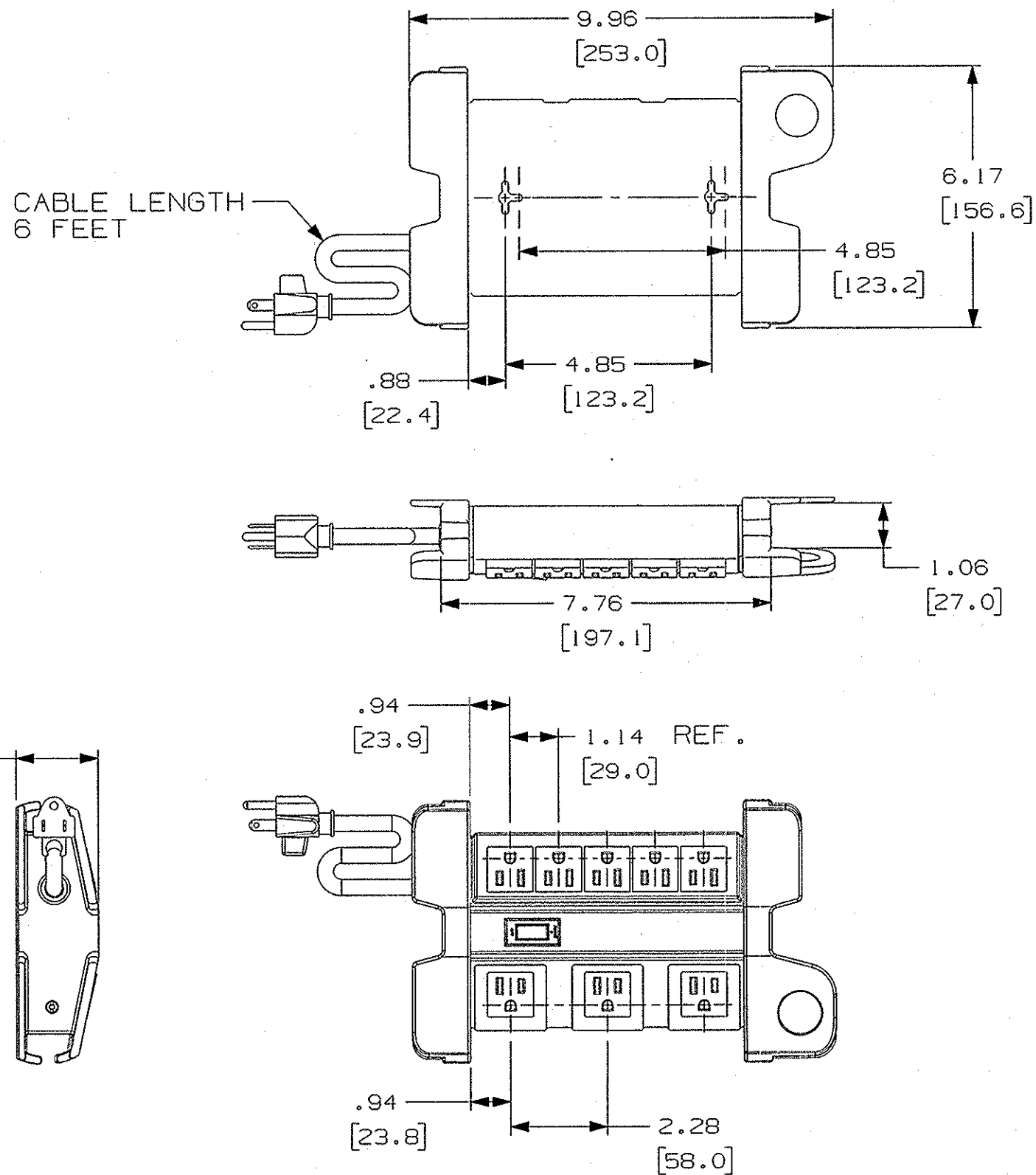


M-11891 | 1



LIST OF PARTS

DESCRIPTION	MATERIAL	FINISH
BASE	PLASTIC	YELLOW

DIMENSION SHEET FOR CAT. NO. HBL8PS350YL
REPAIRABLE NON-REPAIRABLE

1	RELEASED TO PRODUCTION PER DCN 17528	SL	3-10-11
SYM	REVISIONS	APP	DATE

THE DESIGN AND DIMENSIONS OF THE PRODUCT SHOWN ON THIS DRAWING ARE SUBJECT TO CHANGE WITHOUT NOTICE

TITLE
SPD WITH CORD MANAGEMENT

TOLERANCES UNLESS OTHERWISE SPECIFIED		WIRING DEVICE-KELLEMS HUBBELL INCORPORATED BRIDGEPORT, CT	
FRACTIONS	±1/64	DR. BY	DMP
DECIMALS	±.005	APP. BY	SL
ANGLES	±2°	TR. BY	SCALE
		CHK'D BY	DATE 3-10-11

M-11891 | 1

- NOTES: (UNLESS OTHERWISE SPECIFIED)
- 1) ALL DIMENSIONS ARE IN INCHES [mm].
 - 2) UL/c UL LISTED.
 - 3) ELECTRICAL RATINGS: 15A, 125V, 1875W.
 - 4) ON/OFF MASTER SWITCH WITH BUILT-IN CIRCUIT BREAKER.
 - 5) UL VOLTAGE PROTECTION LEVEL: 400V. (L-N)
 - 6) I_{nom.} : 6kV, 3kA.
 - 7) JOULE RATING: 350J.