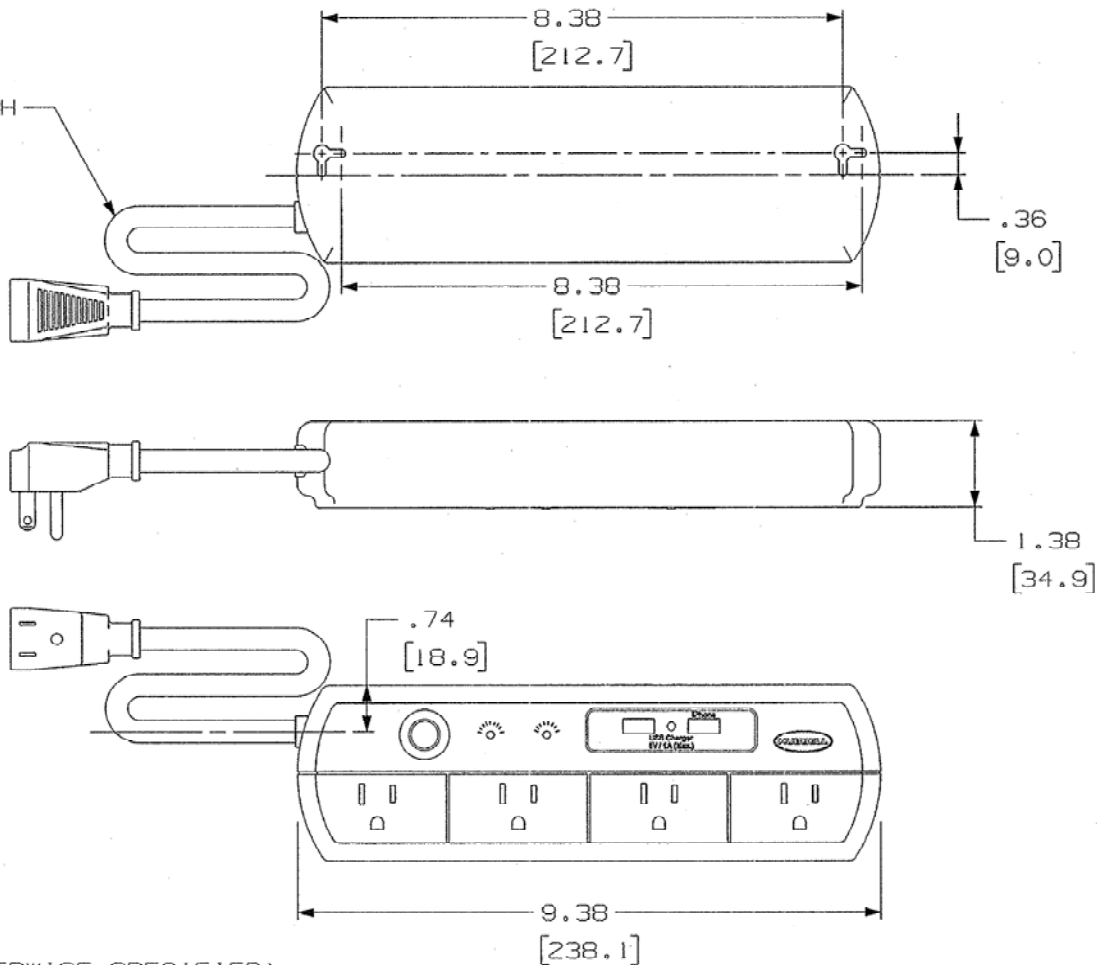


M-11893 1

CABLE LENGTH
6 FEET



NOTES: (UNLESS OTHERWISE SPECIFIED)

- 1) ALL DIMENSIONS ARE IN INCHES [mm].
- 2) UL/c UL LISTED.
- 3) ELECTRICAL RATINGS: 15A, 125V, 1875W.
- 4) ON/OFF MASTER SWITCH WITH BUILT-IN CIRCUIT BREAKER.
- 5) USB CHARGE PORTS PROVIDED
- 6) UL VOLTAGE PROTECTION LEVEL: 400V. (L-N)
- 7) I_{nom.} : 6kV, 3kA.
- 8) JOULE RATING: 1050J.

CODE 74545

LIST OF PARTS

DESCRIPTION	MATERIAL	FINISH

DIMENSION SHEET FOR CAT. NO. HBL 4PS 1050USB
SEE TABLE

REPAIRABLE NON-REPAIRABLE

B

M-11893

1

1	RELEASED TO PRODUCTION PER DCN 17528	SL	3-10-11
SYM	REVISIONS	APP	DATE

THE DESIGN AND DIMENSIONS OF THE PRODUCT SHOWN ON THIS DRAWING ARE SUBJECT TO CHANGE WITHOUT NOTICE

TITLE
SPD WITH USB CHARGE PORTS

TOLERANCES UNLESS OTHERWISE SPECIFIED FRACTIONS ±1/64 DECIMALS ±.005 ANGLES ±2°	WIRING DEVICE-KELLEMS HUBBELL INCORPORATED BRIDGEPORT, CT	
	DR. BY DMP	APP. BY SL
	TR. BY	SCALE
CHK'D BY	DATE 3-10-11	