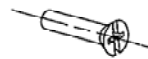
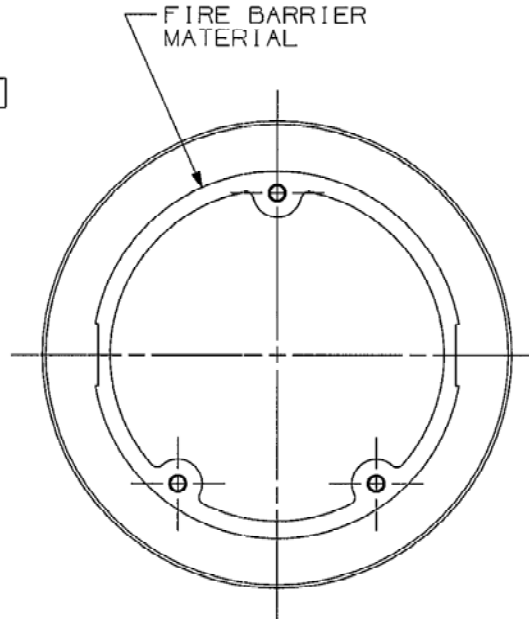
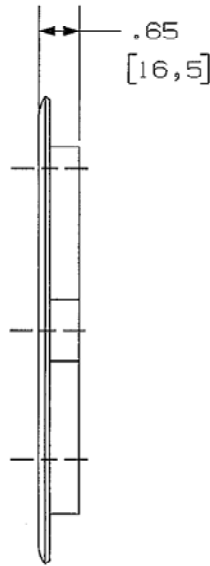
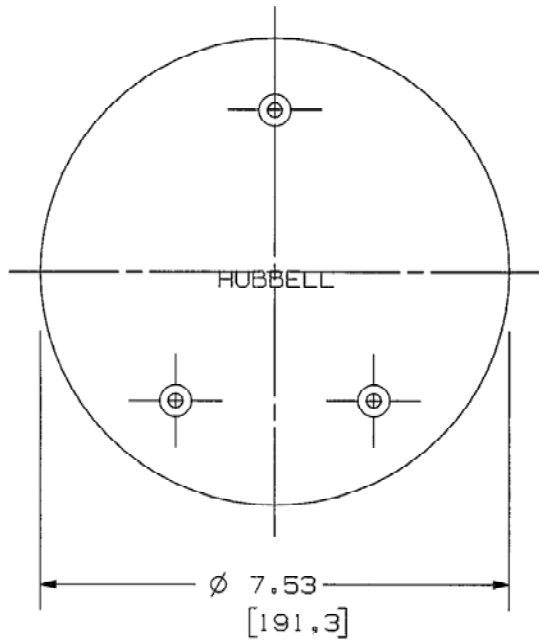


M-11922 2



MOUNTING SCREWS

- NOTES:
 1) ALL DIMENSIONS ARE IN INCHES AND (MILLIMETERS)
 2) (3) MOUNTING SCREWS SHIPPED LOOSELY.

CODE 74545

LIST OF PARTS		
DESCRIPTION	MATERIAL	FINISH
ABANDONMENT PLATE	ALUMINUM	BLACK
MOUNTING SCREWS	STEEL	ZINC
SPACER	FIRE BAR. MATL.	BLACK

2	ADDED FIRE BARRIER MATL., .65 DIM WAS .22. DCN18755 SRE	m	4/13/12
1	RELEASED PER DCN18435		12/14/11
SYM	REVISIONS	APP	DATE

THE DESIGN AND DIMENSIONS OF THE PRODUCT SHOWN ON THIS DRAWING ARE SUBJECT TO CHANGE WITHOUT NOTICE

TITLE
 ABANDONMENT PLATE, 6 INCH,
 FIRE RATED POKE THROUGH

TOLERANCES UNLESS OTHERWISE SPECIFIED .XX = ±.01 .XXX = ±.005 ANGLES = ±2°	WIRING DEVICE-KELLEMS HUBBELL INCORPORATED SHELTON, CT	
	DR. BY SRE	APP. BY m
	TR. BY	SCALE 1:2
	CHK. BY m	DATE 6/14/11

DIMENSION SHEET FOR CAT. NO. S16ADMTRBK REPAIRABLE NON-REPAIRABLE B M-11922 2