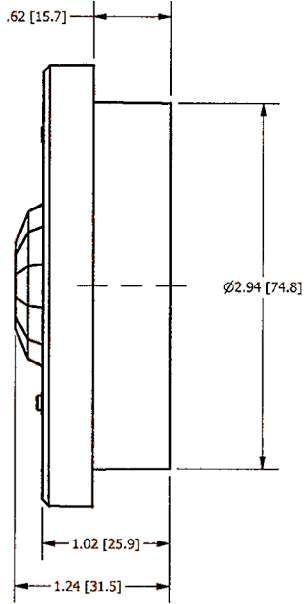
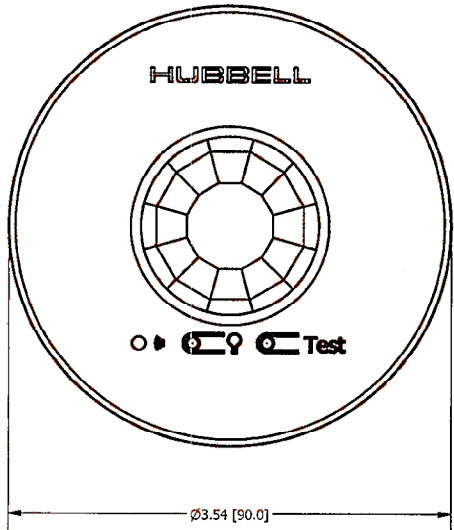


M-12148      1



- NOTES: (UNLESS OTHERWISE SPECIFIED)
1. ALL DIMENSIONS ARE IN INCHES [mm].
  2. CONTROL TYPE: OCCUPANCY - ON / VACANCY - OFF, MANUAL ON OR AUTO OFF.
  3. OPERATING POWER SOURCE: 3 VDC 14  $\mu$ A.
  4. OPERATING FREQUENCY: 434 MHz.
  5. ENVIRONMENT: FOR INDOOR USE ONLY, TEMP. 32 °F ~ 104 °F (0 °C ~ 40 °C).
  6. MULTIPLE SENSORS CAN BE ADDED FOR EXTENDED COVERAGE.

LIST OF PARTS		
DESCRIPTION	MATERIAL	FINISH
TOP	POLYESTER	
BOTTOM	POLYESTER	
MOUNTING BRACKET	POLYESTER	
PCB	EPOXY RESIN	
SCREWS	STEEL	Zn PLATE

1	NEW RELEASE PER DCN #18801	DL	4/18/12
SYM	DESCRIPTION	APPRO	DATE

THE DESIGN AND DIMENSIONS OF THE PRODUCT SHOWN ON THIS DRAWING ARE SUBJECT TO CHANGE WITHOUT NOTICE

TITLE WIRELESS OCCUPANCY/VACANCY SENSOR, CEILING MOUNT

TOLERANCES UNLESS OTHERWISE SPECIFIED FRACTIONS $\pm 1/64$ DECIMALS $\pm .005$ ANGLES $\pm 2'$	WIRING DEVICE-KELLEMS HUBBELL INCORPORATED SHELTON, CT		
	DR. BY	DL	APP. BY <i>SJA</i>
	TR. BY	SCALE	1:1
	CHK'D BY <i>SJA</i>	DATE	1/17/2012