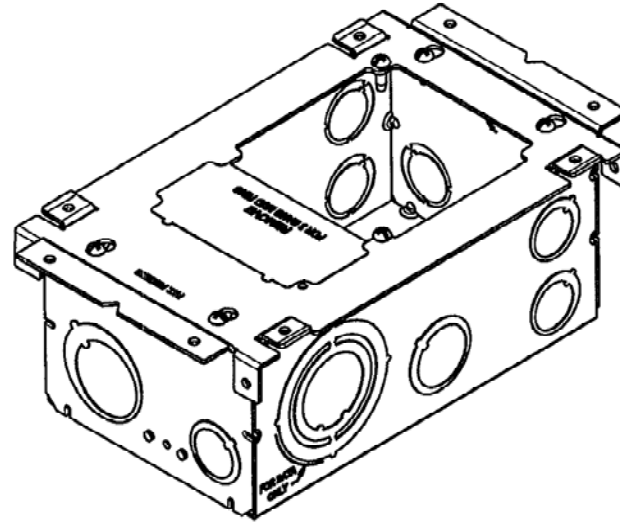
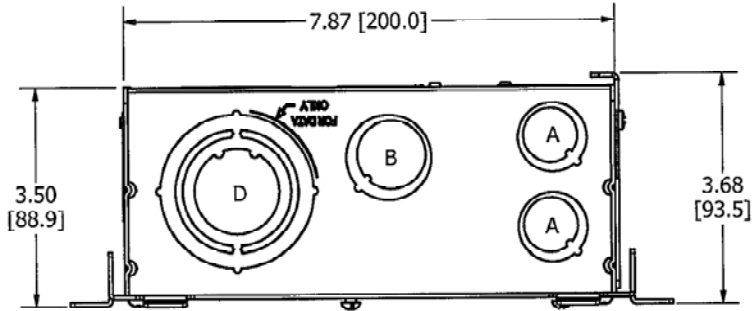
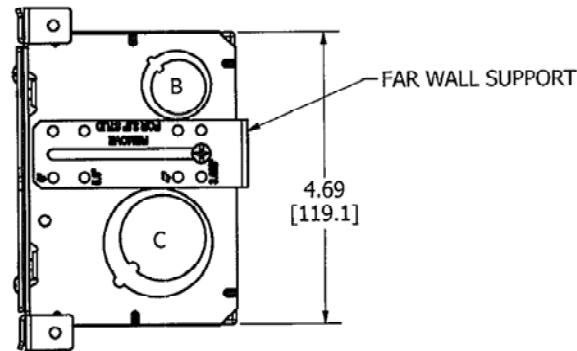
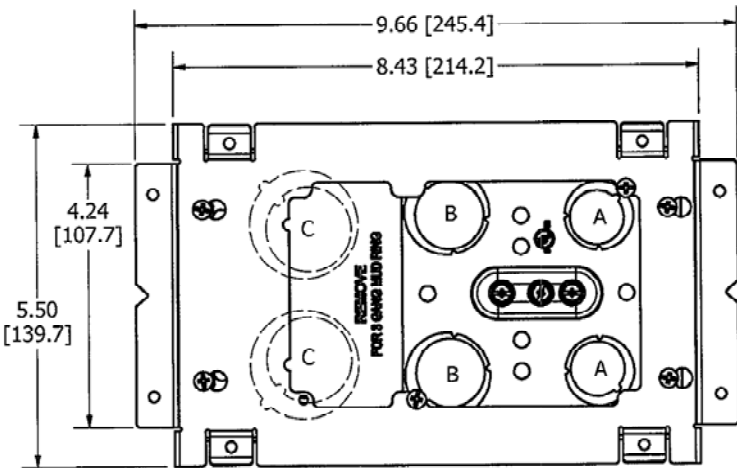


M-12287

1



HBL263



NOTES:

1. ALL DIMENSIONS ARE IN INCHES AND [MILLIMETERS].
2. ACCEPTS STANDARD 4 INCH [101.6] SQUARE COVERS FOR 1 AND 2 GANG USE, SOLD SEPARATELY.
3. ACCEPTS 4 INCH [101.6] X 5-13/16 INCH [147.6] COVERS FOR 3 GANG USE, SOLD SEPARATELY.
4. ACCEPTS HBL981 VOLTAGE PARTITION, SOLD SEPARATELY.
5. VOLUME: 113.3 IN³ [1856 CM³].
6. cULus LISTED.
7. GROUND SCREWS PROVIDED.
8. FAR WALL SUPPORT INCLUDED. ADJUSTABLE RANGE: 3.63 [92.1] TO 6.00 [152.4]

LABEL	KNOCKOUT TRADE SIZE	QUANTITY & LOCATION
A	1/2", 3/4" ECCENTRIC	2 - BACK, 4 - SIDES
B	3/4", 1", ECCENTRIC	2 - BACK, 4 - SIDES
C	1", 1 1/4" ECCENTRIC	2 - BACK, 2 - SIDES
D	1", 1 1/4, 1 1/2", 2" CONCENTRIC	2 - SIDES

LIST OF PARTS		
DESCRIPTION	MATERIAL	FINISH
BOX ASSEMBLY	STEEL	GALVANIZED

1	INITIAL RELEASE DCN19068	SBW	10/12/12
SYM	DESCRIPTION	APP	DATE

1	INITIAL RELEASE DCN19068	SBW	10/12/12
SYM	DESCRIPTION	APP	DATE

THE DESIGN AND DIMENSIONS OF THE PRODUCT SHOWN ON THIS DRAWING ARE SUBJECT TO CHANGE WITHOUT NOTICE

TITLE
LARGE CAPACITY WALL BOX
1, 2, OR 3 GANG CONFIGURABLE

TOLERANCES UNLESS OTHERWISE SPECIFIED	WIRING DEVICE-KELLEMS HUBBELL INCORPORATED SHELTON, CT.		
.XX = ± .01	DR. BY	SBW	APP. BY SM
.XXX = ± .005	TR. BY	SCALE 1/2	
ANGLES = ± 2°	CHK'D BY	DATE	10/12/2012