

SEE NOTES

REPAIRABLE NON-REPAIRABLE

B

M-12333

1

LIST OF PARTS

DESCRIPTION	MATERIAL	FINISH
ENCLOSURE & HARDWARE	STAINLESS STEEL	
HANDLE & MOUNT	PBT	
GASKET	EPDM FOAM	
CONDUIT HUB	ZINC	

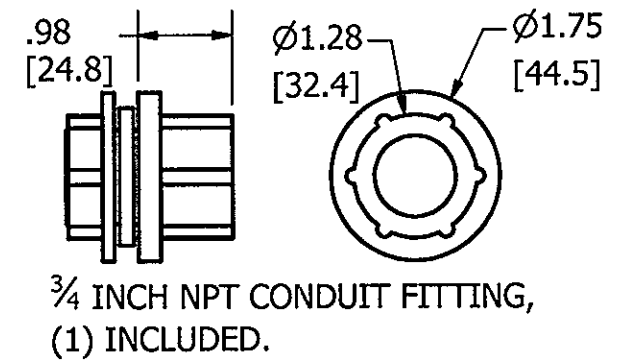
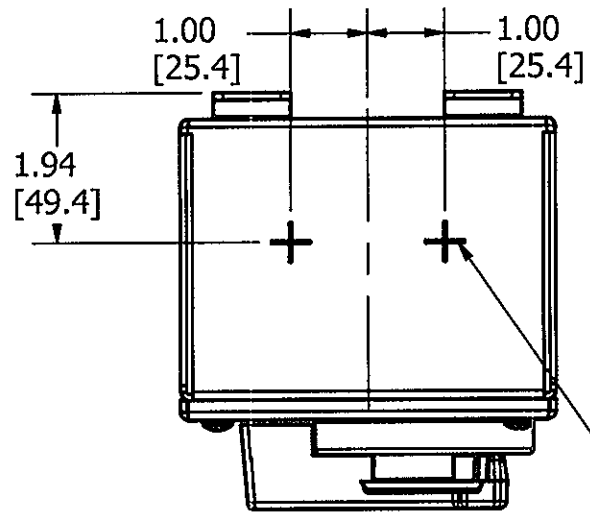
1	RELEASED PER DCN# 19082 MAM	TLS M3	10/18/1 2
SYM	DESCRIPTION	APPROVED	DATE

THE DESIGN AND DIMENSIONS OF THE PRODUCT SHOWN ON THIS DRAWING ARE SUBJECT TO CHANGE WITHOUT NOTICE

TITLE
MOTORQUICK™ LINKOSITY™ STAINLESS STEEL ENCL. TYPE 4 CIRCUIT-LOCK™ 30 AMP DISCONNECT SWITCH, POWER IN & POWER OUT

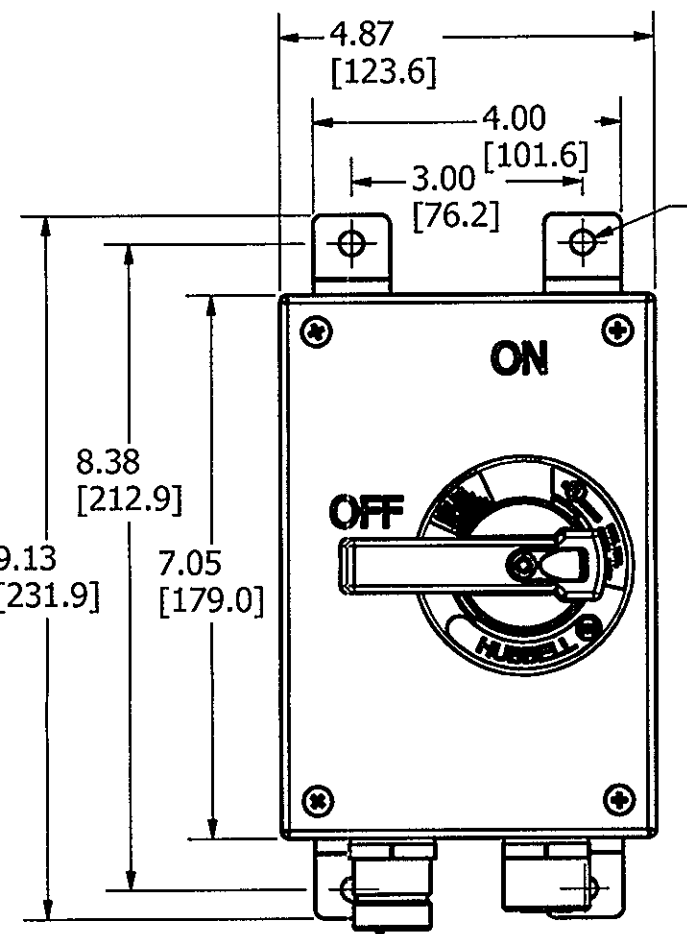
TOLERANCES UNLESS OTHERWISE SPECIFIED		WIRING DEVICE-KELLEMS HUBBELL INCORPORATED SHELTON, CT	
FRACTIONS	±1/64	DR. BY	MAM
DECIMALS	±.005	APP. BY	TLS
ANGLES	±2°	TR. BY	MAM
		SCALE	NONE
		CHK'D BY	MJZ
		DATE	10/18/2012

M-12333 1



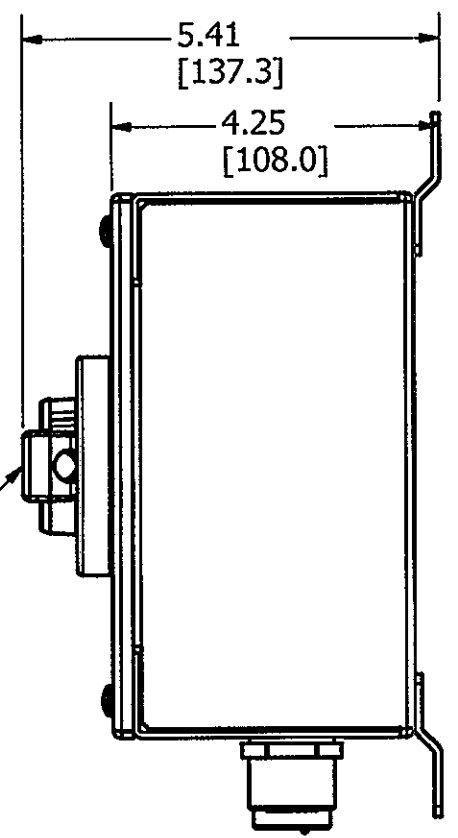
¾ INCH NPT CONDUIT FITTING, (1) INCLUDED.

DRILL SPOTS FOR ¾" NPT CONDUIT FITTING, (4) PLACES. PROVISION FOR TOP & BACK FEED. INSTALLER TO DRILL OR PUNCH Ø1.11 INCH (Ø28.2 mm) HOLE FOR CONDUIT FITTING.

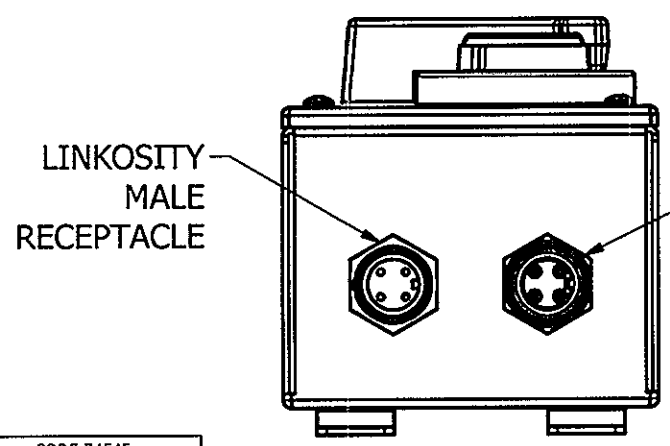
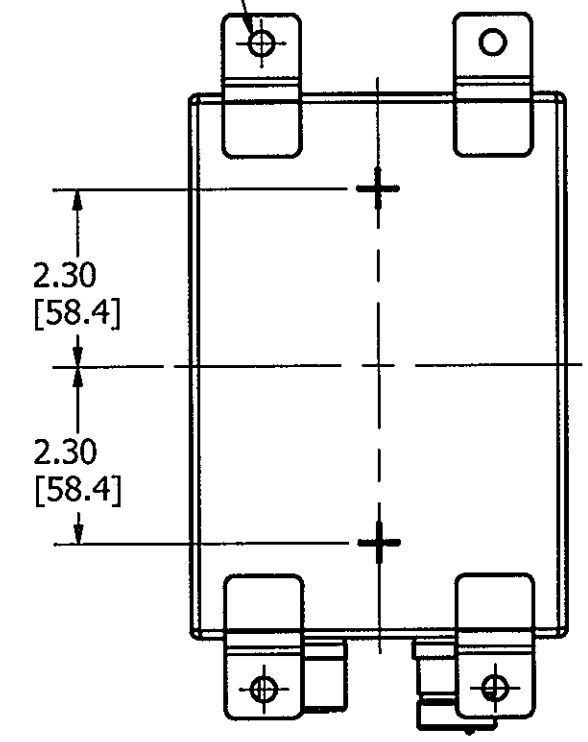


4X Ø.31 [7.9]

LOCKABLE SWITCH HANDLE (OFF POSITION ONLY)



HOLES ACCEPT ¼" DIA SCREWS MAX



LINKOSITY MALE RECEPTACLE

LINKOSITY FEMALE RECEPTACLE

- NOTES:
 1. DIMENSIONS SHOWN ARE IN INCHES [mm].
 2. ENCLOSURE TYPE 4X & 12.
 3. CULUS LISTED.

30A 600V A.C. RATINGS		
CATALOG #	TERM. MAX. CAP. & WIRE INF	TERMINAL TORQUE
HBLDS3SSMQR2	#10 AWG Cu WIRE ONLY	12 in-lbs [1.5 Nm]

30A 600V A.C. RATINGS	
HP	VOLTAGE
1 HP	120V AC 1 Ø
3 HP	200-240V AC 1 Ø
5 HP	480V AC 1 Ø
7.5 HP	200-240V AC 3 Ø
15 HP	480V AC 3 Ø
15 HP	600V AC 3 Ø