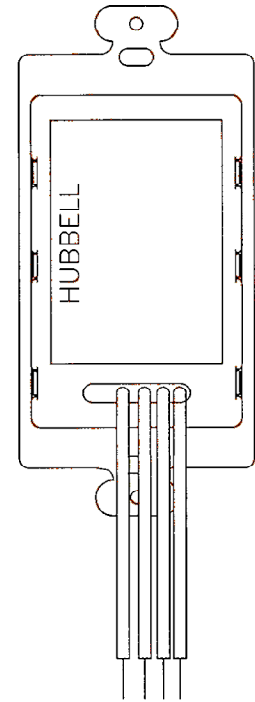
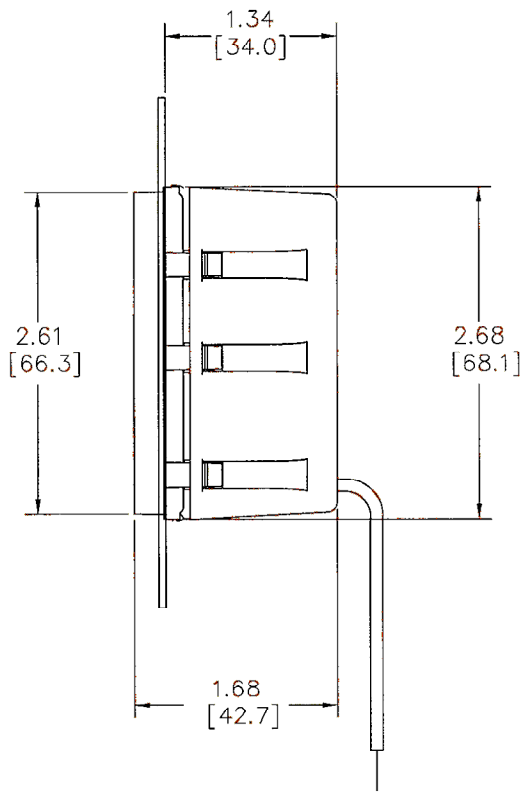
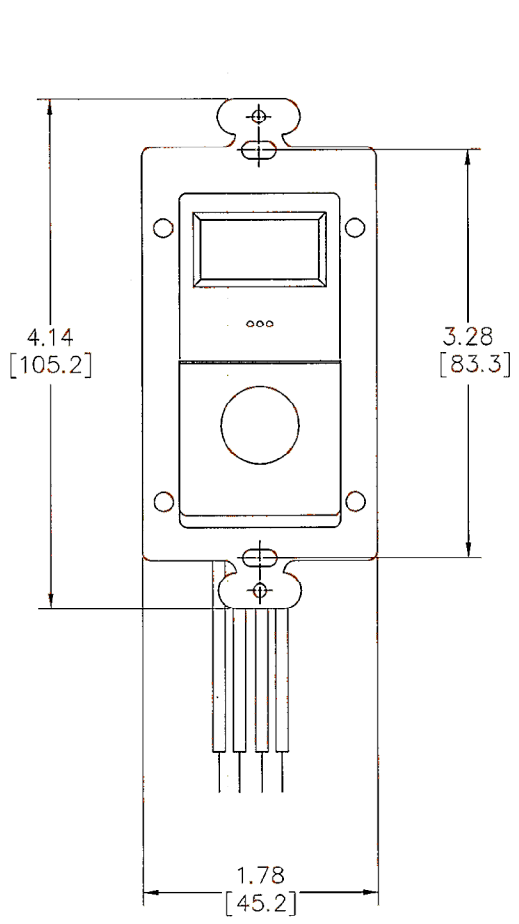


M-12459 1



NOTES:  
1. DIMENSIONS ARE IN INCHES  
[mm]

LIST OF PARTS		
DESCRIPTION	MATERIAL	FINISH
DIGITAL TIMER		WHITE

REPAIRABLE  NON-REPAIRABLE

*DJP*

1	NEW RELEASE PER DCN 19926 DDL	DJP	07/01/13
SYM	REVISIONS	APP	DATE

THE DESIGN AND DIMENSIONS OF THE PRODUCT SHOWN ON THIS DRAWING ARE SUBJECT TO CHANGE WITHOUT NOTICE

TITLE  
CUSTOMER DRAWING  
DIGITAL COUNTDOWN TIMER  
CAT. NO. DT2000W

<del>TOLERANCES UNLESS OTHERWISE SPECIFIED</del>		WIRING DEVICE-KELLEMS HUBBELL INCORPORATED SHELTON, CT	
.XX = ±.01	DR. BY	DDL	APP. BY
.XXX = ±.005	TR. BY		DJP
ANGLES = ±2°	CHK. BY	DJP	SCALE NONE
			DATE 07/01/13