

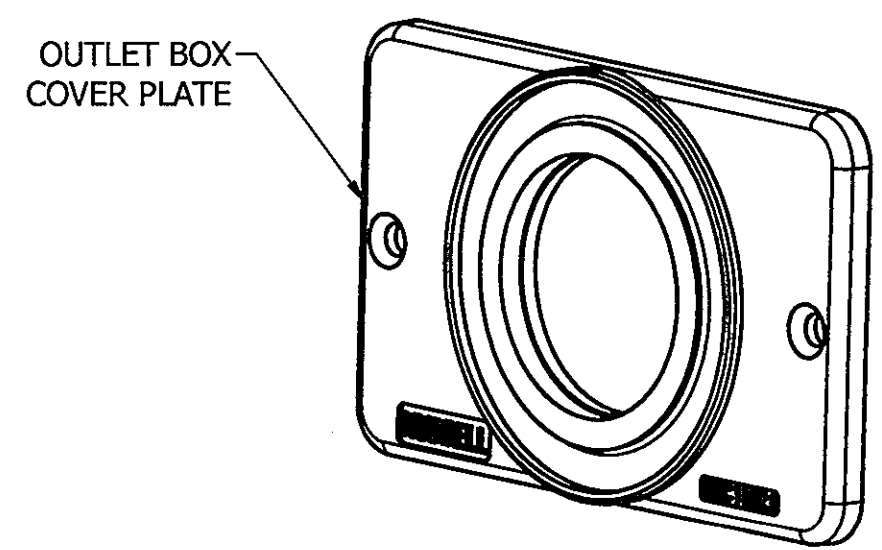
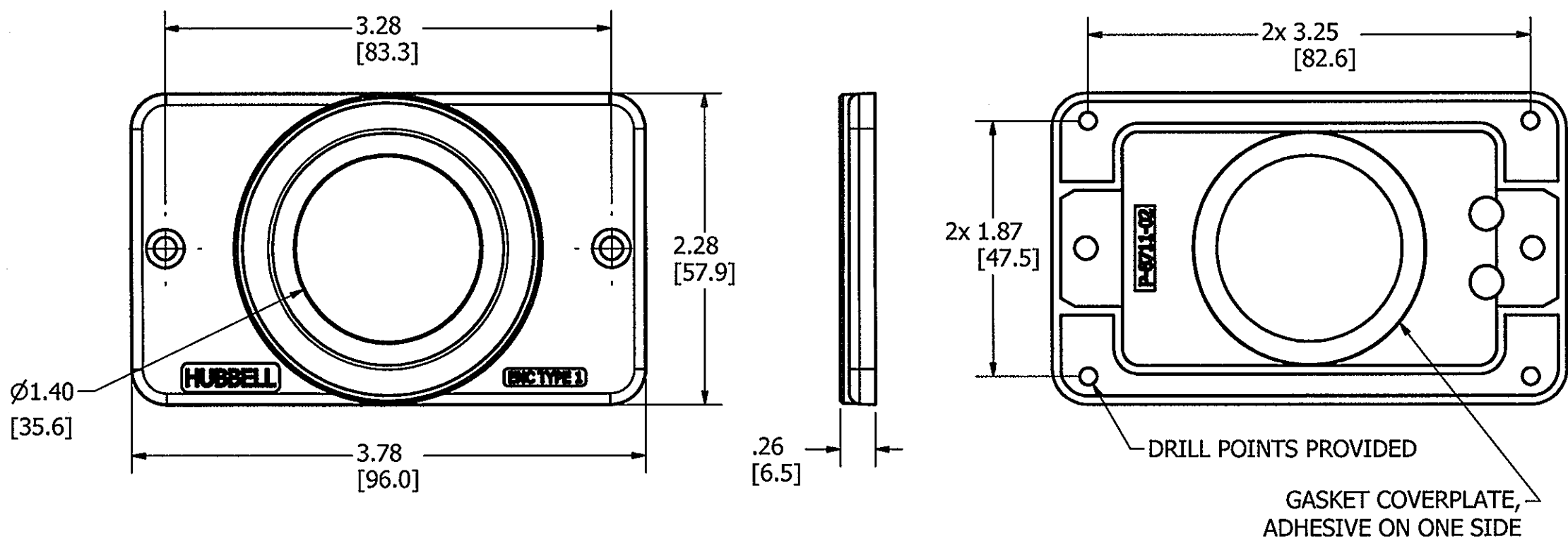
M-12477

2

LIST OF PARTS

| DESCRIPTION | MATERIAL | FINISH |
|-------------------|--------------------------------------|--------|
| COVERPLATE | VALOX | GRAY |
| GASKET COVERPLATE | CLOSE CELL SYNT. RUBBER ADH ONE SIDE | BLACK |
| | | |
| | | |
| | | |
| | | |
| | | |
| | | |

DIMENSION SHEET FOR CAT. NO. HBL 3052



REPAIRABLE NON-REPAIRABLE

| SYM | DESCRIPTION | APPRO | DATE |
|-----|---|-------------------|----------|
| 2 | 04/03/2014 UPDATED COVERPLATE AND ADDED ADH ONE SIDE GASKET PER DCN20407 EB TLS | TLS <i>TLS</i> | 4/3/2014 |
| 1 | 09/10/13 RELEASED FOR PRODUCTION PER DCN20067 EB TLS | TLS | |

B

THE DESIGN AND DIMENSIONS OF THE PRODUCT SHOWN ON THIS DRAWING ARE SUBJECT TO CHANGE WITHOUT NOTICE

TITLE OUTLET BOX PLATE 1.40" DIA. OPENING

M-12477

- NOTES:
 1. COVER PLATE RATING UL TYPE 1.
 2. ALL DIMENSIONS IN INCHES AND [MM].

| | | | |
|---------------------------------------|-------|--|----------------------|
| TOLERANCES UNLESS OTHERWISE SPECIFIED | | WIRING DEVICE-KELLEMS HUBBELL INCORPORATED SHELTON, CT | |
| FRACTIONS | ±1/64 | DR. BY <i>ebazayev</i> | APP. BY TLS |
| DECIMALS | ±.005 | TR. BY | SCALE 1:1 |
| ANGLES | ±2° | CHK'D BY TLS | DATE 9/3/2013 |

2