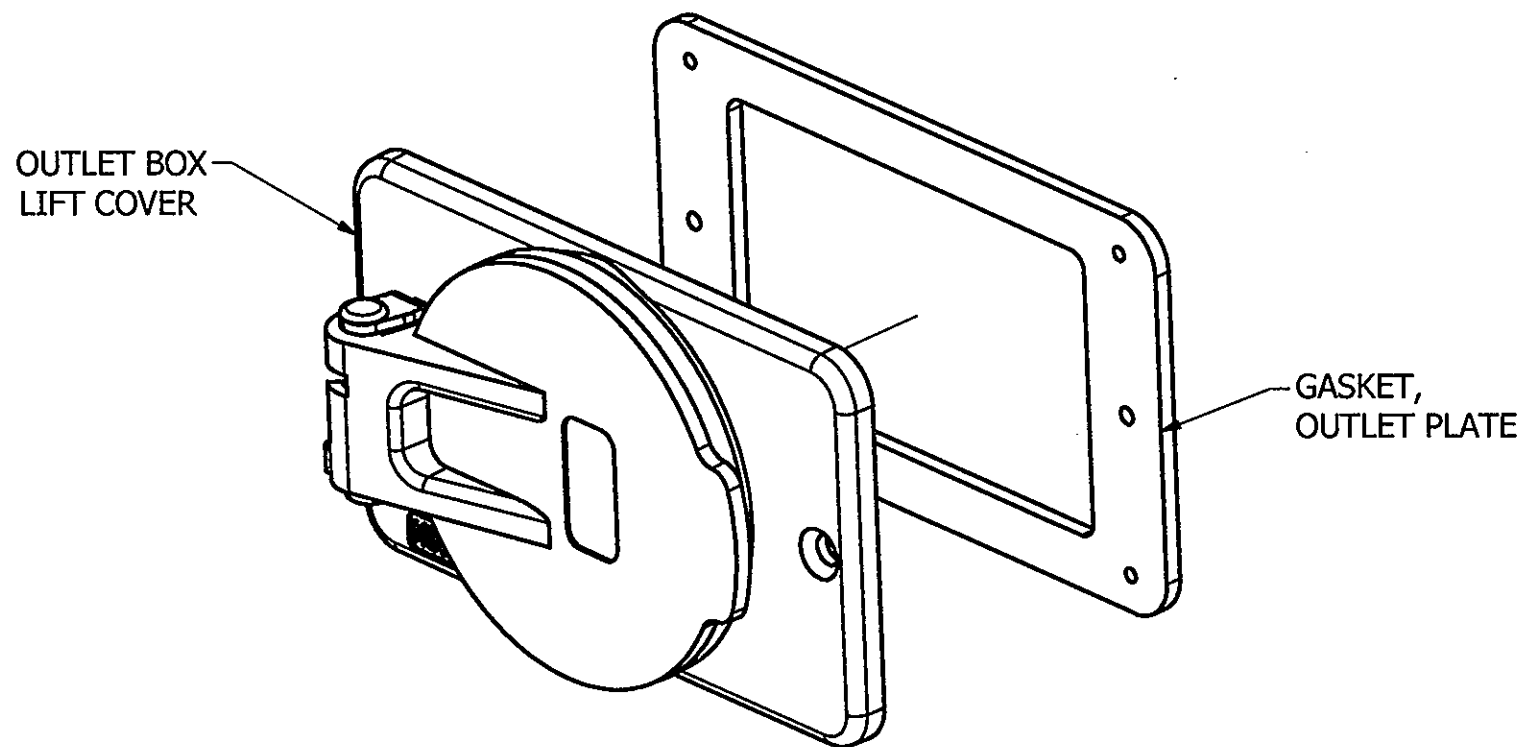
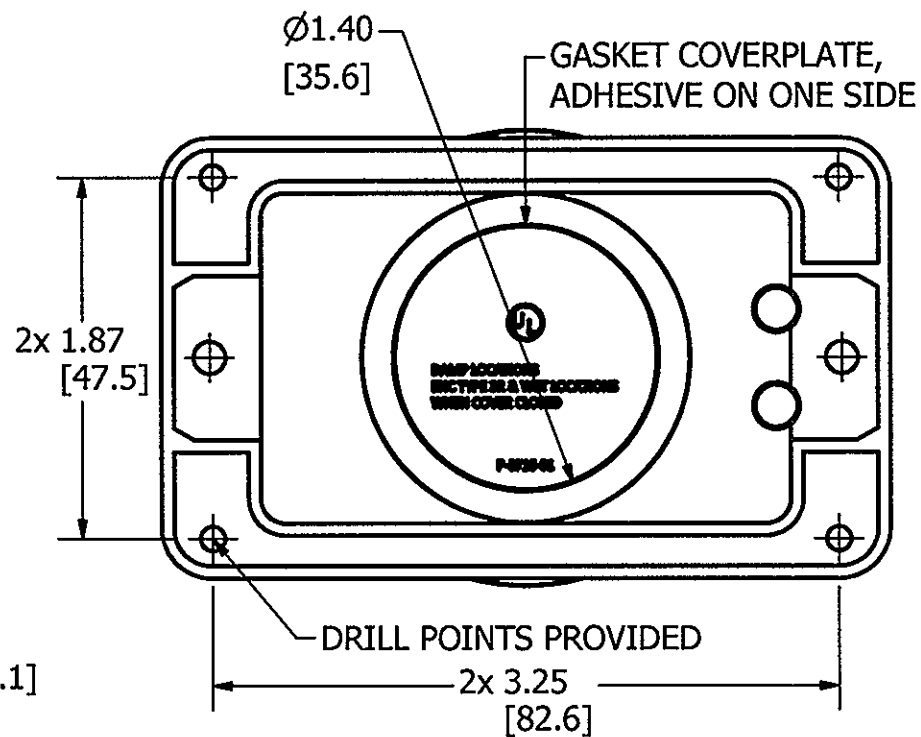
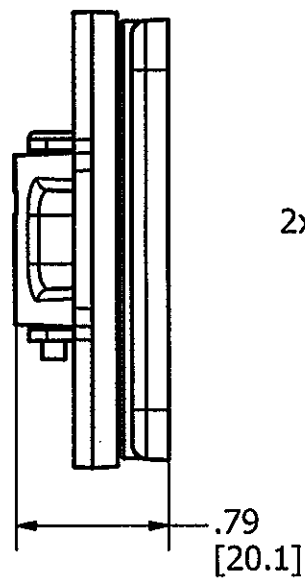
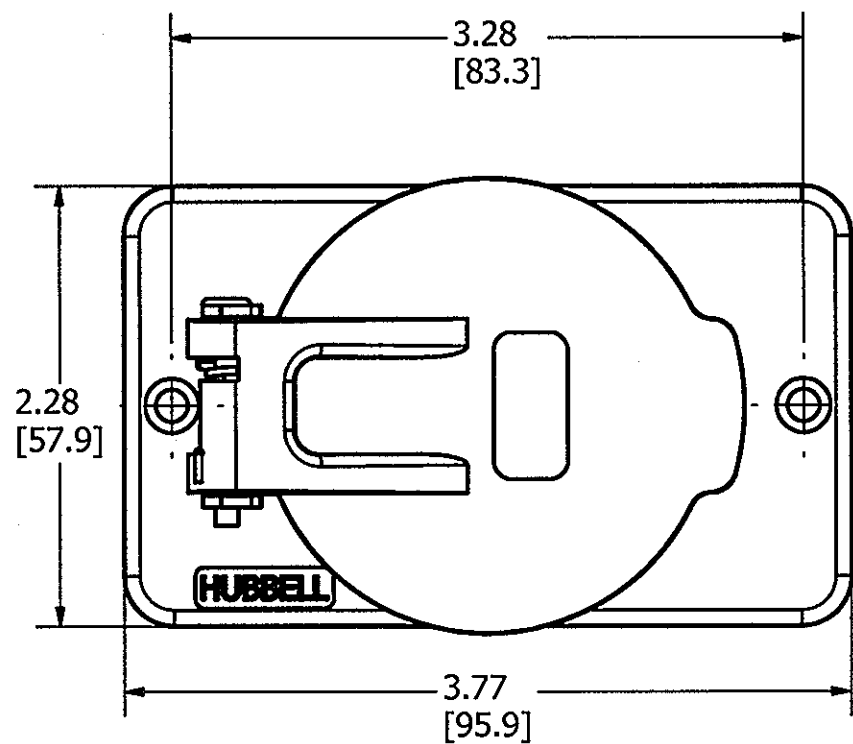


M-12482

2



- NOTES:
 1. LIFT COVER RATING UL TYPE 3R.
 2. ALL DIMENSIONS IN INCHES AND [MM].

LIST OF PARTS

DESCRIPTION	MATERIAL	FINISH
COVERPLATE	VALOX	GRAY
GASKET	CLOSE CELL SYNT. RUBBER	BLACK
LIFT COVER	VALOX	GRAY
SPRING, HINGE	STAINLESS STEEL	---
PIN, HINGE	STAINLESS STEEL	---
RIVET	BRASS	---
HINGE	STEEL	---
GASKET COVERPLATE	CLOSE CELL SYNT. RUBBER ADH ONE SIDE	BLACK

SYM	DESCRIPTION	APPRO	DATE
2	04/03/2014 UPDATED COVERPLATE AND ADDED ADH ONE SIDE GASKET PER DCN20407 EB TLS <i>TLS</i>	TLS	4/3/2014
1	09/10/13 RELEASED FOR PRODUCTION PER DCN20067 EB TLS	TLS	

THE DESIGN AND DIMENSIONS OF THE PRODUCT SHOWN ON THIS DRAWING ARE SUBJECT TO CHANGE WITHOUT NOTICE

TITLE OUTLET BOX LIFT COVER, 1.40" DIA. OPENING

TOLERANCES UNLESS OTHERWISE SPECIFIED
 FRACTIONS ±1/64
 DECIMALS ±.005
 ANGLES ±2°

WIRING DEVICE-KELLEMS
 HUBBELL INCORPORATED
 SHELTON, CT

DR. BY *ebazayev* APP. BY *TLS*
 TR. BY SCALE 1:1
 CHK'D BY *TLS* DATE 9/3/2013