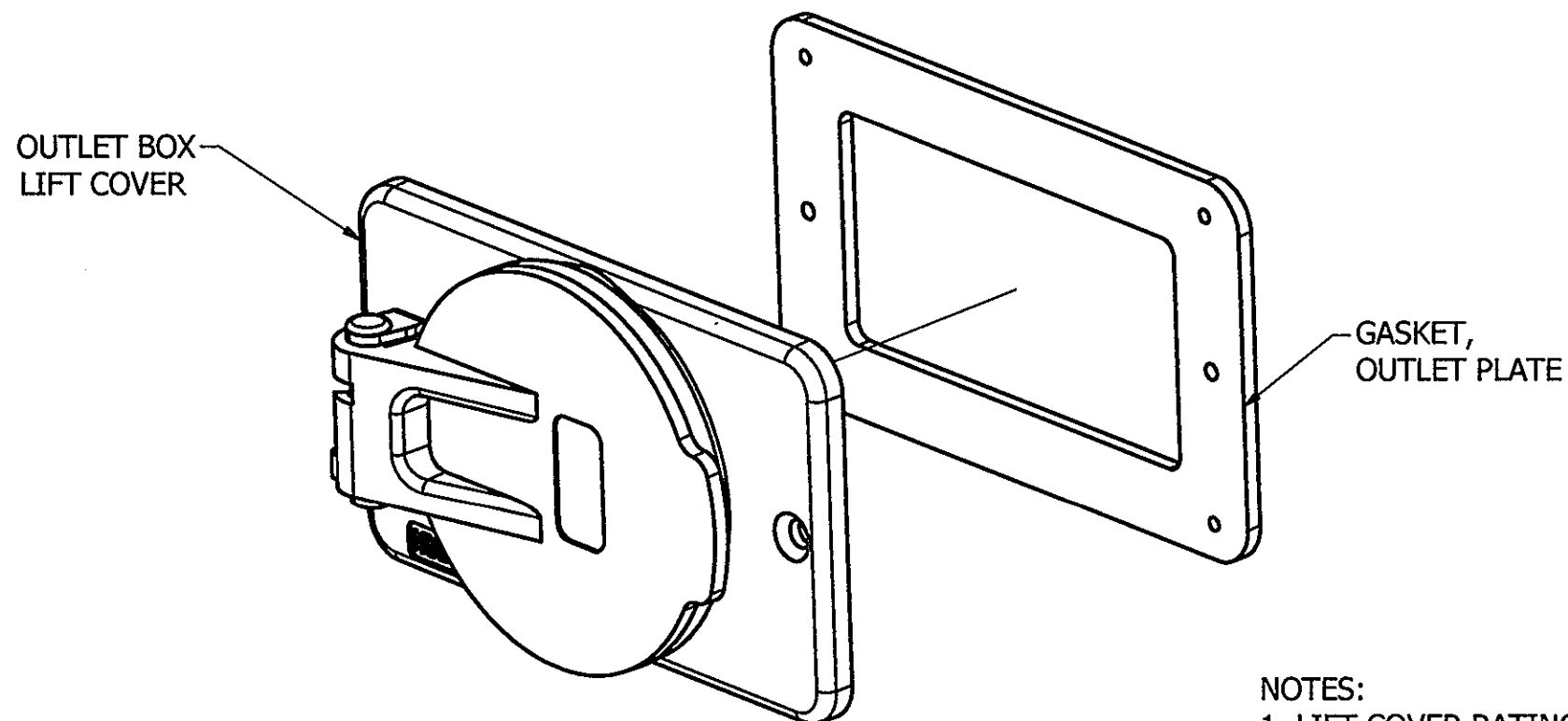
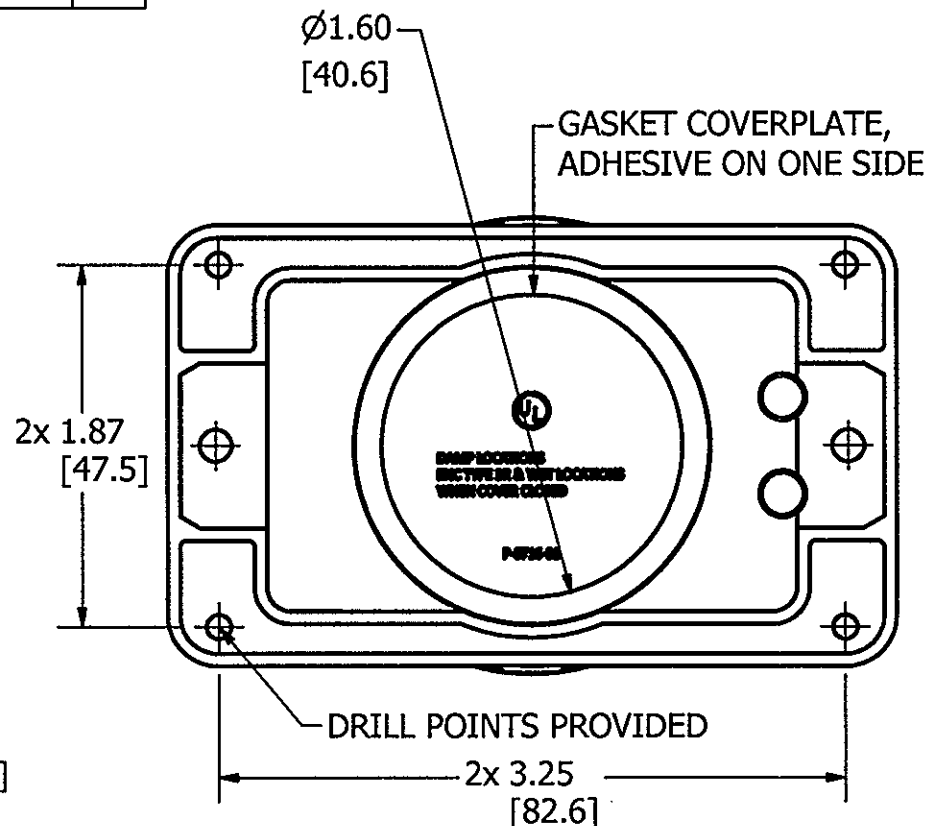
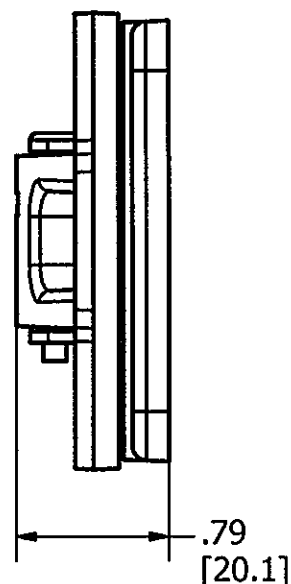
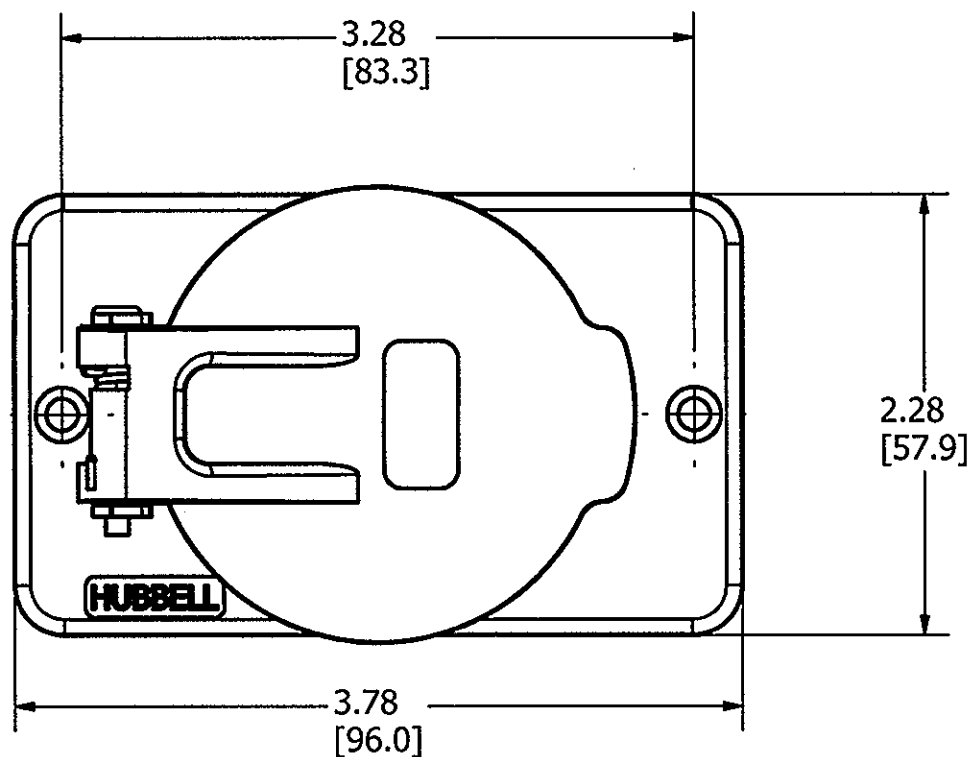


M-12483

2



- NOTES:
 1. LIFT COVER RATING UL TYPE 3R.
 2. ALL DIMENSIONS IN INCHES AND [MM].

LIST OF PARTS

DESCRIPTION	MATERIAL	FINISH
COVERPLATE	VALOX	GRAY
GASKET	CLOSE CELL SYNT. RUBBER	BLACK
LIFT COVER	VALOX	GRAY
SPRING, HINGE	STAINLESS STEEL	---
PIN, HINGE	STAINLESS STEEL	---
RIVET	BRASS	---
HINGE	STEEL	---
GASKET COVERPLATE	CLOSE CELL SYNT. RUBBER ADH ONE SIDE	BLACK

REPAIRABLE NON-REPAIRABLE

SYM	DESCRIPTION	APPROVED	DATE
2	04/03/2014 UPDATED COVERPLATE AND ADDED ADH ONE SIDE GASKET PER DCN20407 EB TLS	TLS	4/3/2014
1	09/10/13 RELEASED FOR PRODUCTION PER DCN20067 EB TLS	TLS	

THE DESIGN AND DIMENSIONS OF THE PRODUCT SHOWN ON THIS DRAWING ARE SUBJECT TO CHANGE WITHOUT NOTICE

TITLE OUTLET BOX LIFT COVER, 1.60" OPENING

TOLERANCES UNLESS OTHERWISE SPECIFIED		WIRING DEVICE-KELLEMS HUBBELL INCORPORATED SHELTON, CT	
FRACTIONS	±1/64	DR. BY ebazayev	APP. BY TLS
DECIMALS	±.005	TR. BY	SCALE 1:1
ANGLES	±2'	CHK'D BY TLS	DATE 9/4/2013

DIMENSION SHEET FOR CAT. NO. HBL 3058

B

M-12483

2