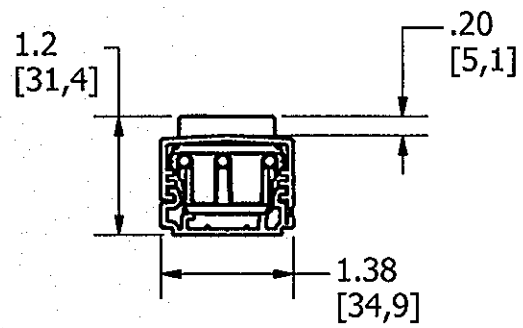
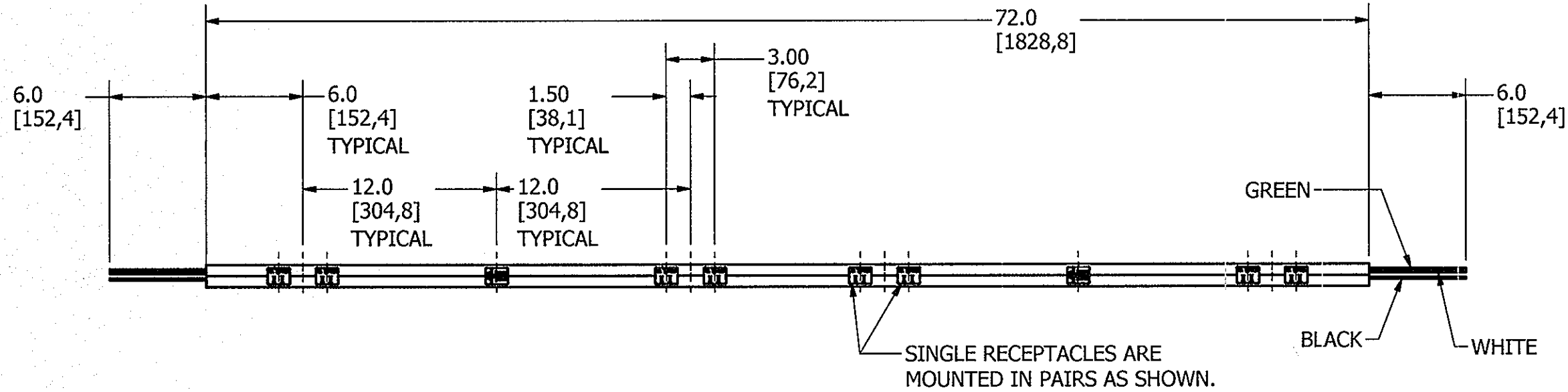


M-12939

2



END VIEW

NOTES:

- 1) PAIRS OF RECEPTACLES & USB ARE LOCATED SYMMETRICALLY IN OVERALL LENGTH.
- 2) CONDUCTORS - #12 THHN STRANDED WIRE.
- 3) DEVICE COLOR - IVORY.

CATALOG NUMBER	CONFIGURATION	NO. OF RECEPTACLES	NO. OF USB
PT156112U	15AMP PER NEMA 5-15R	8	2 (2.4A 5V)

ALL DIMENSIONS ARE IN INCHES AND [MILLIMETERS]

LIST OF PARTS

DESCRIPTION	MATERIAL	FINISH
RACEWAY	STEEL	SEE NOTES
RECEPTACLES	THERMOPLASTIC	SEE NOTES
CONTACTS	COPPER ALLOY	NONE
USB	THERMOPLASTIC	SEE NOTES

DIMENSION SHEET FOR CAT. NO.

SEE TABLE

REPAIRABLE

NON-REPAIRABLE

2	UPDATED END VIEW PER DCN21271	AD /AD	6/4/2015
1	RELEASED PER DCN21035	AD	2/10/2015
SYM	DESCRIPTION	APPROVED	DATE

THE DESIGN AND DIMENSIONS OF THE PRODUCT SHOWN ON THIS DRAWING ARE SUBJECT TO CHANGE WITHOUT NOTICE

TITLE
 PLUGTRAK - NON-METALLIC RACEWAY TAMPER RESISTANT/USB MULTI-OUTLET ASSEMBLIES

TOLERANCES UNLESS OTHERWISE SPECIFIED		WIRING DEVICE-KELLEMS HUBBELL INCORPORATED SHELTON, CT	
FRACTIONS	±1/64	DR. BY	AD
DECIMALS	±.005	APP. BY	SM
ANGLES	±2°	TR. BY	SCALE NONE
		CHK'D BY	SM
		DATE	2/6/2015

B

M-12939

2