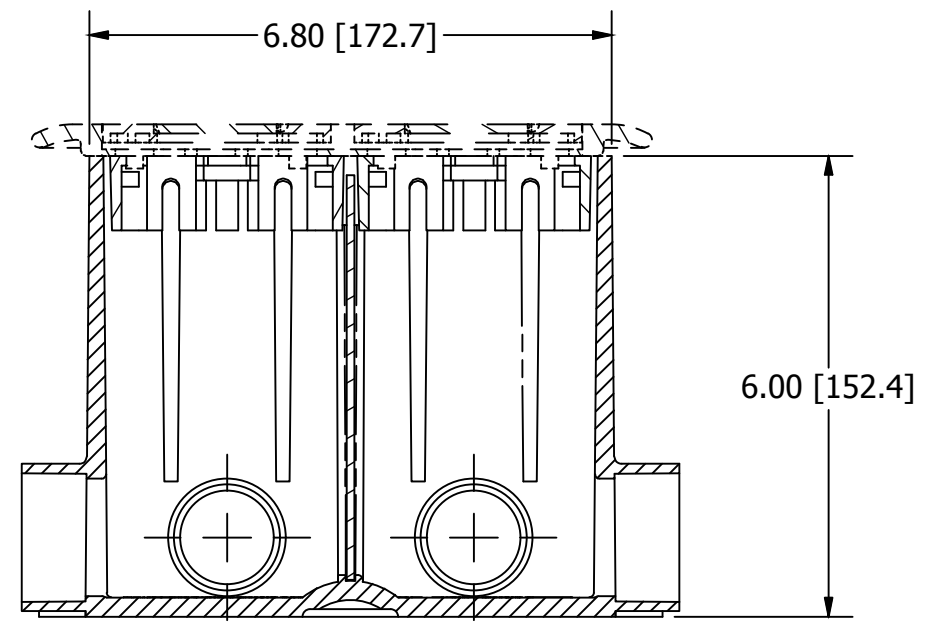
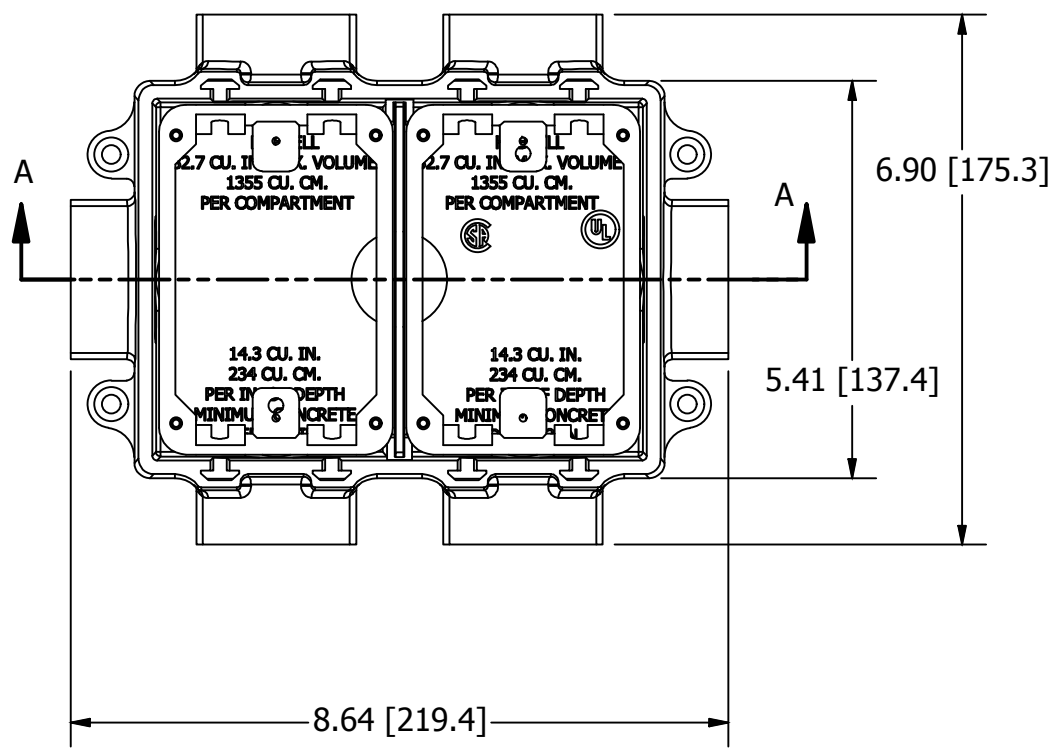
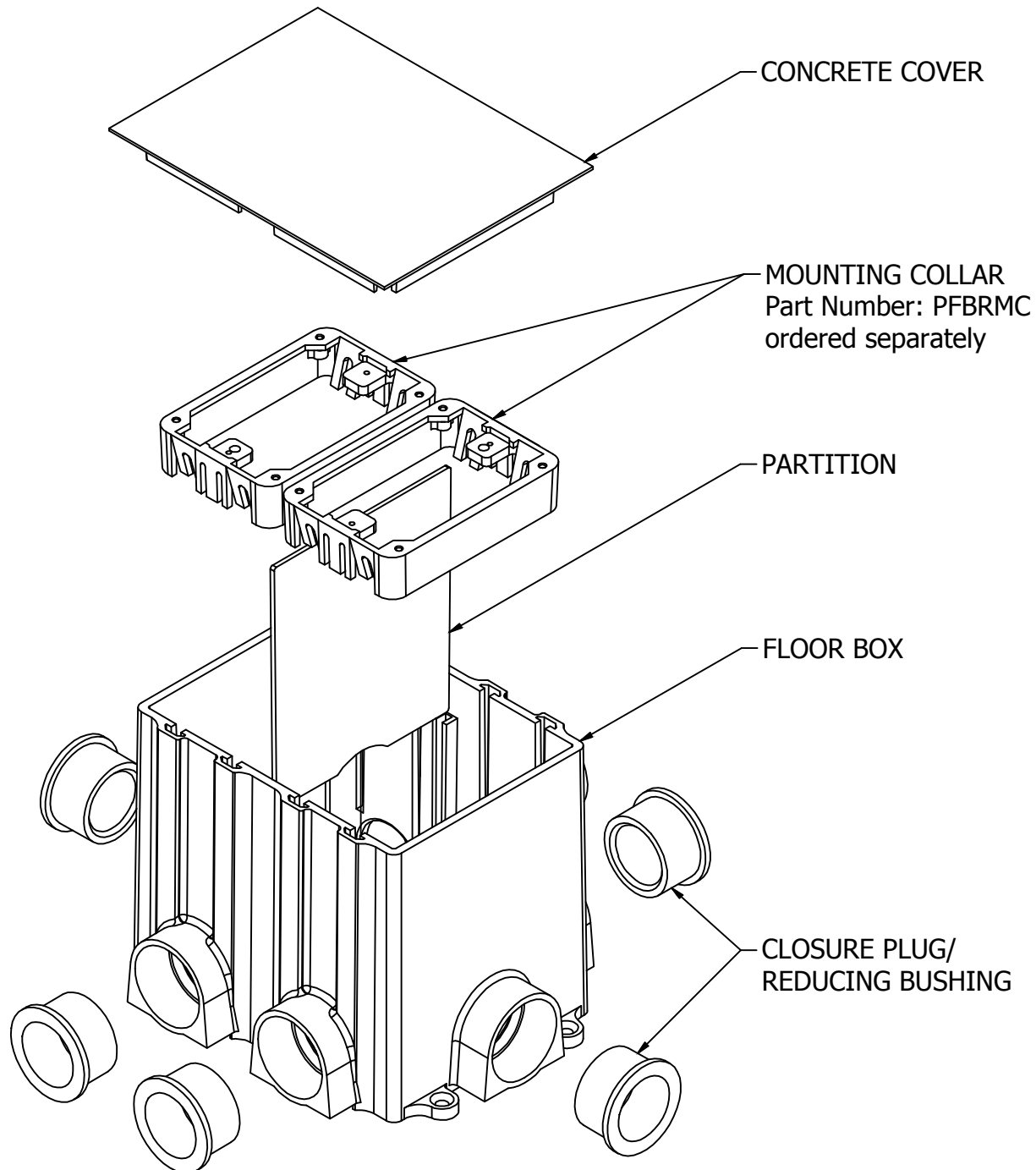


M-13168

1



SECTION A-A
THROUGH FLOOR BOX WITH COVER
ASSEMBLY INSTALLED AT MAXIMUM HEIGHT.

NOTES:
1. PRODUCT IS UL & CSA LISTED.COMPLIES WITH UL 514A, UL 514C AND CSA C22.2 NO. 85-14.

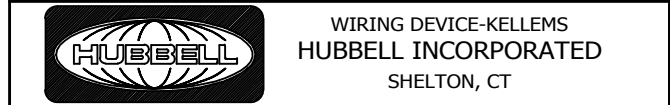
LIST OF PARTS		
DESCRIPTION	MATERIAL	FINISH
FLOOR BOX (2-GANG)	GRAY IRON	GRAY
CLOSURE PLUG	STEEL	TIN PLATE
CONCRETE COVER	POLYPROPYLENE	YELLOW
PARTITION	PVC	GRAY
MOUNTING COLLAR	PVC	GRAY

DIMENSION SHEET FOR CAT. NO. PFBRG2

1	INITIAL RELEASE. PER DCN 22067	DDL	04/18/16
REV	DESCRIPTION	APP	DATE

THE DESIGN AND DIMENSIONS OF THE PRODUCT SHOWN ON THIS DRAWING ARE SUBJECT TO CHANGE WITHOUT NOTICE. DIMENSIONS ARE IN INCHES [mm].

TITLE
NON-METALLIC, RECTANGULAR, TWO GANG BOX FAMILY

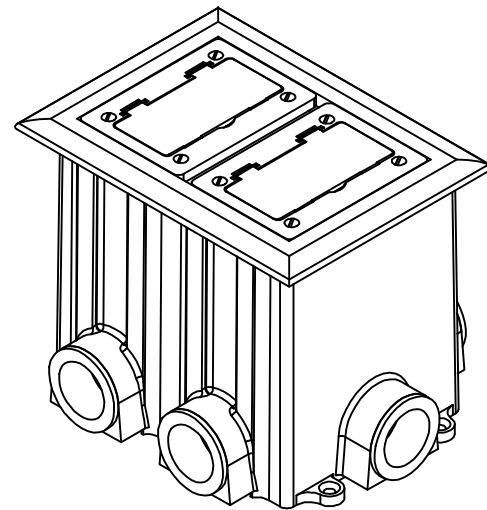


TOLERANCES UNLESS OTHERWISE SPECIFIED .XX = ±.01 .XXX = ±.005 ANGLE TOL. ±2'	DR. BY	SCALE	NONE
	CHK. BY DDL	DATE	04/15/16

B
M-13168
1

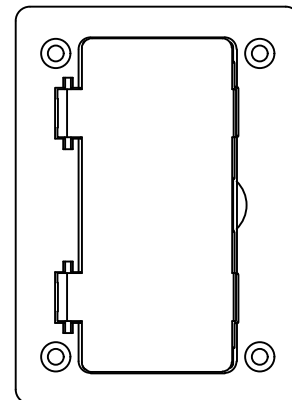
M-13168

1



PFBRG2
NON-METALLIC FLOOR BOX
WITH PFBRFx2 FLANGE AND PFBR826 COVERS

COVERS
(SOLD SEPARATELY)



PFBR826BLA
PFBR826BRA
PFBR826GYA
PFBR826IA

LIST OF PARTS

DESCRIPTION	MATERIAL	FINISH
SEE SHEET 1		

DIMENSION SHEET FOR CAT. NO.
PFBRG2

1	INITIAL RELEASE. PER DCN 22067	DDL	04/18/16
REV	DESCRIPTION	APP	DATE

THE DESIGN AND DIMENSIONS OF THE
PRODUCT SHOWN ON THIS DRAWING ARE
SUBJECT TO CHANGE WITHOUT NOTICE.
DIMENSIONS ARE IN INCHES [mm].

TITLE
NON-METALLIC, RECTANGULAR, TWO
GANG BOX FAMILY



WIRING DEVICE-KELLEMS
HUBBELL INCORPORATED
SHELTON, CT

TOLERANCES UNLESS OTHERWISE SPECIFIED .XX = ± .01 .XXX = ± .005 ANGLE TOL. ±2'	DR. BY	SCALE	NONE
	CHK. BY	DATE	04/15/16

SHEET 2 OF 2

B

M-13168

1