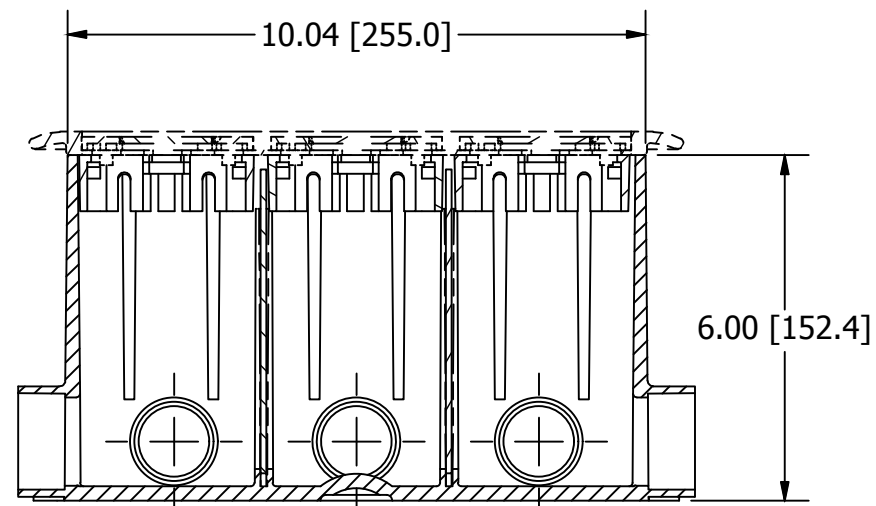
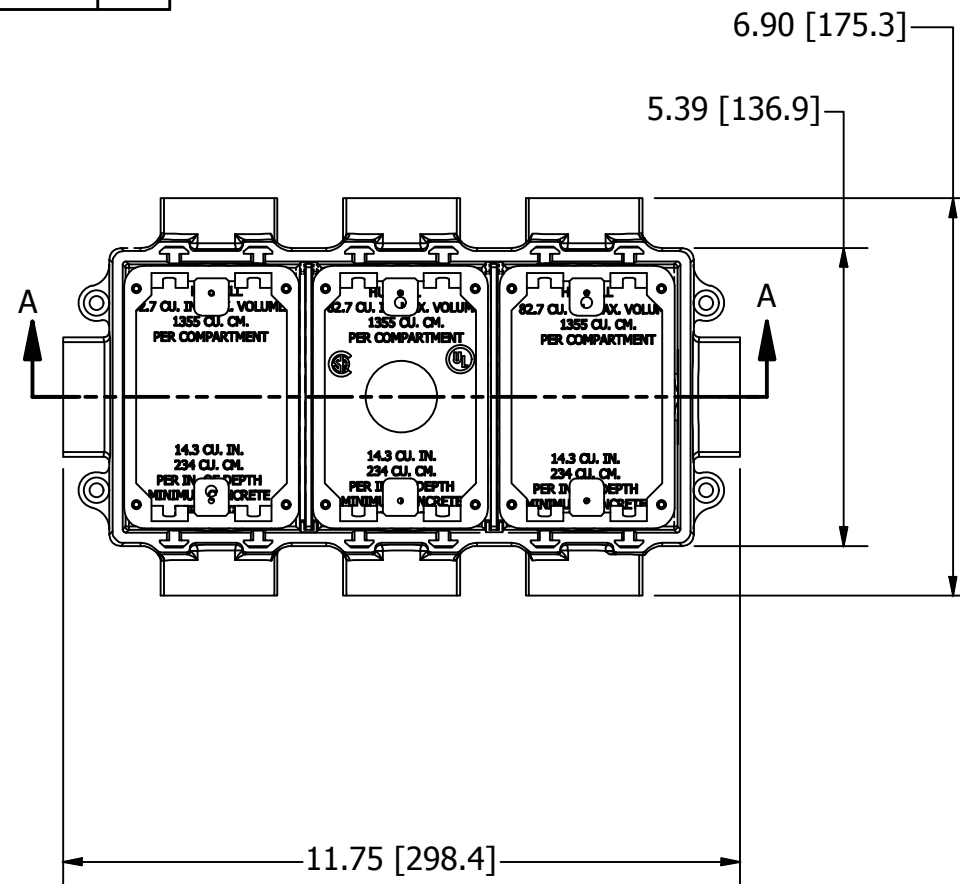
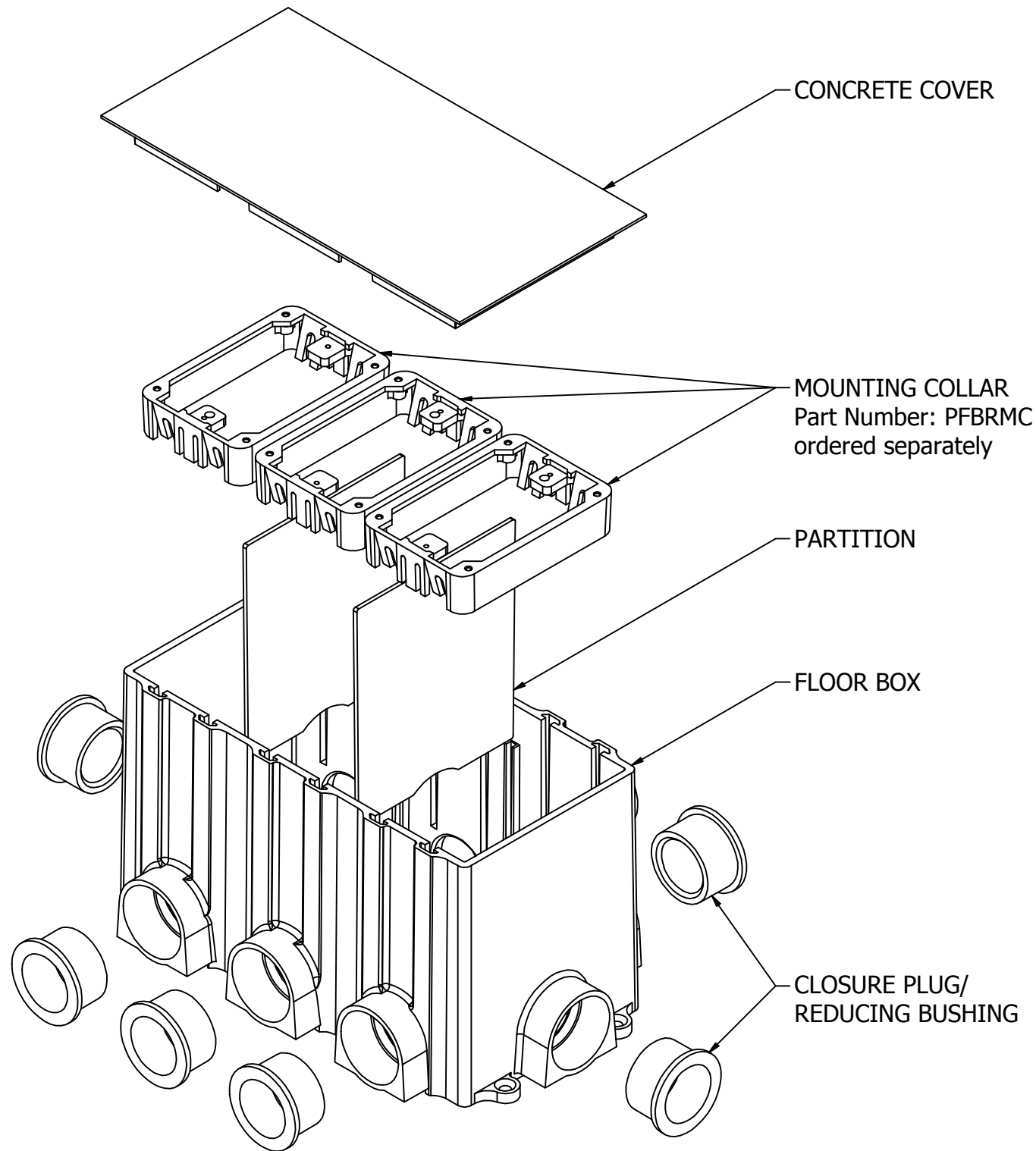


M-13169

1



SECTION A-A
THROUGH FLOOR BOX WITH COVER
ASSEMBLY INSTALLED AT MAXIMUM HEIGHT

LIST OF PARTS		
DESCRIPTION	MATERIAL	FINISH
FLOOR BOX (3-GANG)	GRAY IRON	GRAY
CLOSURE PLUG	STEEL	TIN PLATE
CONCRETE COVER	POLYPROPYLENE	YELLOW
PARTITION	PVC	GRAY
MOUNTING COLLAR	PVC	GRAY

DIMENSION SHEET FOR CAT. NO. PFBRG3

1	INITIAL RELEASE. PER DCN 22067	DDL	04/18/16
REV	DESCRIPTION	APP	DATE

THE DESIGN AND DIMENSIONS OF THE PRODUCT SHOWN ON THIS DRAWING ARE SUBJECT TO CHANGE WITHOUT NOTICE. DIMENSIONS ARE IN INCHES [mm].

TITLE
NON-METALLIC, RECTANGULAR, THREE GANG BOX FAMILY



WIRING DEVICE-KELLEMS
HUBBELL INCORPORATED
SHELTON, CT

TOLERANCES UNLESS OTHERWISE SPECIFIED .XX = ±.01 .XXX = ±.005 ANGLE TOL. ±2'	DR. BY	SCALE	NONE
	CHK. BY DDL	DATE	04/15/16

NOTES:

- PRODUCT IS UL & CSA LISTED.COMPLIES WITH UL 514A, UL 514C AND CSA C22.2 NO. 85-14.

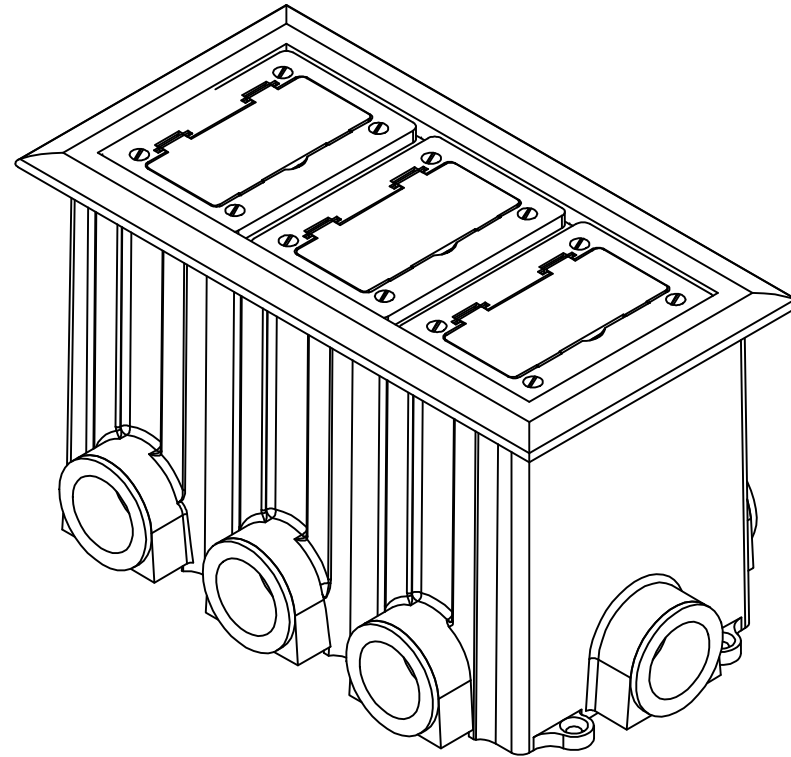
B

M-13169

1

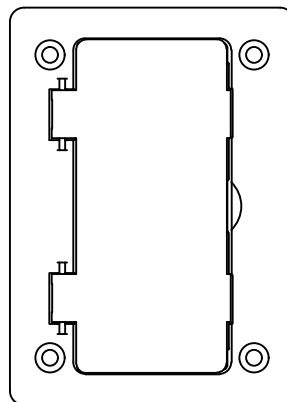
M-13169

1



PFBRG3
 NON METALLIC FLOOR BOX
 WITH PFBRFx3 FLANGE AND PFBR826 COVERS

COVERS
 (SOLD SEPARATELY)



- PFBR826BLA
- PFBR826BRA
- PFBR826GYA
- PFBR826IA

LIST OF PARTS

DESCRIPTION	MATERIAL	FINISH
SEE SHEET 1		

1	INITIAL RELEASE. PER DCN 22067	DDL	04/18/16
REV	DESCRIPTION	APP	DATE

THE DESIGN AND DIMENSIONS OF THE
 PRODUCT SHOWN ON THIS DRAWING ARE
 SUBJECT TO CHANGE WITHOUT NOTICE.
 DIMENSIONS ARE IN INCHES [mm].

TITLE
 NON-METALLIC, RECTANGULAR, THREE
 GANG BOX FAMILY



WIRING DEVICE-KELLEMS
 HUBBELL INCORPORATED
 SHELTON, CT

TOLERANCES UNLESS OTHERWISE SPECIFIED .XX = ± .01 .XXX = ± .005 ANGLE TOL. ±2'	DR. BY	SCALE	NONE
	CHK. BY	DATE	04/15/16

DIMENSION SHEET FOR CAT. NO. PFBRG3
 B
 M-13169
 1