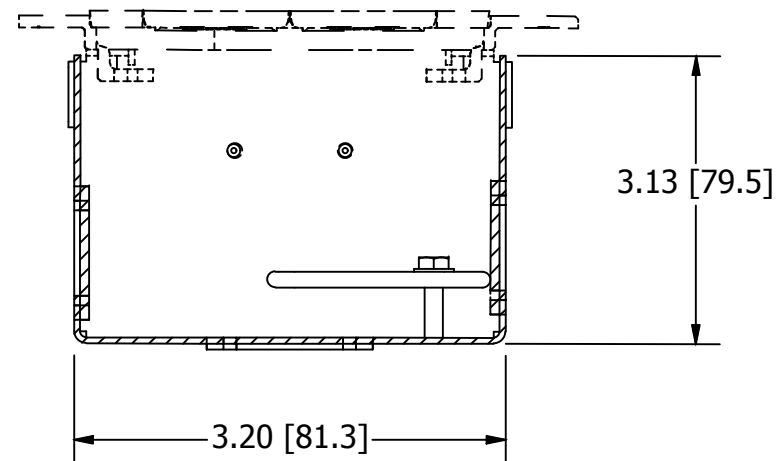
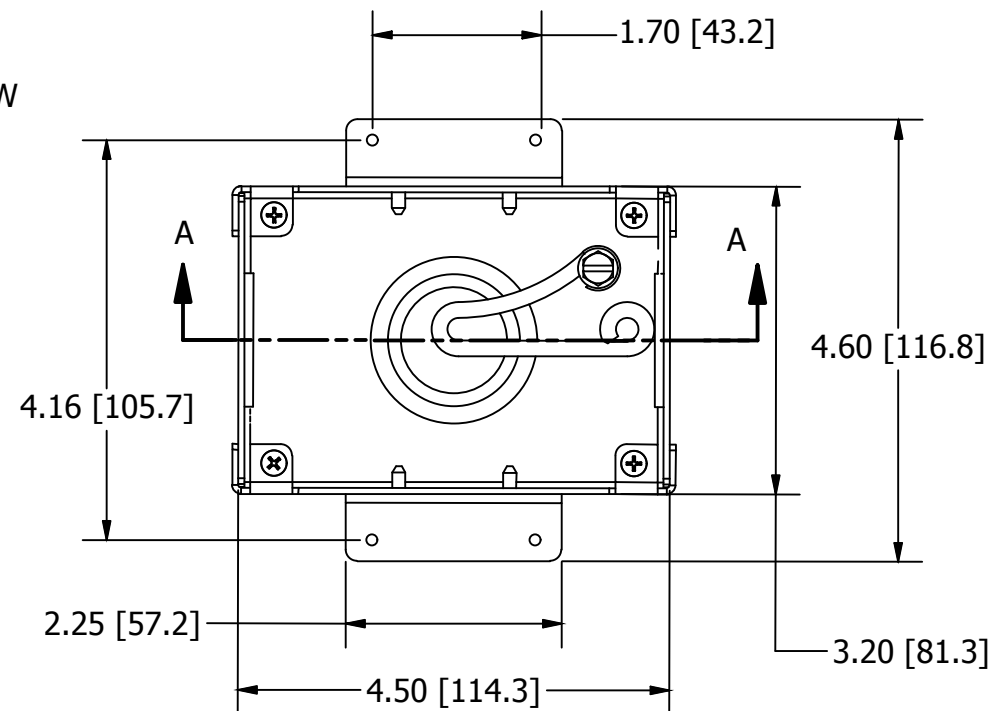
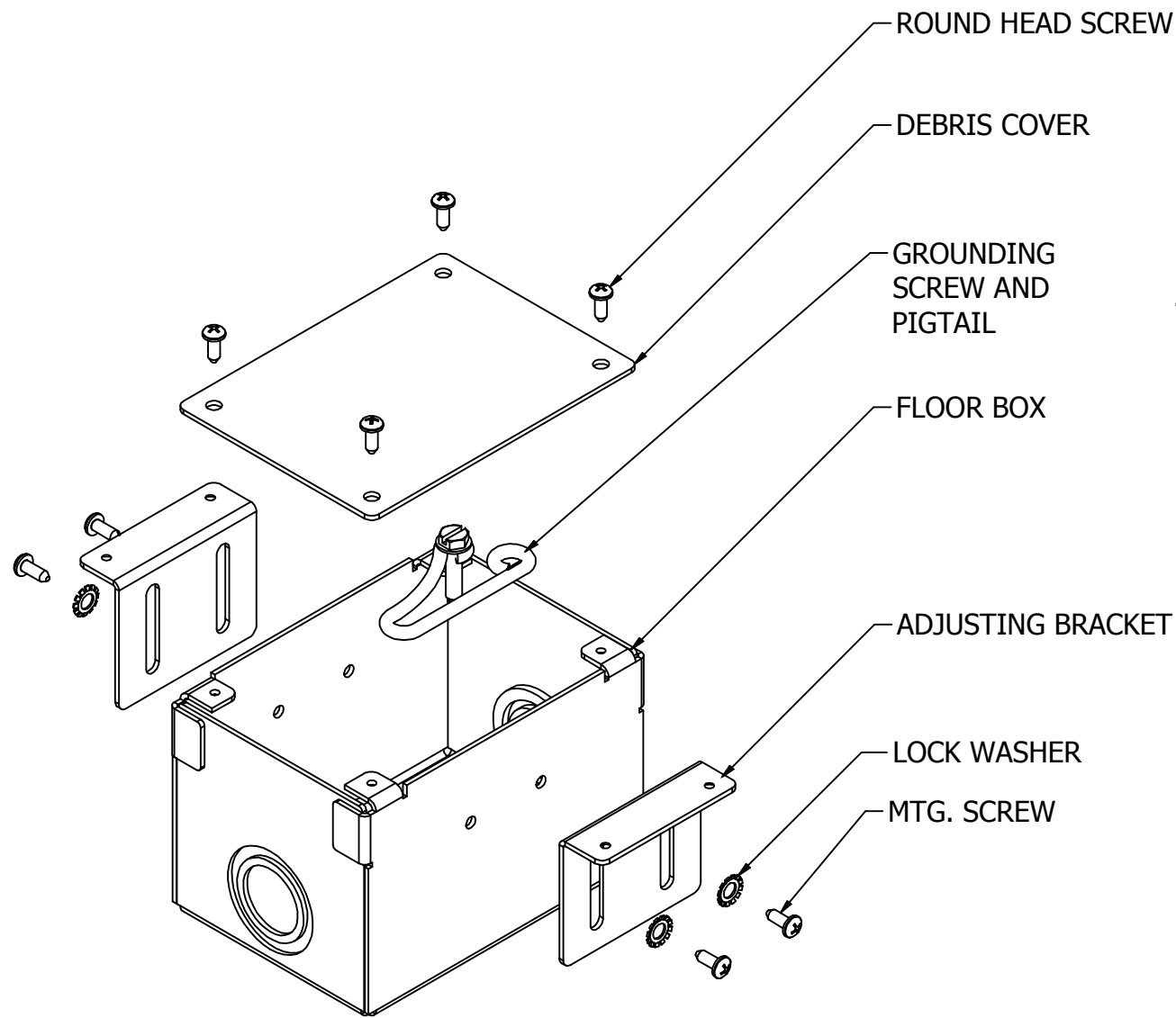


M-13180

1



SECTION A-A  
THROUGH FLOOR BOX

NOTES:  
1. PRODUCT IS UL & CSA LISTED.COMPLIES WITH UL 514A, CSA C22.2 NO. 85-14.

LIST OF PARTS

DESCRIPTION	MATERIAL	FINISH
FLOOR BOX (1-GANG)	STEEL	ZINC PLATE
ADJUSTABLE BRACKET	STEEL	ZINC PLATE
DEBRIS COVER	STEEL	ZINC PLATE
SCREW ROUND HEAD	STEEL	ZINC PLATE
MTG. SCREW	STEEL	ZINC PLATE
LOCK WASHER	STEEL	ZINC PLATE
GROUNDING SCREW & PIGTAIL	COPPER	GREEN INSUL

1	INITIAL RELEASE. PER DCN 22067	DDL	04/18/16
REV	DESCRIPTION	APP	DATE

THE DESIGN AND DIMENSIONS OF THE PRODUCT SHOWN ON THIS DRAWING ARE SUBJECT TO CHANGE WITHOUT NOTICE. DIMENSIONS ARE IN INCHES [mm].

TITLE  
STAMPED STEEL, RECTANGULAR, ONE GANG, WOOD FLOOR BOX



WIRING DEVICE-KELLEMS  
HUBBELL INCORPORATED  
SHELTON, CT

TOLERANCES UNLESS OTHERWISE SPECIFIED .XX = ± .01 .XXX = ± .005 ANGLE TOL. ±2'	DR. BY	SCALE	NONE
	CHK. BY DDL	DATE	04/15/16

DIMENSION SHEET FOR CAT. NO. B2481

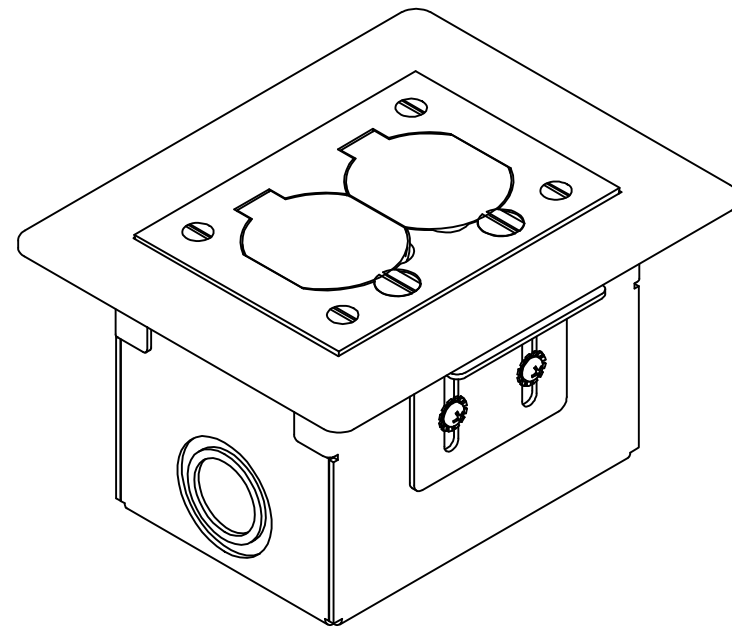
B

M-13180

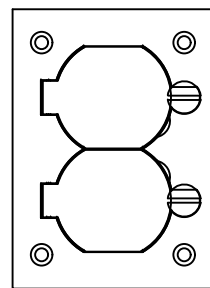
1

M-13180

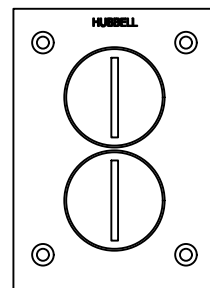
1



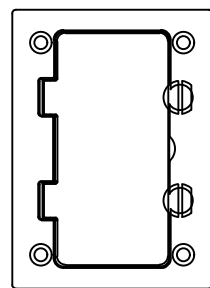
B2481  
 STAMPED STEEL FLOOR BOX  
 (FLANGE AND COVERS SOLD SEPARATELY)



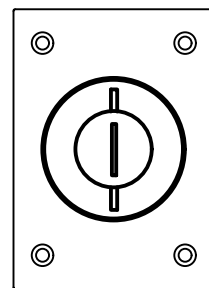
S3825  
 SA3825



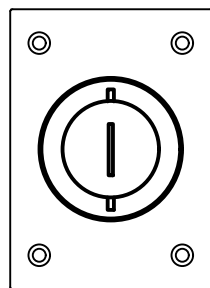
S3625  
 SA3625



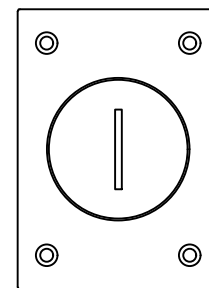
S3826  
 SA3826



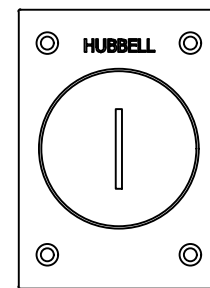
S2425  
 SA2425



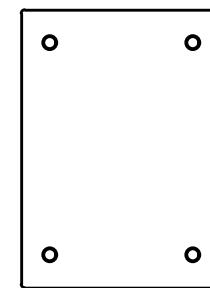
S2625  
 SA2625



S2825  
 -



S3425  
 -



S3813  
 SA3813

LIST OF PARTS		
DESCRIPTION	MATERIAL	FINISH
SEE SHEET 1		

DIMENSION SHEET FOR CAT. NO.  
 B2481

1	INITIAL RELEASE. PER DCN 22067	DDL	04/18/16
REV	DESCRIPTION	APP	DATE

THE DESIGN AND DIMENSIONS OF THE  
 PRODUCT SHOWN ON THIS DRAWING ARE  
 SUBJECT TO CHANGE WITHOUT NOTICE.  
 DIMENSIONS ARE IN INCHES [mm].

TITLE  
 STAMPED STEEL, RECTANGULAR, ONE  
 GANG, WOOD FLOOR BOX



WIRING DEVICE-KELLEMS  
 HUBBELL INCORPORATED  
 SHELTON, CT

TOLERANCES UNLESS OTHERWISE SPECIFIED .XX = ± .01 .XXX = ± .005 ANGLE TOL. ±2'	DR. BY	SCALE	NONE
	CHK. BY	DATE	04/15/16

SHEET 2 OF 2

B

M-13180

1