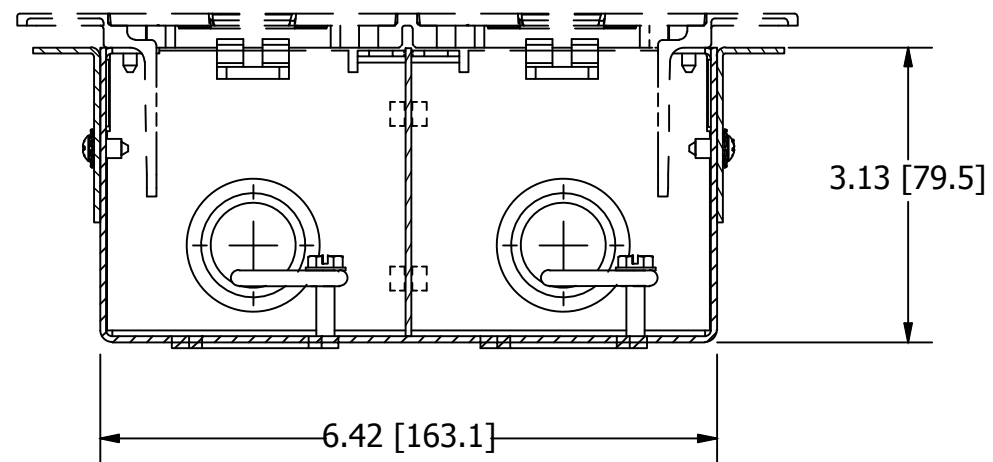
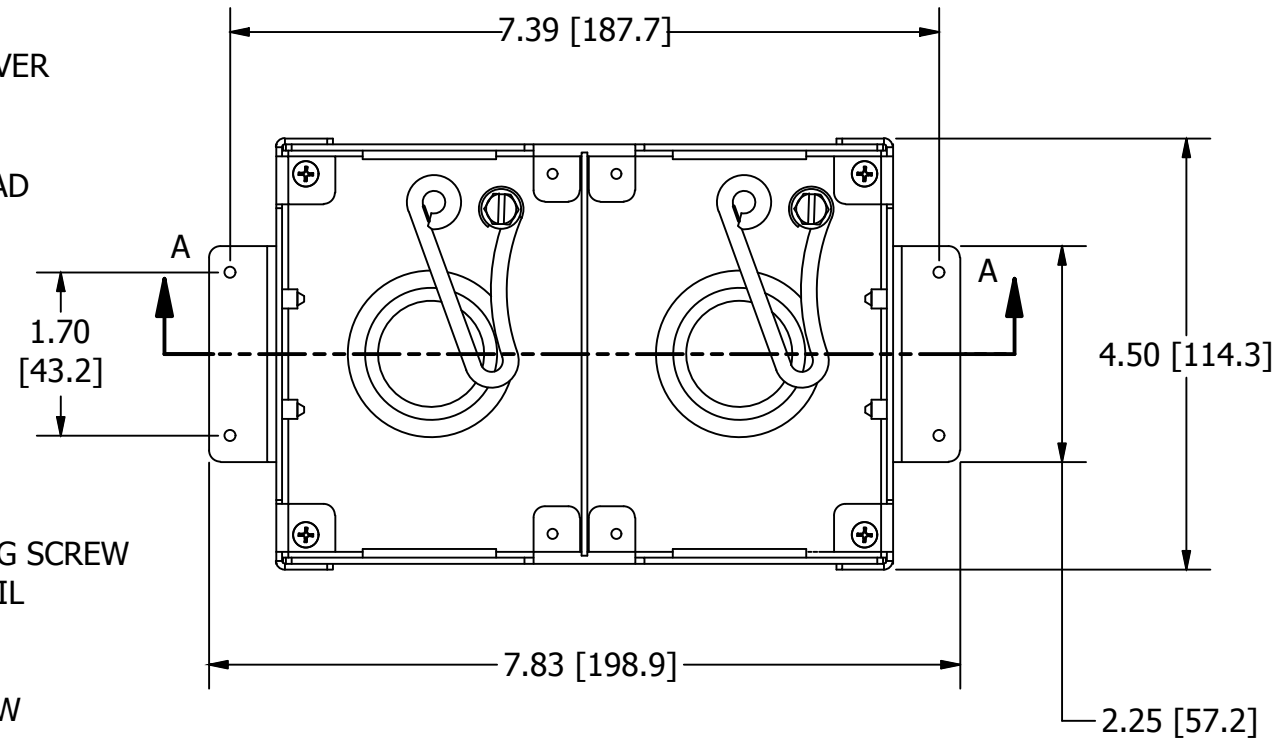
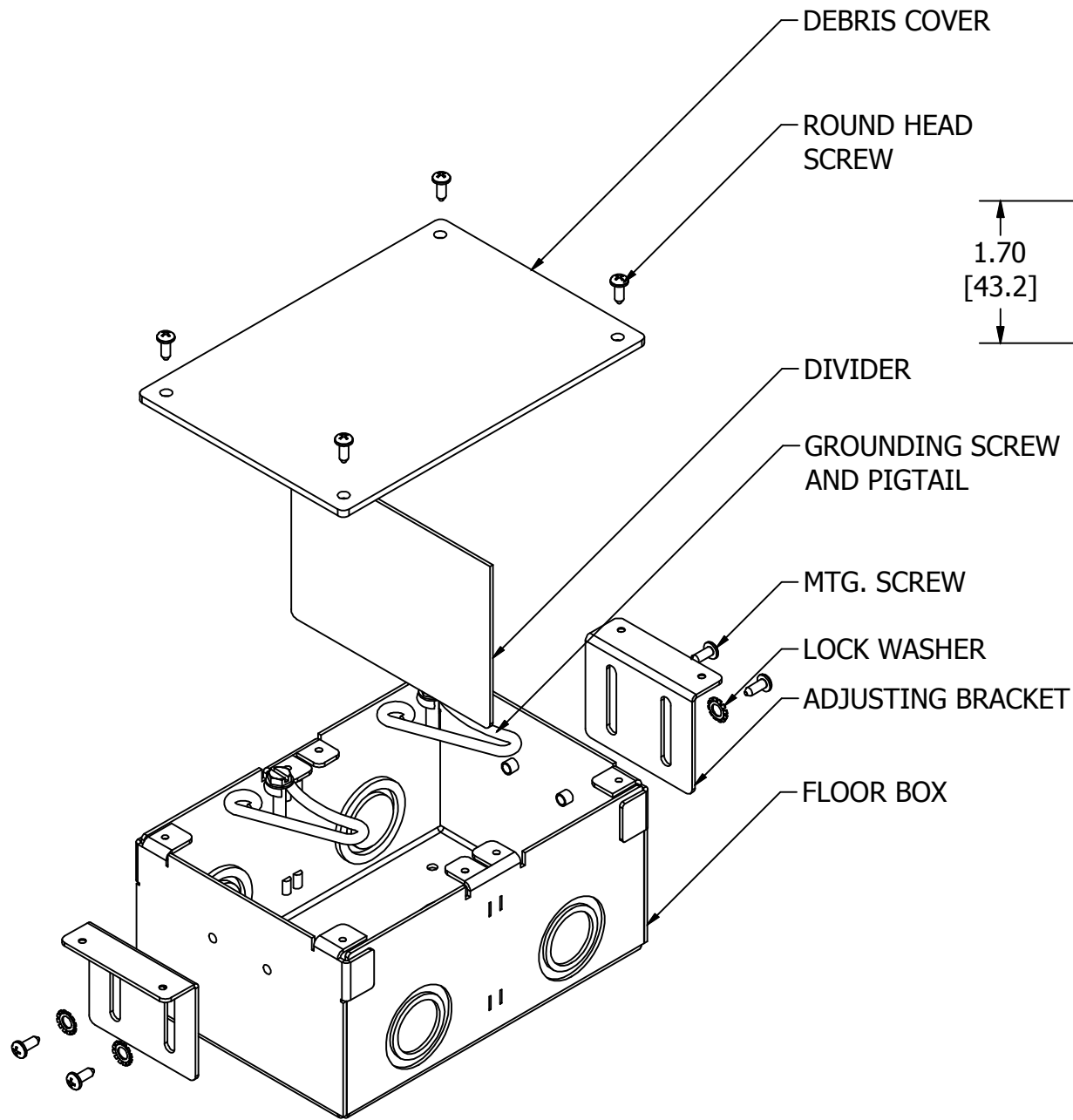


M-13181

1



SECTION A-A
THROUGH FLOOR BOX

NOTES:

1. PRODUCT IS UL & CSA LISTED.COMPLIES WITH UL 514A,
CSA C22.2 NO. 85-14.

LIST OF PARTS

DESCRIPTION	MATERIAL	FINISH
FLOOR BOX (2-GANG)	STEEL	ZINC PLATE
ADJUSTING BRACKET	STEEL	ZINC PLATE
DEBRIS COVER	STEEL	ZINC PLATE
DIVIDER	STEEL	ZINC PLATE
SCREW ROUND HEAD	STEEL	ZINC PLATE
LOCK WASHER	STEEL	ZINC PLATE
MTG. SCREW	STEEL	ZINC PLATE
GROUNDING SCREW & PIGTAIL	COPPER	GREEN INSUL

1	INITIAL RELEASE. PER DCN 22067	DDL	04/18/16
REV	DESCRIPTION	APP	DATE

THE DESIGN AND DIMENSIONS OF THE PRODUCT SHOWN ON THIS DRAWING ARE SUBJECT TO CHANGE WITHOUT NOTICE. DIMENSIONS ARE IN INCHES [mm].

TITLE
STAMPED STEEL, RECTANGULAR, TWO GANG, WOOD FLOOR BOX



WIRING DEVICE-KELLEMS
HUBBELL INCORPORATED
SHELTON, CT

TOLERANCES UNLESS OTHERWISE SPECIFIED .XX = ±.01 .XXX = ±.005 ANGLE TOL. ±2'	DR. BY	SCALE	NONE
	CHK. BY DDL	DATE	04/15/16

DIMENSION SHEET FOR CAT. NO. B2482

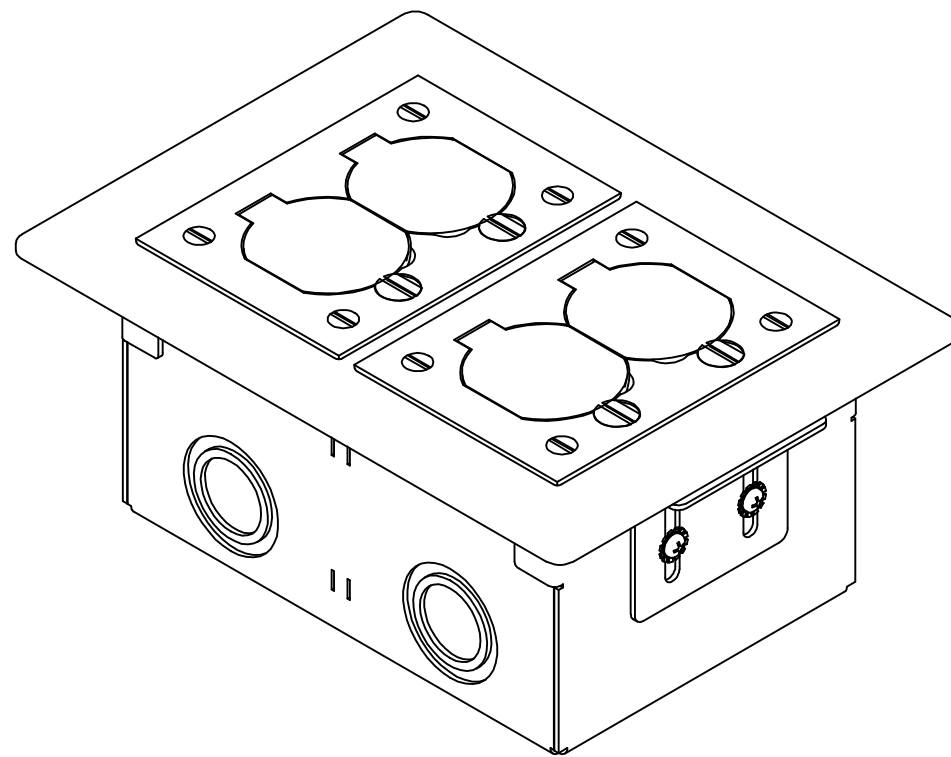
B

M-13181

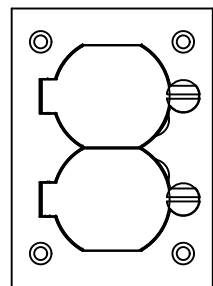
1

M-13181

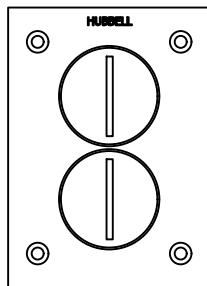
1



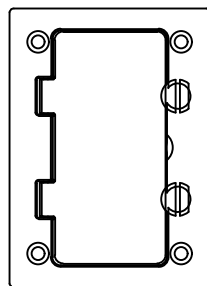
B2482
STAMPED STEEL FLOOR BOX
(FLANGE AND COVERS SOLD SEPARATELY)



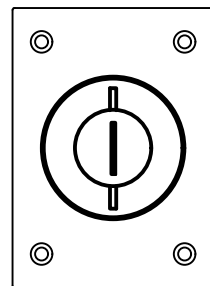
S3825
SA3825



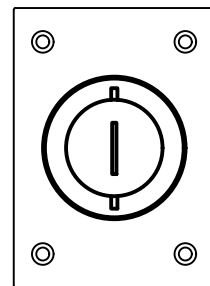
S3625
SA3625



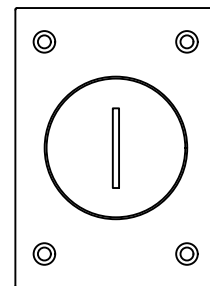
S3826
SA3826



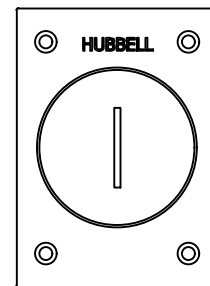
S2425
SA2425



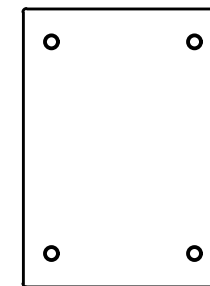
S2625
SA2625



S2825
-



S3425
-



S3813
SA3813

LIST OF PARTS

DESCRIPTION	MATERIAL	FINISH
SEE SHEET 1		

DIMENSION SHEET FOR CAT. NO. B2482

1	INITIAL RELEASE. PER DCN 22067	DDL	04/18/16
REV	DESCRIPTION	APP	DATE

THE DESIGN AND DIMENSIONS OF THE PRODUCT SHOWN ON THIS DRAWING ARE SUBJECT TO CHANGE WITHOUT NOTICE. DIMENSIONS ARE IN INCHES [mm].

TITLE
STAMPED STEEL, RECTANGULAR, TWO GANG, WOOD FLOOR BOX



WIRING DEVICE-KELLEMS
HUBBELL INCORPORATED
SHELTON, CT

TOLERANCES UNLESS OTHERWISE SPECIFIED .XX = ± .01 .XXX = ± .005 ANGLE TOL. ±2'	DR. BY	SCALE NONE
	CHK. BY DDL	DATE 04/15/16

SHEET 2 OF 2

B

M-13181

1