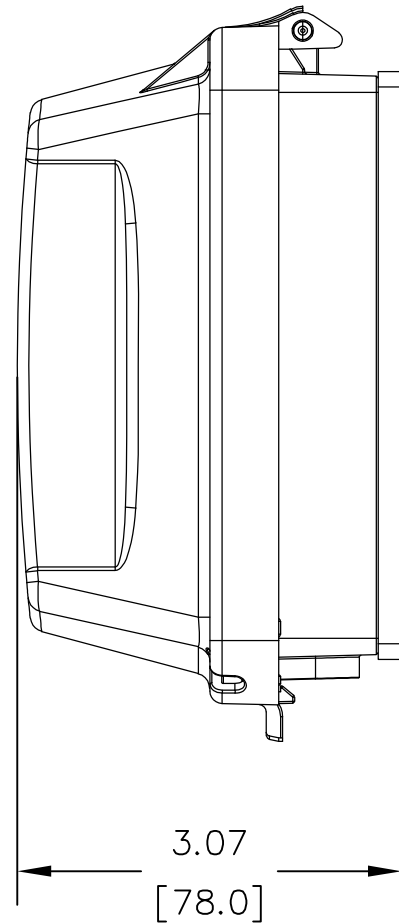
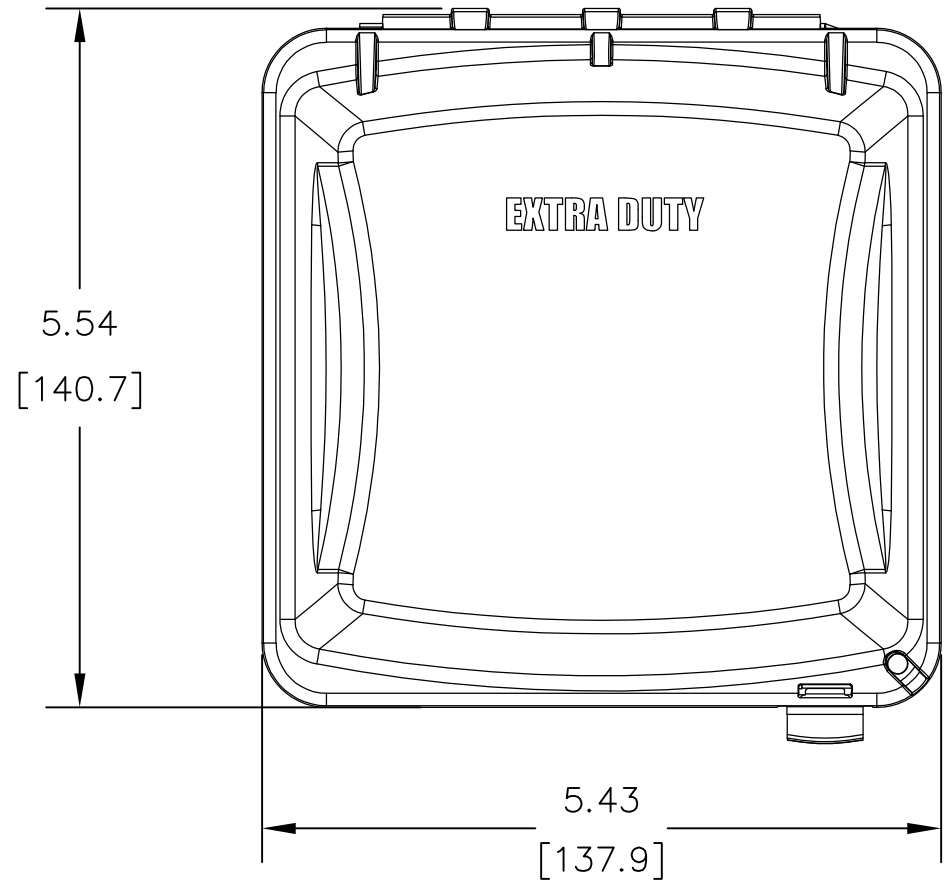
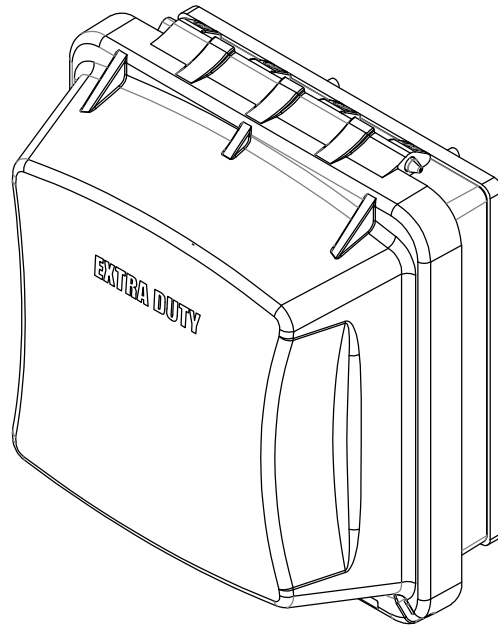


M-13190 2



NOTES: UNLESS OTHERWISE SPECIFIED  
 1. KIT CONTAINS: ADAPTER PLATES FOR SWITCHES, SINGLE, DUPLEX, LOCKING, AND GFCI RECEPTACLES, AND MOUNTING SCREWS.  
 3. DIMENSIONS ARE IN INCHES [MM].

LIST OF PARTS

DESCRIPTION	MATERIAL	FINISH
HOOD	THERMOPLASTIC	CLEAR
BASE	THERMOPLASTIC	GRAY

DIMENSION SHEET FOR CAT. NO. RW58750

REPAIRABLE  NON-REPAIRABLE

2	DIM 5.54(140.7), 5.43(137.9), 3.07(78.0) WAS (3.72)(94.6) (3.62)(91.9), (2.05)(52.0) PER DCN 23613. MYA	MJZ	3/2/18
1	NEW RELEASE PER DCN 21768	DJP	11/6/15
SYM	REVISIONS	APP	DATE

THE DESIGN AND DIMENSIONS OF THE PRODUCT SHOWN ON THIS DRAWING ARE SUBJECT TO CHANGE WITHOUT NOTICE

TITLE WEATHERPROOF COVER, IN-USE, 2-GANG

TOLERANCES UNLESS OTHERWISE SPECIFIED .XX = ±.01 .XXX = ±.005 ANGLES = ±2°	WIRING DEVICE-KELLEMS HUBBELL INCORPORATED SHELTON, CT	
	DR. BY SPN	APP. BY DJP
	TR. BY	SCALE NONE
	CHK. BY DJP	DATE 11/6/15

B M-13190 2