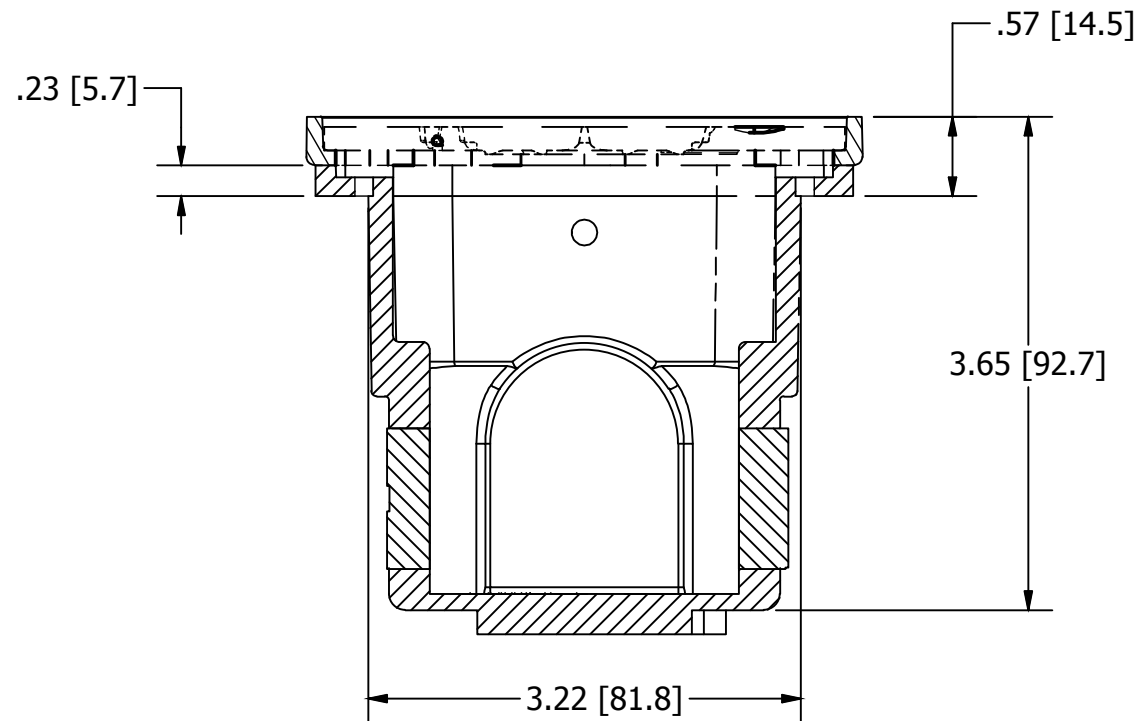
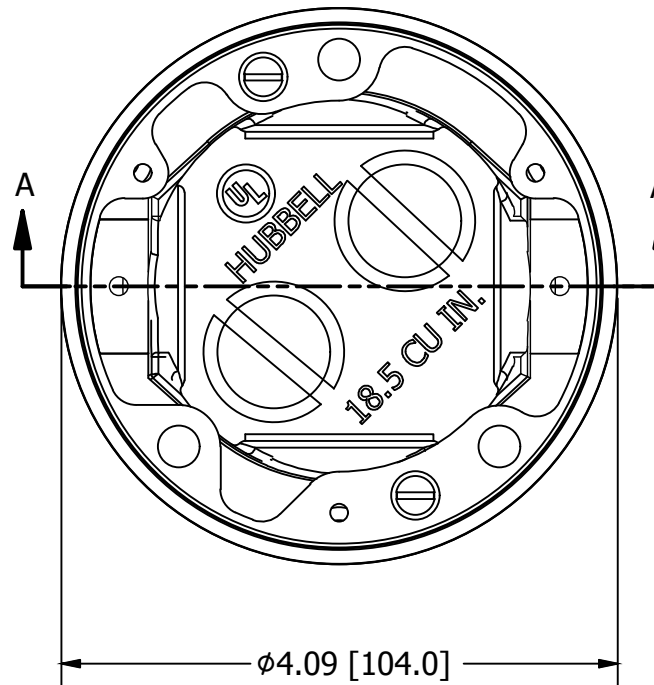
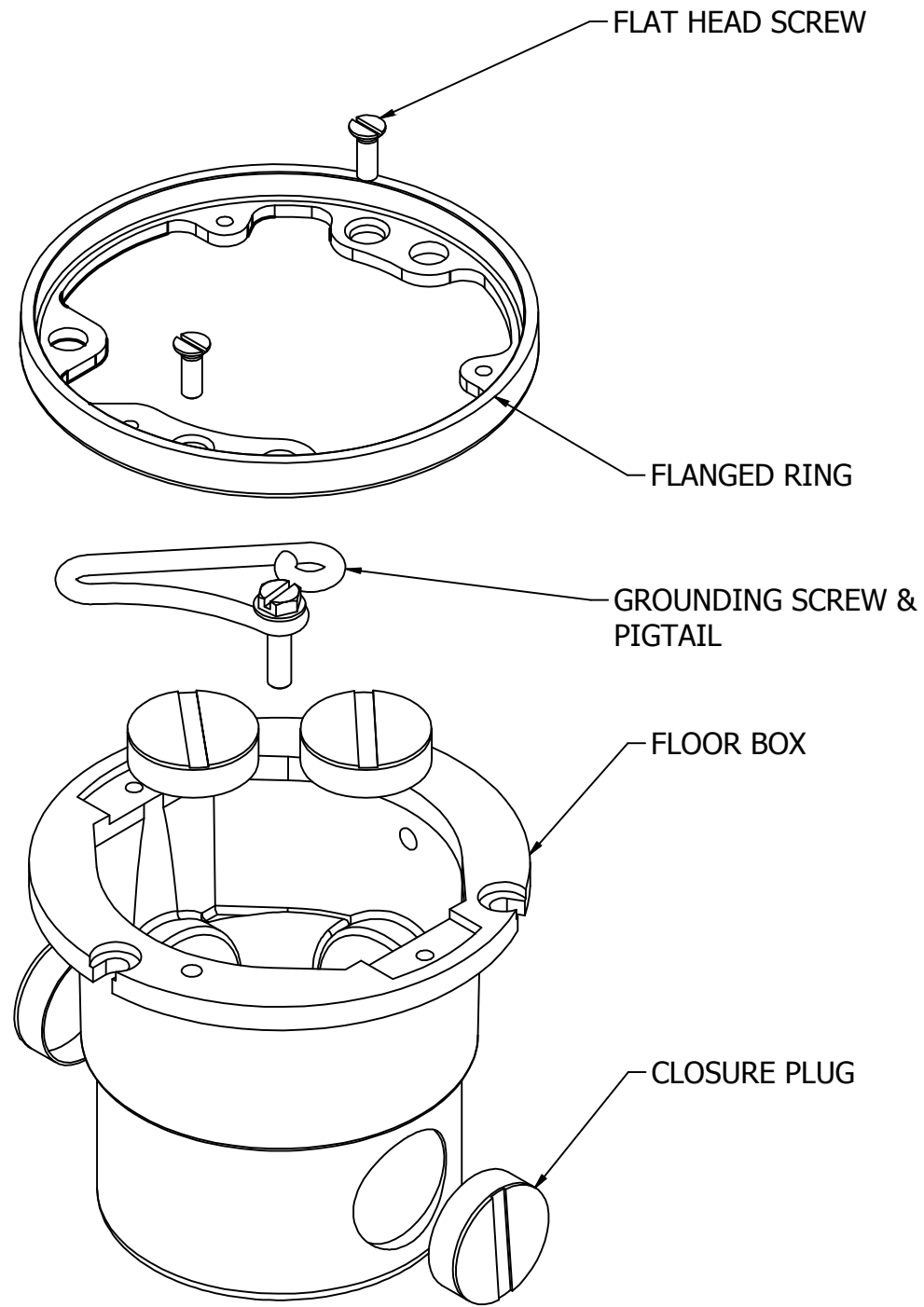


M-13195

1



SECTION A-A
THROUGH FLOOR BOX

NOTES:
1. PRODUCT IS UL & CSA LISTED.COMPLIES WITH UL 514A,
CSA C22.2 NO. 85-14.

LIST OF PARTS

DESCRIPTION	MATERIAL	FINISH
FLOOR BOX	GRAY IRON	GRAY
CLOSURE PLUG	STEEL	TIN PLATE
SCREW FLAT HEAD	STEEL	ZINC PLATE
FLANGED RING	BRASS	BROWN
GROUNDING SCREW & PIGTAIL	COPPER	GREEN INSUL

DIMENSION SHEET FOR CAT. NO. B2588275

1	INITIAL RELEASE. PER DCN 22067	DDL	04/18/16
REV	DESCRIPTION	APP	DATE

THE DESIGN AND DIMENSIONS OF THE PRODUCT SHOWN ON THIS DRAWING ARE SUBJECT TO CHANGE WITHOUT NOTICE. DIMENSIONS ARE IN INCHES [mm].

TITLE
CAST, ROUND ONE GANG, WOOD FLOOR BOX

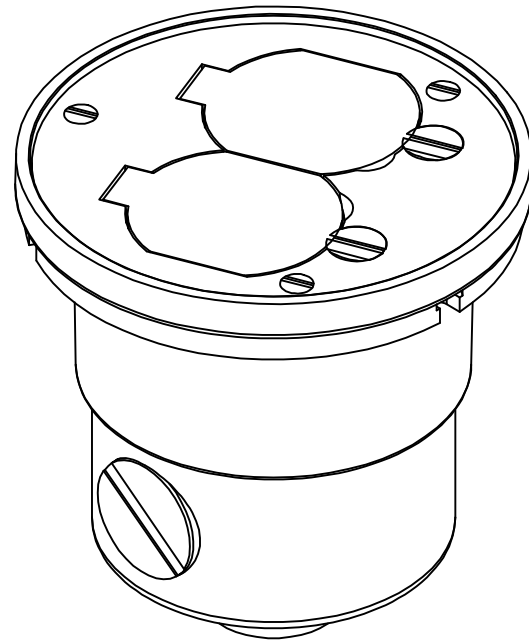


WIRING DEVICE-KELLEMS
HUBBELL INCORPORATED
SHELTON, CT

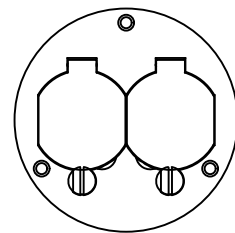
TOLERANCES UNLESS OTHERWISE SPECIFIED .XX = ± .01 .XXX = ± .005 ANGLE TOL. ±2'	DR. BY	SCALE	NONE
	CHK. BY DDL	DATE	04/15/16

M-13195

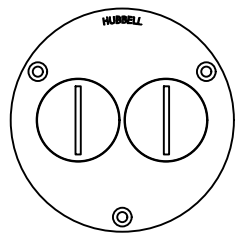
1



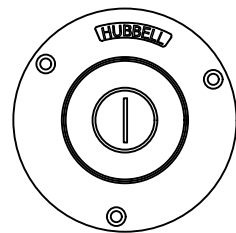
B2588275
CAST IRON FLOOR BOX



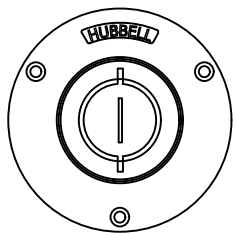
S3925
SA3925



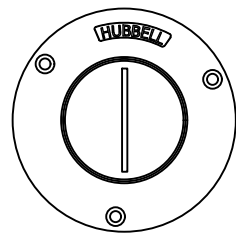
S3725
SA3725



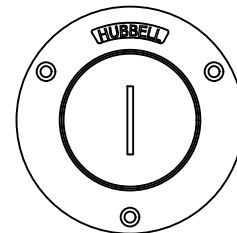
S2525
SA2525



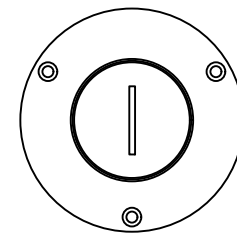
S2725
SA2725



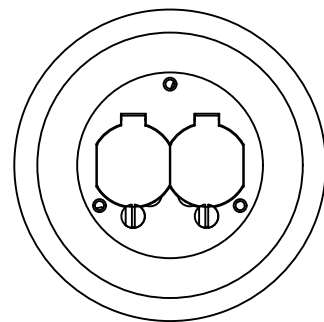
S2925
SA2925



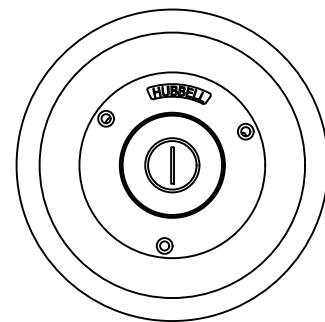
S3525



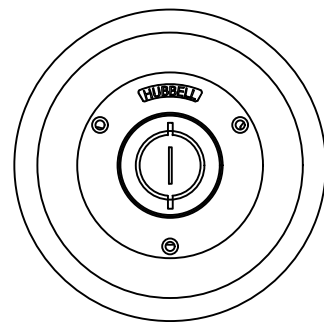
S3325



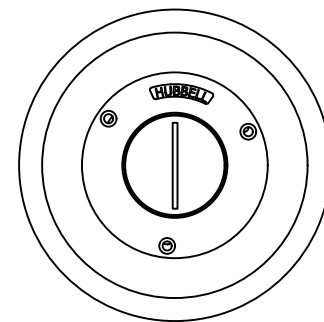
SF3925



SF2525



SF2725



SF2925

SHOWN SINGLE SERVICE COVERS SOLD SEPARATELY

LIST OF PARTS

DESCRIPTION	MATERIAL	FINISH
SEE SHEET 1		

DIMENSION SHEET FOR CAT. NO. B2588275

1	INITIAL RELEASE. PER DCN 22067	DDL	04/18/16
REV	DESCRIPTION	APP	DATE

THE DESIGN AND DIMENSIONS OF THE PRODUCT SHOWN ON THIS DRAWING ARE SUBJECT TO CHANGE WITHOUT NOTICE. DIMENSIONS ARE IN INCHES [mm].

TITLE
CAST, ROUND ONE GANG, WOOD FLOOR BOX



WIRING DEVICE-KELLEMS
HUBBELL INCORPORATED
SHELTON, CT

TOLERANCES UNLESS OTHERWISE SPECIFIED .XX = ±.01 .XXX = ±.005 ANGLE TOL. ±2'	DR. BY	SCALE	NONE
	CHK. BY DDL	DATE	04/15/16

SHEET 2 OF 2

B

M-13195

1