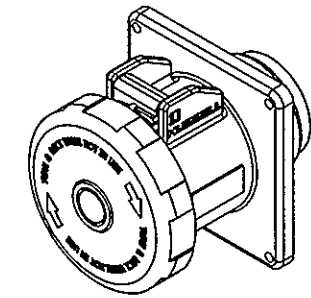
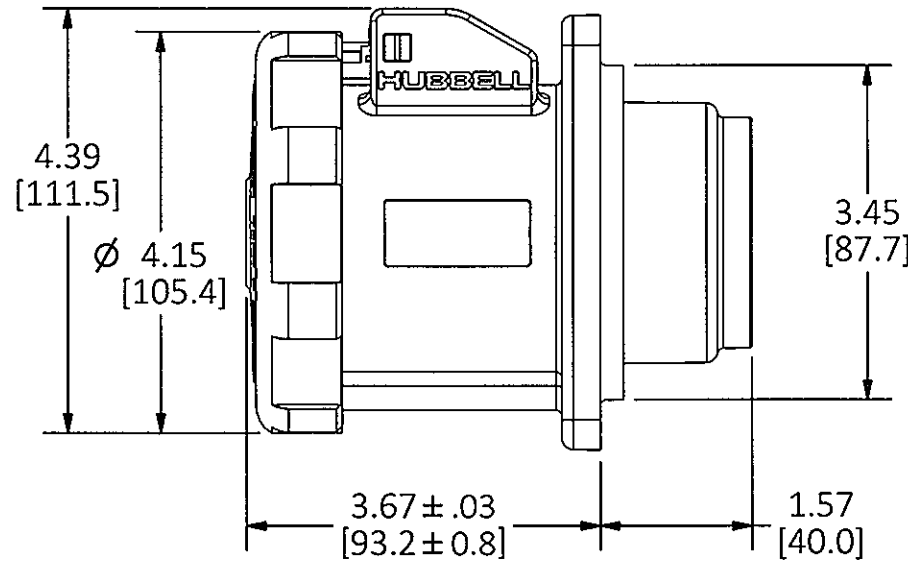
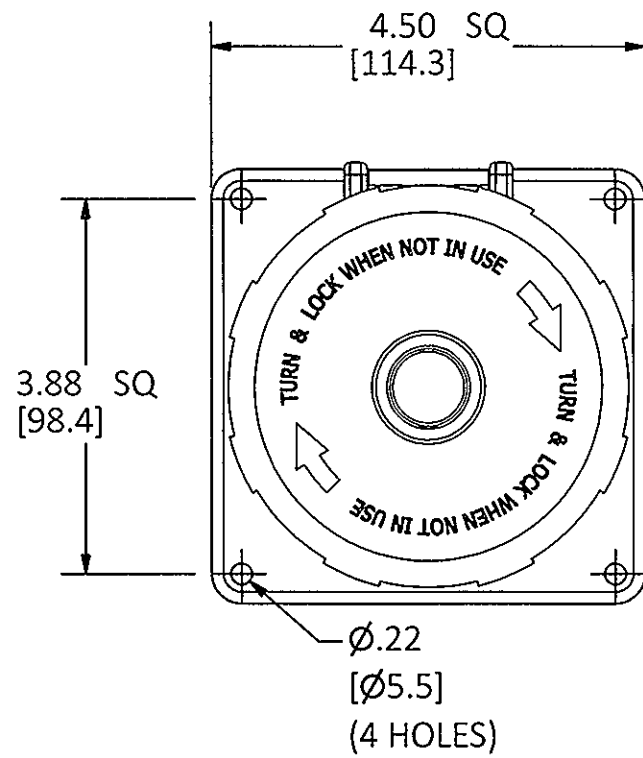


M-13319

1



CAT. NO.	CONFIG.	RATING	HOUSING COLOR	PILOT
HBL360R3W		60A 250VDC	BLUE	NO
HBL360R4W		60A 125VAC	YELLOW	NO
HBL360R4WP		60A 125VAC	YELLOW	YES
HBL360R6W		60A 250VAC 63A - 6h/200-250V~	BLUE	NO
HBL360R6WP		60A 250VAC 63A - 6h/200-250V~	BLUE	YES
HBL360R7W		60A 480VAC	RED	NO
HBL360R7WP		60A 480VAC	RED	YES
HBL360R8WDC		60A 550VDC	BLACK	NO

LIST OF PARTS		
DESCRIPTION	MATERIAL	FINISH
HOUSING	PBT	
INTERIOR	THERMOSET	
SLEEVES	BRASS	
SLEEVE SPRINGS	BERR COPPER	SILVER
TERMINAL SCR.	ST. STEEL	
COVER	PBT	
GASKET	CLOSED CELL FOAM	
HINGE ARM	PBT	
HINGE PIN	BRASS	NICKEL
HINGE SPRING	ST. STEEL	
GLAND CAP	PBT	
GLANDS	NEOPRENE	
CLAMPS	PBT	
CLAMP NUTS	BRASS	NICKEL
ASSY. SCREWS	ST. STEEL	

1	INITIAL RELEASE PER DCN 21982 Mr.B <i>Mr.B</i>	TLS	3/10/16
REV	DESCRIPTION	APP	DATE

THE DESIGN AND DIMENSIONS OF THE PRODUCT SHOWN ON THIS DRAWING ARE SUBJECT TO CHANGE WITHOUT NOTICE. DIMENSIONS ARE IN INCHES [mm].

TITLE  
60A & 63A 2 POLE 3 WIRE PIN AND SLEEVE RECEPTACLE

WIRING DEVICE-KELLEMS  
HUBBELL INCORPORATED  
SHELTON, CT

TOLERANCES UNLESS OTHERWISE SPECIFIED XX = ± .01 XXX = ± .005 ANGLE TOL. ±2'	DR. BY Mr.B	SCALE 1:2
	CHK. BY TLS	DATE 3/2/16

DIMENSION SHEET FOR CAT. NO. SEE TABLE

B

M-13319

1