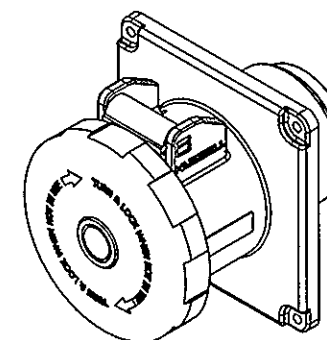
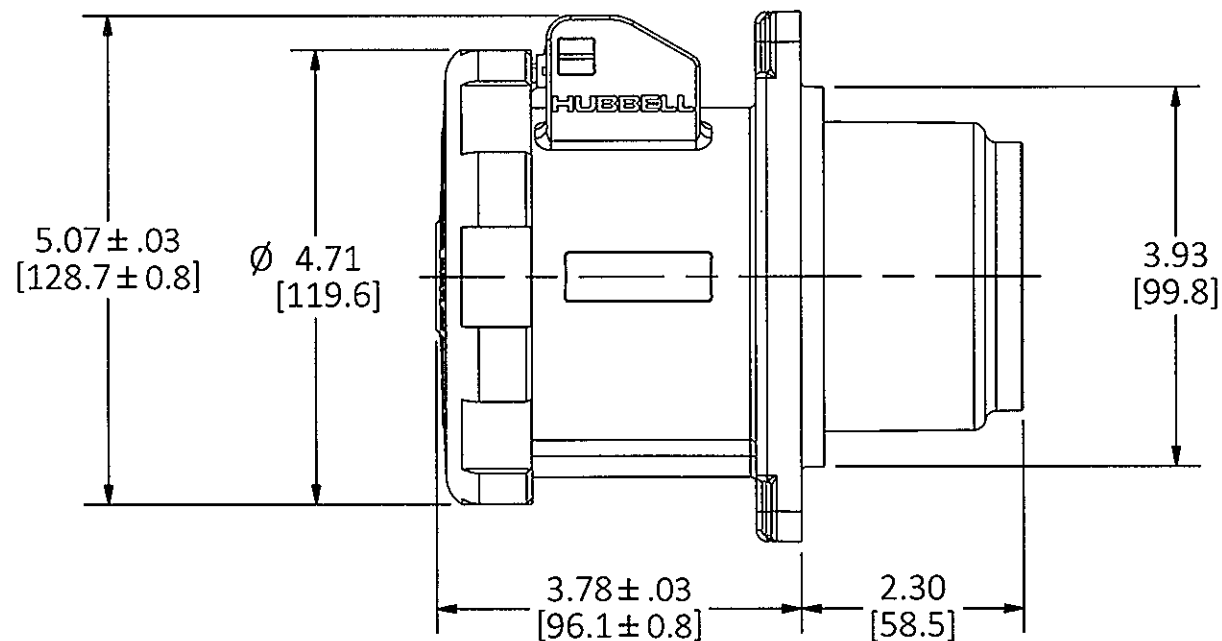
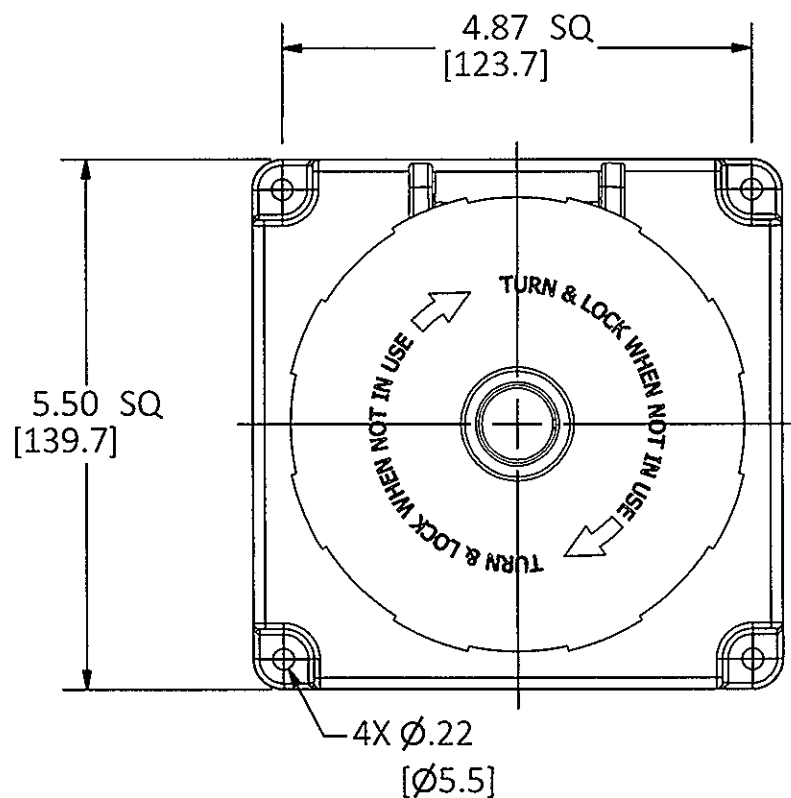


M-13322

1



LIST OF PARTS		
DESCRIPTION	MATERIAL	FINISH
HOUSING	PBT	
INTERIOR	THERMOSET	
SLEEVES	BRASS	
SLEEVE SPRINGS	BERR COPPER	SILVER
TERMINAL SCR.	ST. STEEL	
COVER	PBT	
GASKET	CLOSED CELL FOAM	
HINGE ARM	PBT	
HINGE PIN	BRASS	NICKEL
HINGE SPRING	ST. STEEL	
GLAND CAP	PBT	
GLANDS	NEOPRENE	
CLAMPS	PBT	
CLAMP NUTS	BRASS	NICKEL
ASSY. SCREWS	ST. STEEL	

CAT. NO.	CONFIG.	RATING	HOUSING COLOR	PILOT
HBL3100R3W		100A 250VDC	BLUE	NO
HBL3100R4W		100A 125VAC	YELLOW	NO
HBL3100R4WP		100A 125VAC	YELLOW	YES
HBL3100R6W		100A 250VAC 125A - 6h/200-250V~	BLUE	NO
HBL3100R6WP		100A 250VAC 125A - 6h/200-250V~	BLUE	YES
HBL3100R7W		100A 480VAC	RED	NO
HBL3100R7WP		100A 480VAC	RED	YES
HBL3100R8WDC		100A 550VDC	BLACK	NO

1	INITIAL RELEASE PER DCN 21982 Mr. B	TLS	3/10/16
REV	DESCRIPTION	APP	DATE

THE DESIGN AND DIMENSIONS OF THE PRODUCT SHOWN ON THIS DRAWING ARE SUBJECT TO CHANGE WITHOUT NOTICE. DIMENSIONS ARE IN INCHES [mm].

TITLE  
100A & 125A 2 POLE 3 WIRE PIN AND SLEEVE RECEPTACLE

WIRING DEVICE-KELLEMS  
HUBBELL INCORPORATED  
SHELTON, CT

TOLERANCES UNLESS OTHERWISE SPECIFIED .XX = #.01 .XXX = #.005 ANGLE TOL. #Z	DR. BY Mr. B	SCALE 1:2
	CHK. BY TLS	DATE 3/2/16

DIMENSION SHEET FOR CAT. NO. SEE TABLE

B

M-13322

1