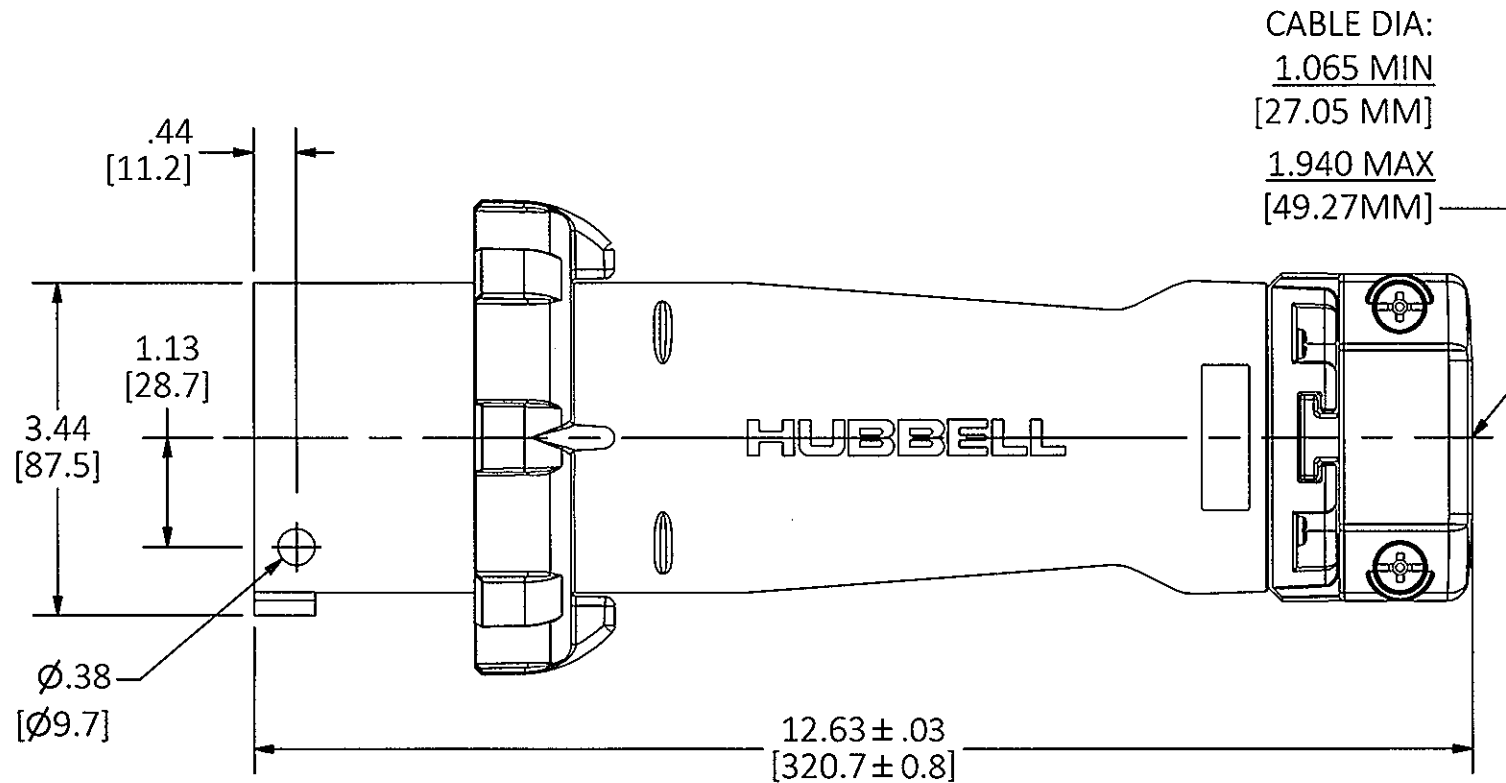
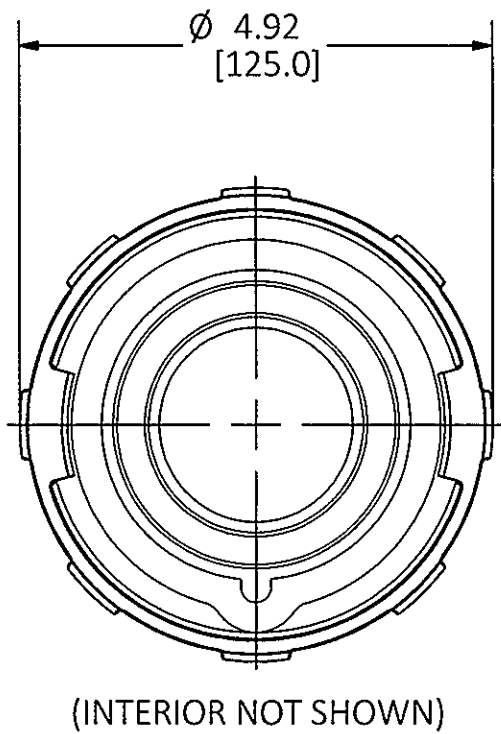
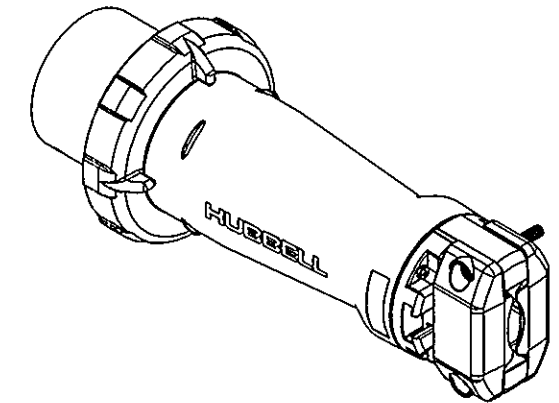


M-13336

1



LIST OF PARTS		
DESCRIPTION	MATERIAL	FINISH
HOUSING	PBT	
GASKET	RUBBER	
LOCKING RING	PBT	
INTERIOR	THERMOSET	
PINS	BRASS	
TERM. SCREWS	ST. STEEL	
GLAND CAP	PBT	
GLANDS	RUBBER	
CLAMPS	PBT	
CLAMP NUTS	BRASS	NICKEL
ASSY SCREWS	ST. STEEL	



CAT. NO.	CONFIG.	RATING	HOUSING COLOR	PILOT
HBL5100P5W		100A 347/600VAC 3Ø	BLACK	NO
HBL5100P5WP		100A 347/600VAC 3Ø	BLACK	YES
HBL5100P6W		100A 200/346-240/415VAC 3Ø 125A - 6h/200/346-240/415V~	RED	NO
HBL5100P6WP		100A 200/346-240/415VAC 3Ø 125A - 6h/200/346-240/415V~	RED	YES
HBL5100P7W		100A 277/480VAC 3Ø	RED	NO
HBL5100P7WP		100A 277/480VAC 3Ø	RED	YES
HBL5100P8V0DC		100A 400VDC	RED	NO
HBL5100P9W		100A 120/208VAC 3Ø 125A - 9h/120/208-144/250V~	BLUE	NO
HBL5100P9WP		100A 120/208VAC 3Ø 125A - 9h/120/208-144/250V~	BLUE	YES

1	INITIAL RELEASE PER DCN 21982 Mr. B. [Signature]	TLS	3/10/16
REV	DESCRIPTION	APP	DATE

THE DESIGN AND DIMENSIONS OF THE PRODUCT SHOWN ON THIS DRAWING ARE SUBJECT TO CHANGE WITHOUT NOTICE. DIMENSIONS ARE IN INCHES [mm].

TITLE  
100A & 125A 4 POLE 5 WIRE PIN AND SLEEVE PLUGS



TOLERANCES UNLESS OTHERWISE SPECIFIED .XX = ± .01 .XXX = ± .005 ANGLE TOL. ± 2	DR. BY Mr. B	SCALE 1:2
	CHK. BY TLS	DATE 3/2/16

DIMENSION SHEET FOR CAT. NO.

SEE TABLE

B

M-13336

1