

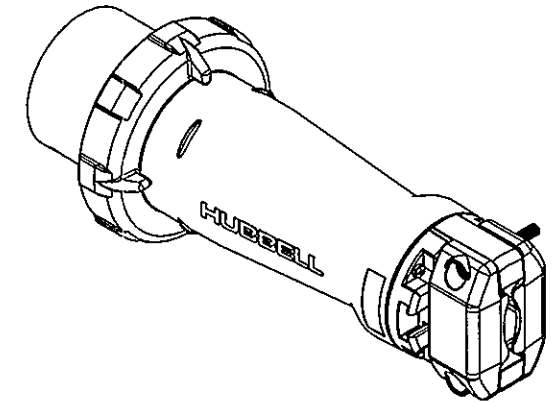
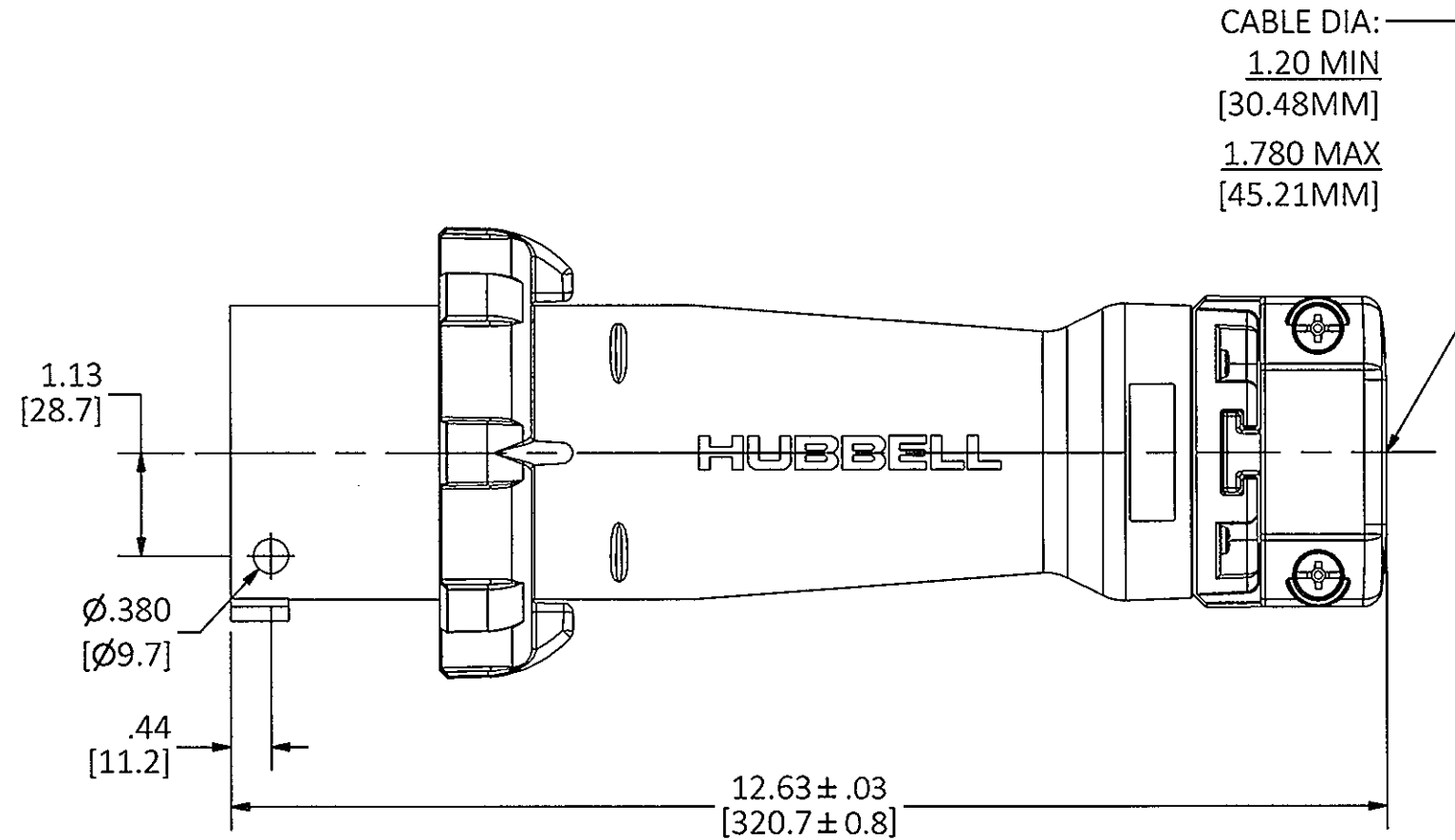
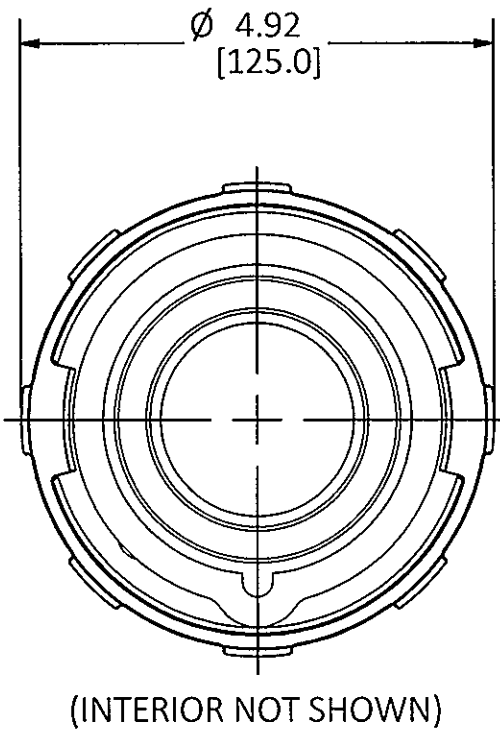
M-13357

1

LIST OF PARTS

| DESCRIPTION | MATERIAL | FINISH |
|--------------|-----------|--------|
| HOUSING | PBT | |
| GASKET | RUBBER | |
| LOCKING RING | PBT | |
| INTERIOR | THERMOSET | |
| PINS | BRASS | |
| TERM. SCREWS | ST. STEEL | |
| GLAND CAP | PBT | |
| GLANDS | RUBBER | |
| CLAMPS | PBT | |
| CLAMP NUTS | BRASS | NICKEL |
| ASSY SCREWS | ST. STEEL | |

DIMENSION SHEET FOR CAT. NO. SEE TABLE



| CAT. NO. | CONFIG. | RATING | HOUSING COLOR | PILOT |
|----------|---------|-----------------|---------------|-------|
| M4100P12 | | 100A 125/250VAC | YELLOW | NO |

| REV | DESCRIPTION | APP | DATE |
|-----|--|-----|---------|
| 1 | INITIAL RELEASE PER DCN 21982 Mr. B <i>Mr. B</i> | TLS | 3/10/16 |

THE DESIGN AND DIMENSIONS OF THE PRODUCT SHOWN ON THIS DRAWING ARE SUBJECT TO CHANGE WITHOUT NOTICE. DIMENSIONS ARE IN INCHES [mm].

TITLE
100A 3 POLE 4 WIRE PIN AND SLEEVE PLUGS - MARINE



WIRING DEVICE-KELLEMS
HUBBELL INCORPORATED
SHELTON, CT

| | | |
|---|--------------|-------------|
| TOLERANCES UNLESS OTHERWISE SPECIFIED .XX = ± .01 .XXX = ± .005 ANGLE TOL. ± 2 | DR. BY Mr. B | SCALE 1:2 |
| | CHK. BY TLS | DATE 3/2/16 |

B

M-13357

1