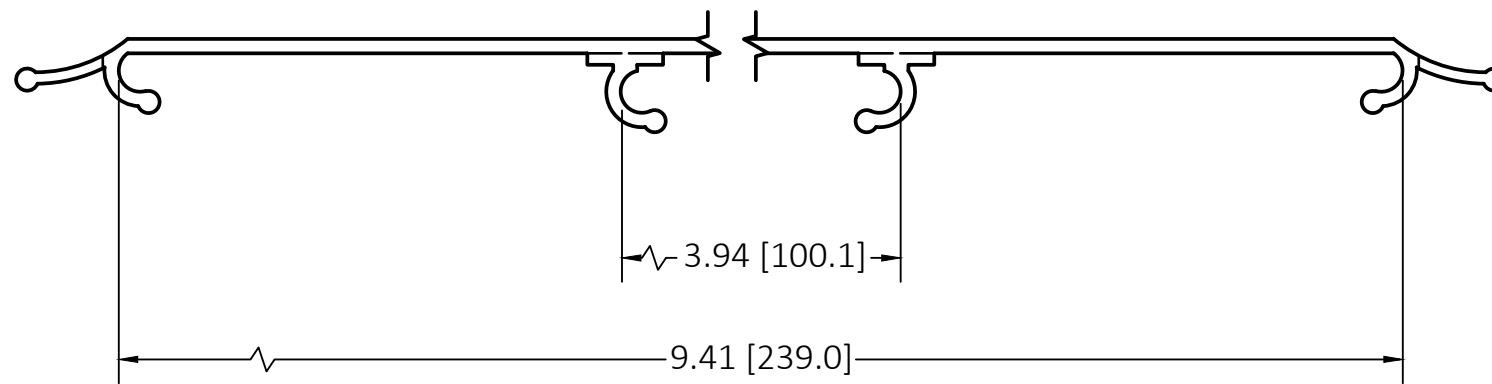
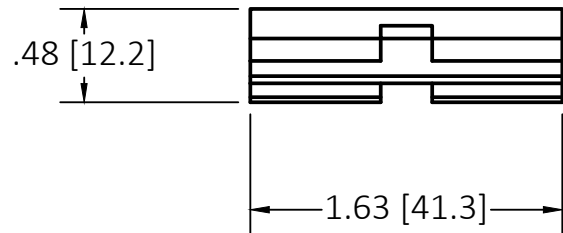
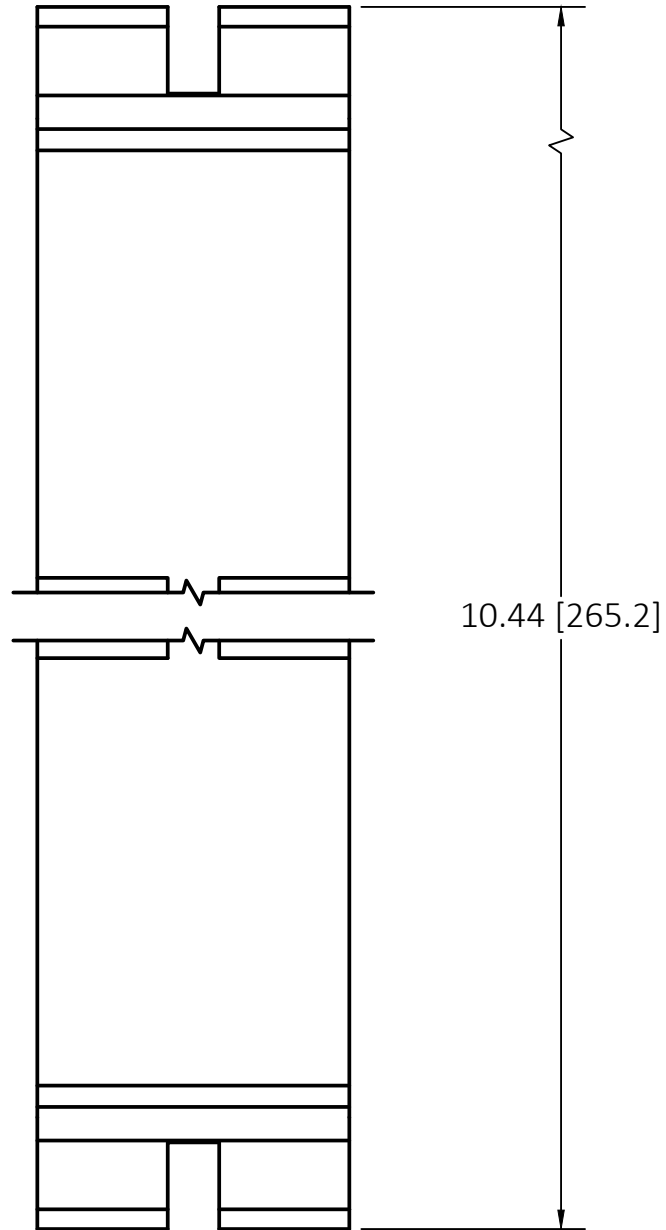


M-13502

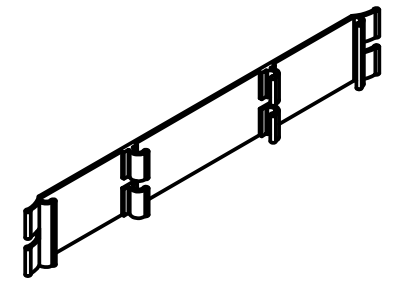
1



LIST OF PARTS

DESCRIPTION	MATERIAL	FINISH
CLIP	POLYMER	WHITE

DIMENSION SHEET FOR CAT. NO.  
HBTLC



CATALOG NO. HBTLC  
(NOT SHOWN TO SCALE)

1	INITIAL DOCUMENT	DDL	11/15/16
	RELEASE PER DCN 22750		
REV	DESCRIPTION	APP	DATE

THE DESIGN AND DIMENSIONS OF THE  
PRODUCT SHOWN ON THIS DRAWING ARE  
SUBJECT TO CHANGE WITHOUT NOTICE.  
DIMENSIONS ARE IN INCHES [mm].

TITLE

LABEL CLIP



WIRING DEVICE-KELLEMS  
HUBBELL INCORPORATED  
SHELTON, CT

TOLERANCES UNLESS OTHERWISE SPECIFIED .XX = ± .01 .XXX = ± .005 ANGLE TOL. ±2°	DR. BY BJ	SCALE NONE
	CHK. BY MN	DATE 08/16/16

B

M-13502

1