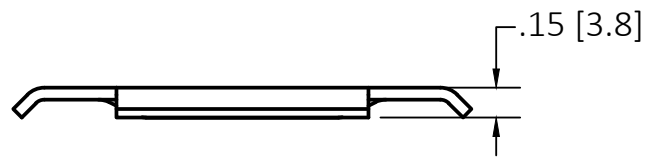
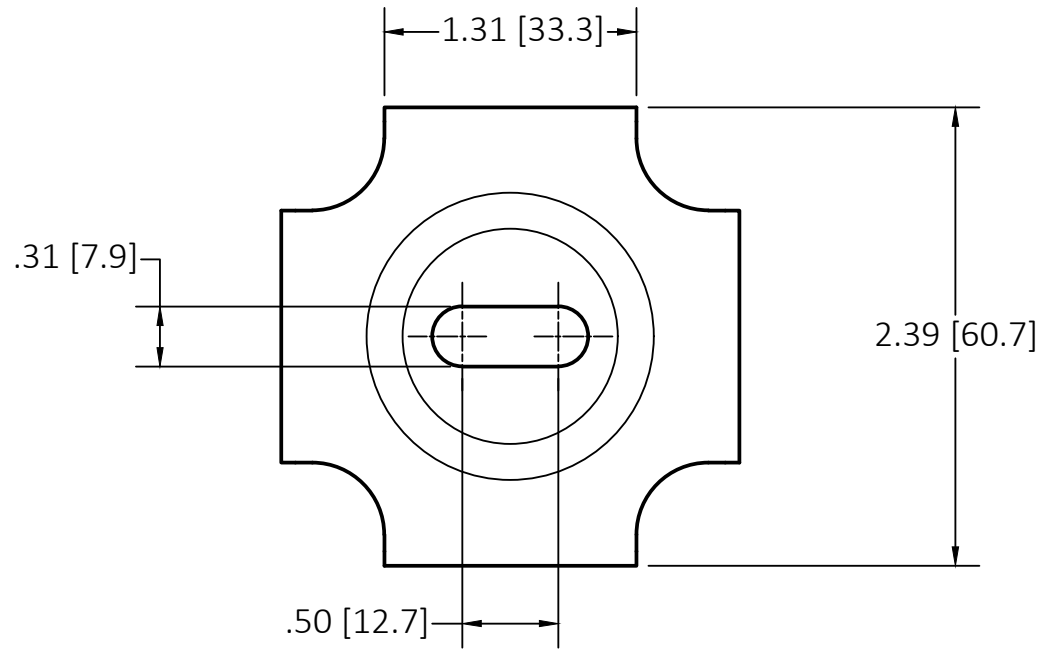
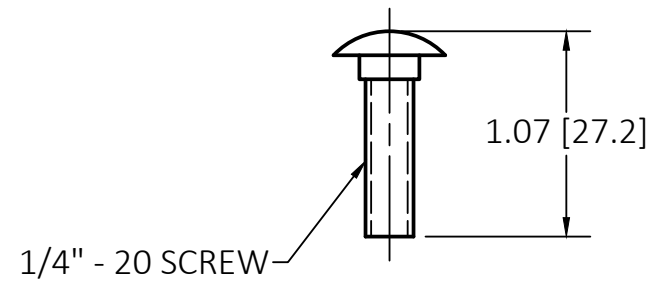


M-13510

1



WASHER



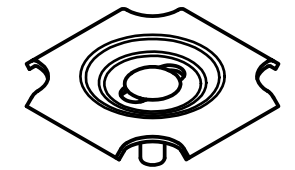
SCREW

NOTES:

- 1/4"-20 SELF-TAPPING SCREW AND HBTWS
50 PIECES PER BOX

LIST OF PARTS

DESCRIPTION	MATERIAL	FINISH
WASHER SUPPORT	STEEL	PRE-GALVANIZED
SELF TAPPING SCREW	STEEL	ZINC PLATED




CATALOG NO. HBTUGS
(NOT SHOWN TO SCALE)

1	INITIAL DOCUMENT RELEASE PER DCN 22750	DDL	11/15/16
REV	DESCRIPTION	APP	DATE

THE DESIGN AND DIMENSIONS OF THE PRODUCT SHOWN ON THIS DRAWING ARE SUBJECT TO CHANGE WITHOUT NOTICE. DIMENSIONS ARE IN INCHES [mm].

TITLE

TRAY GROUNDING FASTENER



WIRING DEVICE-KELLEMS
HUBBELL INCORPORATED
SHELTON, CT

TOLERANCES UNLESS OTHERWISE SPECIFIED .XX = ±.01 .XXX = ±.005 ANGLE TOL. ±2'	DR. BY BJ	SCALE NONE
	CHK. BY MN	DATE 08/16/16

DIMENSION SHEET FOR CAT. NO. HBTUGS

B

M-13510

1