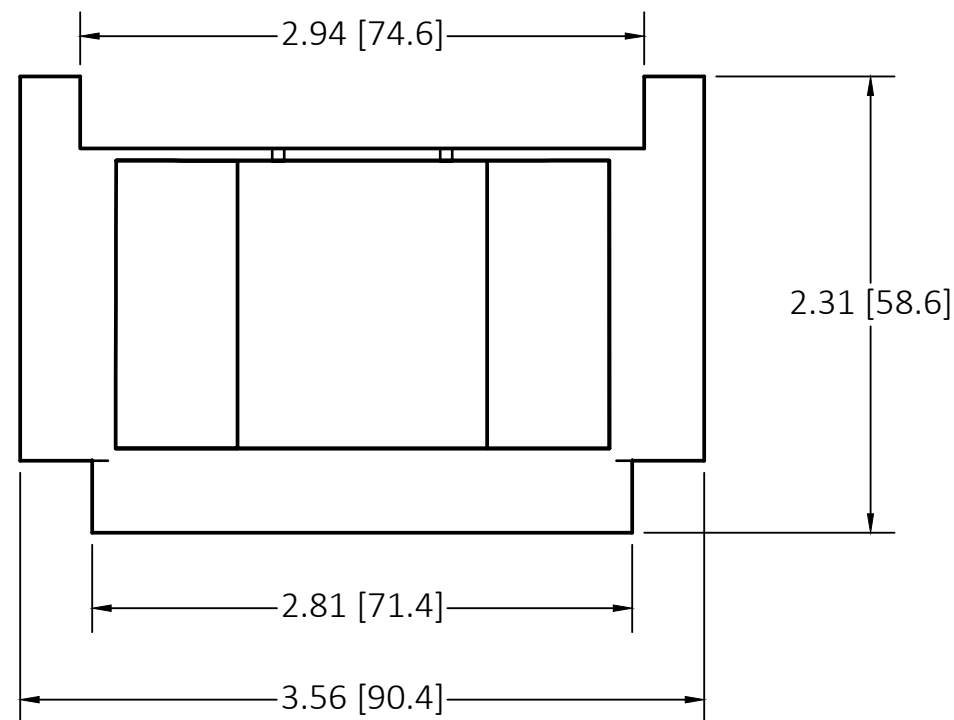
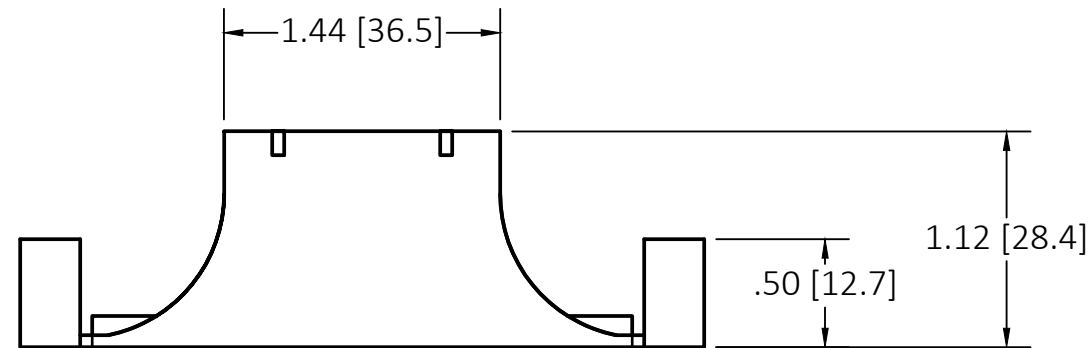


M-13511

1

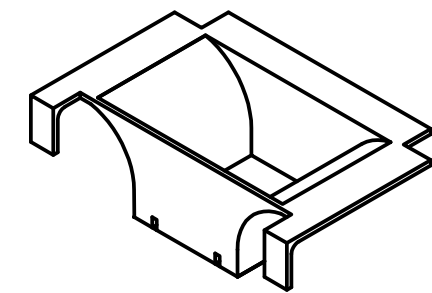


NOTES:

1. INSTALLED INTO THE BOTTOM OF THE BASKET TRAY TO PREVENT PINCH-POINTS AND MAINTAIN A RADIUS BEND OF THE CABLES

LIST OF PARTS

DESCRIPTION	MATERIAL	FINISH
DROP OUT	POLYMER	BLACK

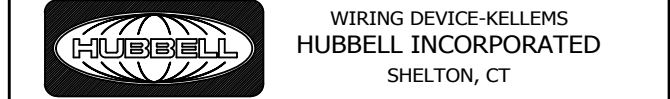


CATALOG NO. HBTCDBK
(NOT SHOWN TO SCALE)

1	INITIAL DOCUMENT RELEASE PER DCN 22750	DDL	11/15/16
REV	DESCRIPTION	APP	DATE

THE DESIGN AND DIMENSIONS OF THE PRODUCT SHOWN ON THIS DRAWING ARE SUBJECT TO CHANGE WITHOUT NOTICE. DIMENSIONS ARE IN INCHES [mm].

TITLE
CABLE DROP OUT



TOLERANCES UNLESS OTHERWISE SPECIFIED .XX = ±.01 .XXX = ±.005 ANGLE TOL. ±2'	DR. BY BJ	SCALE NONE
	CHK. BY MN	DATE 08/16/16

DIMENSION SHEET FOR CAT. NO. HBTCDBK

B

M-13511

1