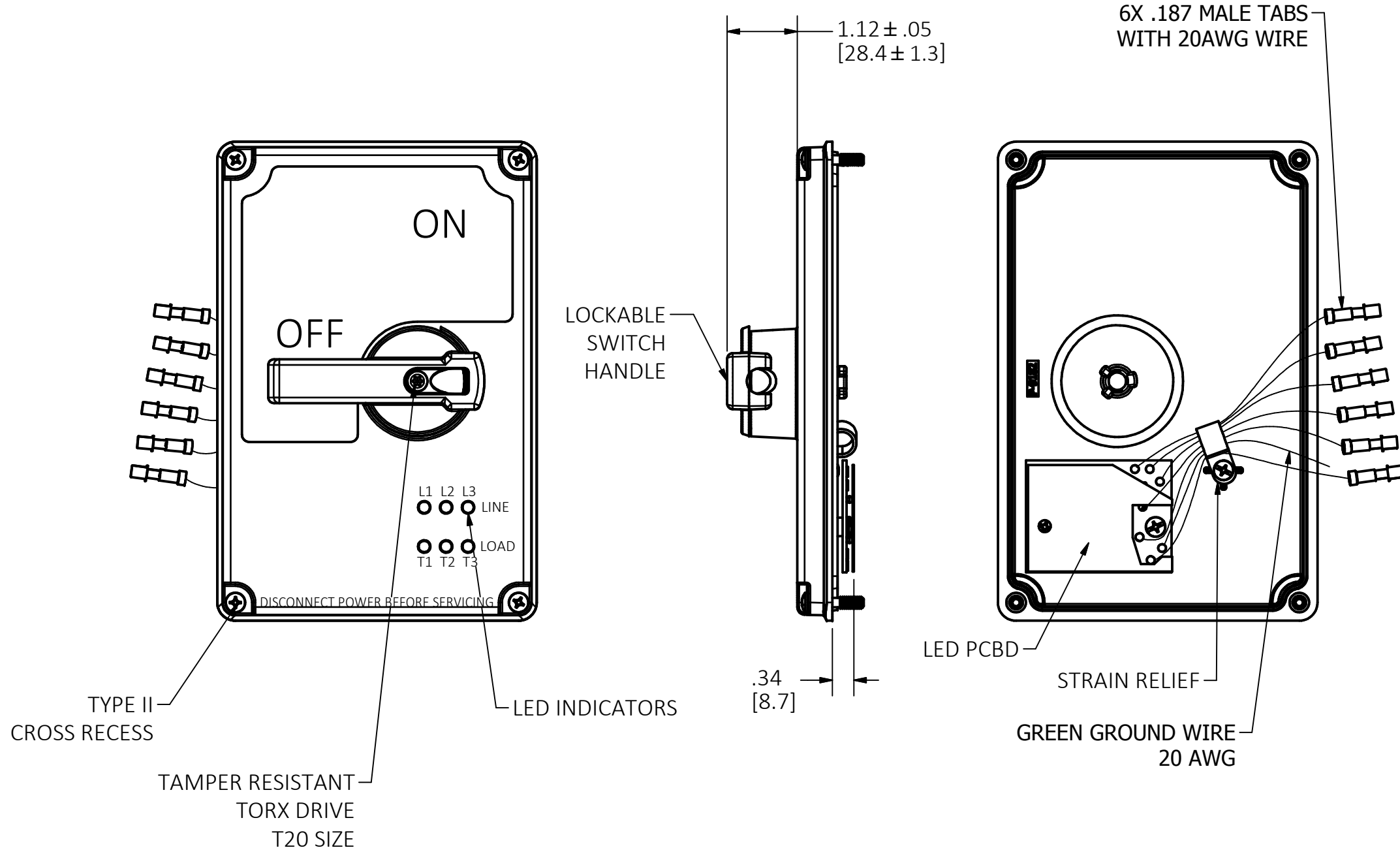


M-13544

1

REPLACEMENT COVER  
WITH LED INDICATORS  
USE ONLY REPLACEMENT COVER HBLDS3RCP  
WITH HUBBELL INC. CAT NO. HBLDS3 SERIES ENCLOSURES  
NSF CERTIFIED AND IP69K RATING

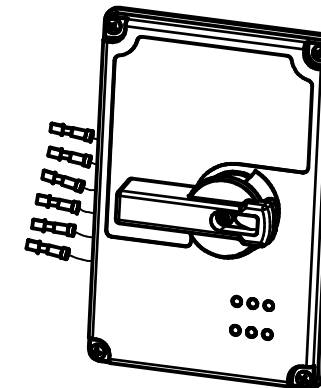


NOTES UNLESS OTHERWISE SPECIFIED:

1. DIMENSIONS SHOWN ARE IN INCHES [mm].
2. ENCLOSURE TYPE 4X, 12.
3. cULus LISTED.
4. FOR INSTALLATION OF REPLACEMENT COVER REFER TO PD2786 INSTALLATION INSTRUCTION.

CATALOG NO. HBLDS3P	
30 AMP 600V A.C. RATINGS	
HP	VOLTAGE
1 HP	120V AC 1∅
3 HP	200-240V AC 1∅
5 HP	480V AC 1∅
7.5 HP	200-240V AC 3∅
15 HP	480V AC 3∅
15 HP	600V AC 3∅

LIST OF PARTS		
DESCRIPTION	MATERIAL	FINISH
ALL EXTERNAL	UV STABILIZED	
PLASTIC PARTS	POLYESTER/ POLYCARBONATE BLEND	
ALL EXTERNAL SCREWS AND HARDWARE	STAINLESS STEEL	
LED PCB LENS	PC	



CATALOG NO. HBLDS3RCP  
(NOT SHOWN TO SCALE)

1	NEW RELEASE PER DCN 22777 CAC		01/04/17
REV	DESCRIPTION	APP	DATE

THE DESIGN AND DIMENSIONS OF THE  
PRODUCT SHOWN ON THIS DRAWING ARE  
SUBJECT TO CHANGE WITHOUT NOTICE.  
DIMENSIONS ARE IN INCHES [mm].

TITLE  
CIRCUIT-LOCK™ DISCONNECT SWITCH  
REPLACEMENT COVER LED  
INDICATORS



WIRING DEVICE-KELLEMS  
HUBBELL INCORPORATED  
SHELTON, CT

TOLERANCES UNLESS OTHERWISE SPECIFIED .XX = ±.01 .XXX = ±.005 ANGLE TOL. ±2'	DR. BY CAC	SCALE 1/2
	CHK. BY	DATE 01-04-2016