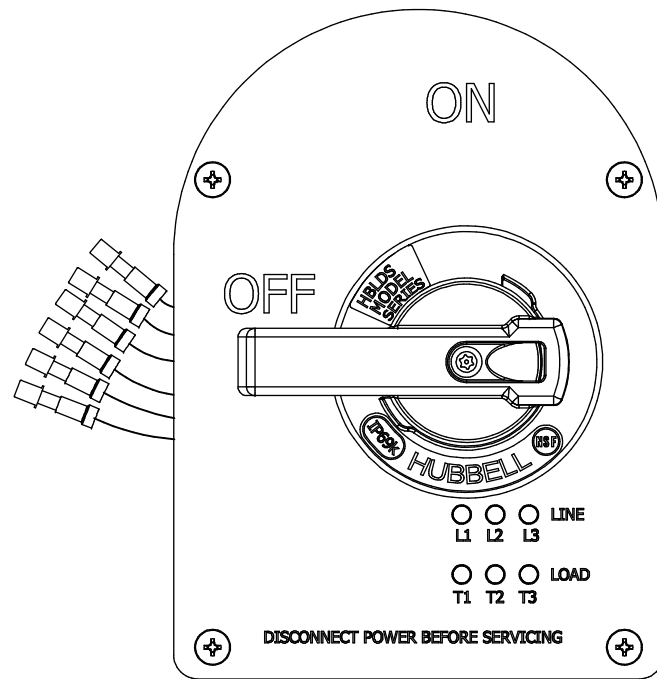
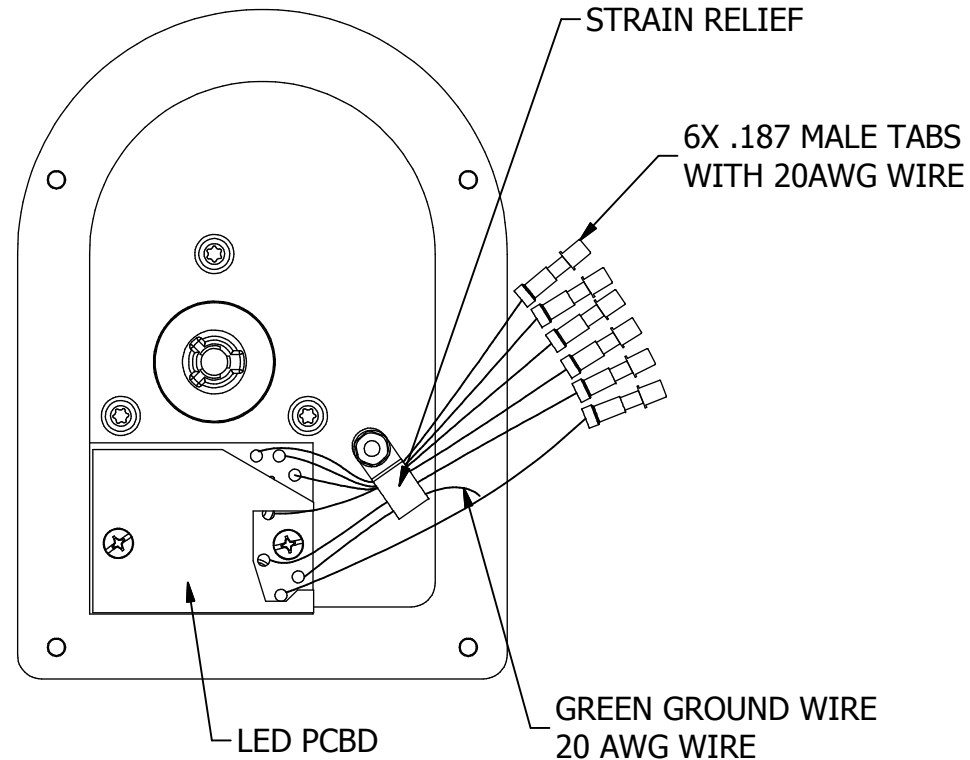
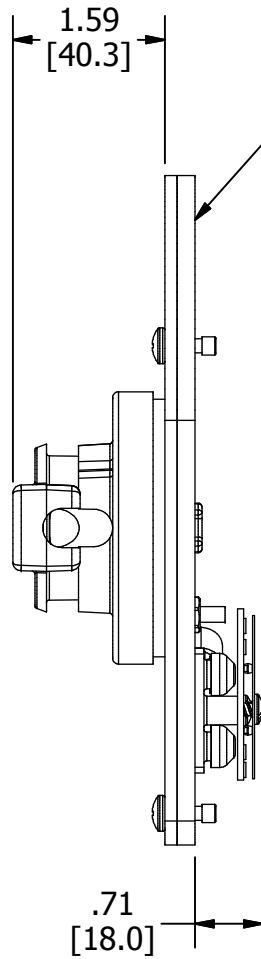


M-13546 1



REPLACEMENT COVER WITH LED INDICATORS

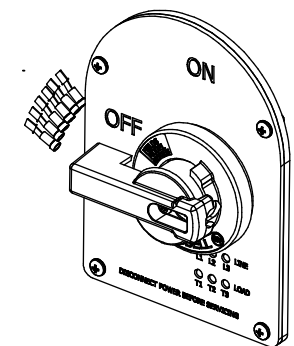
USE ONLY REPLACEMENT COVER HBLDS3SSRRCP WITH HUBBELL INC. CAT NO. HBLDS3SSR SERIES ENCLOSURES NSF CERTIFIED AND IP69K RATING



30A 600V A.C. RATINGS	
HP	VOLTAGE
1 HP	120V AC 1Ø
3 HP	200-240V AC 1Ø
5 HP	480V AC 1Ø
7.5 HP	200-240V AC 3Ø
15 HP	480V AC 3Ø
15 HP	600V AC 3Ø

- NOTES UNLESS OTHERWISE SPECIFIED:
- CATALOG NUMBER: HBLDS3SSRRCP.
  - DIMENSIONS SHOWN ARE IN INCHES [mm].
  - ENCLOSURE TYPE 4X, 12.
  - cULus LISTED.
  - FOR INSTALLATION OF REPLACEMENT COVER REFER TO PD2788 INSTALLATION INSTRUCTION.

LIST OF PARTS		
DESCRIPTION	MATERIAL	FINISH
COVER & HARDWARE	STAINLESS STEEL	
HANDLE & MOUNT	PBT	
GASKET	EPDM FOAM	
PCBD W/LED LENS	PC	



REPAIRABLE  NON-REPAIRABLE

1	RELEASED PER DCN# 22777 CAC TLS	TLS	01/06/17
SYM	DESCRIPTION	APPROVED	DATE

THE DESIGN AND DIMENSIONS OF THE PRODUCT SHOWN ON THIS DRAWING ARE SUBJECT TO CHANGE WITHOUT NOTICE			
---	--	--	--

TITLE CIRCUIT-LOCK™ 30 AMP SLOPED TOP STAINLESS STEEL REPLACEMENT COVER LED INDICATORS

TOLERANCES UNLESS OTHERWISE SPECIFIED	WIRING DEVICE-KELLEMS HUBBELL INCORPORATED SHELTON, CT		
FRACTIONS ± 1/64	DR. BY CAC	APP. BY TLS	
DECIMALS ± .030	TR. BY	SCALE NONE	
ANGLES ± 2°	CHK'D BY TLS	DATE 1/6/2017	

DIMENSION SHEET FOR CAT. NO. HBLDS3SSRRCP

B | M-13546 | 1