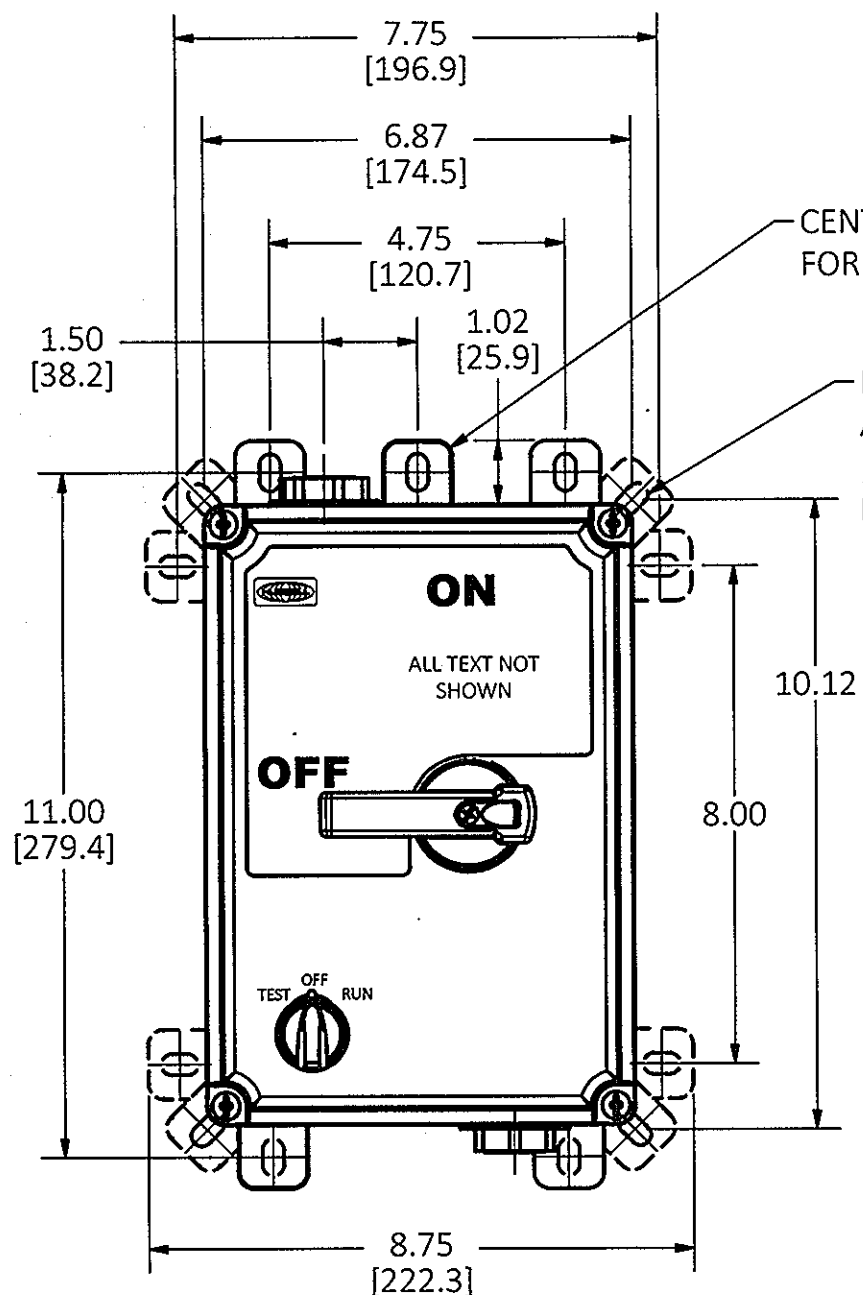


M-13547

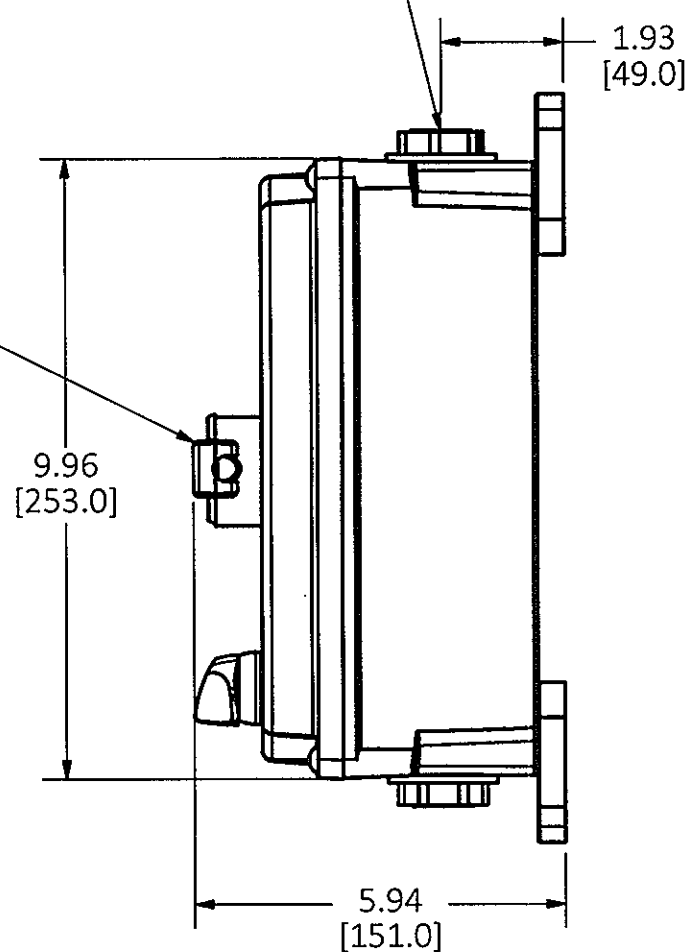
1



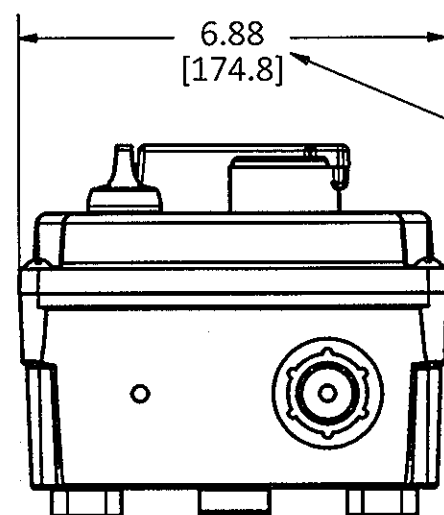
CENTER MOUNTING OPTION FOR 3-POINT MOUNTING

MOVABLE FEET WILL ACCEPT UP TO 5/16 IN. [7.94mm] DIA. MOUNTING BOLT

LOCKABLE HANDLE (OFF POSITION ONLY)



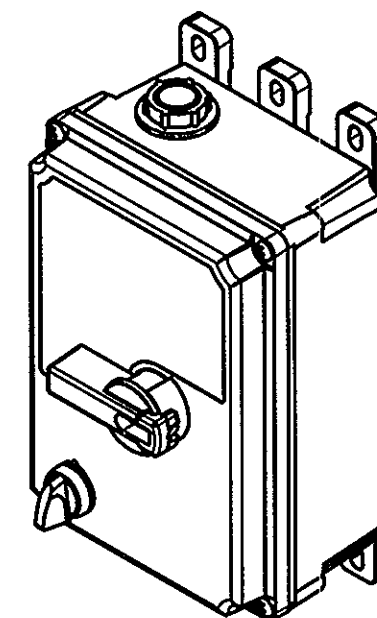
2X 1-1/4 IN. NPT CONDUIT FITTING SUPPLIED, PROVISION FOR TOP, BOTTOM & TOP FEED CUSTOMER TO DRILL OR PUNCH 1-3/4- IN. [44.45mm] DIA. HOLE FOR CONDUIT FITTING



CAN BE MOUNTED INSIDE AN 8 IN. [230mm] I BEAM

NOTES:  
 1-ENCLOSURE TYPE 4X & 12.  
 2-cULus LISTED.  
 3-NSF CERTIFIED AND IPK69 RATED.

LIST OF PARTS		
DESCRIPTION	MATERIAL	FINISH
ALL EXTERNAL PLASTIC PARTS	UV STABILIZED POLYESTER BLEND	
ALL EXTERNAL SCREWS	STAINLESS STEEL	
THREADED HUB	DIE CAST	
INSULATED THROAT	ZINC	
JOG SWITCH	PLASTIC	



CATALOG NO. HBLDS6J  
 NOT SHOWN TO SCALE

CATALOG NO.	
HBLDS6J	
60 AMP	600 VAC
7.5 HP (5.6kw)	120 VAC 1 Ø
15 HP (11.19 kw)	200-240 VAC 1 Ø
30 HP (22.37 kw)	480 VAC 1 Ø
30 HP (22.37 kw)	200-240 VAC 3 Ø
50 HP (37.28 kw)	480 VAC 3 Ø
50 HP (37.28 kw)	600 VAC 3 Ø

REV	DESCRIPTION	APP	DATE
1	RELEASED PER DCN22833.	EM	1/16/17

THE DESIGN AND DIMENSIONS OF THE PRODUCT SHOWN ON THIS DRAWING ARE SUBJECT TO CHANGE WITHOUT NOTICE. DIMENSIONS ARE IN INCHES [mm].

TITLE  
 DIMENSION SHEET FOR 60A CIRCUIT LOCK DISCONNECT SWITCH W/JOG SWITCH



WIRING DEVICE-KELLEMS  
 HUBBELL INCORPORATED  
 SHELTON, CT

TOLERANCES UNLESS OTHERWISE SPECIFIED .XX = ±.01 .XXX = ±.005 ANGLE TOL. ±2'	DR. BY MZ	SCALE 1/3
	CHK. BY EM	DATE 1/11/17

DIMENSION SHEET FOR CAT. NO. HBLDS6J

B

M-13547

1