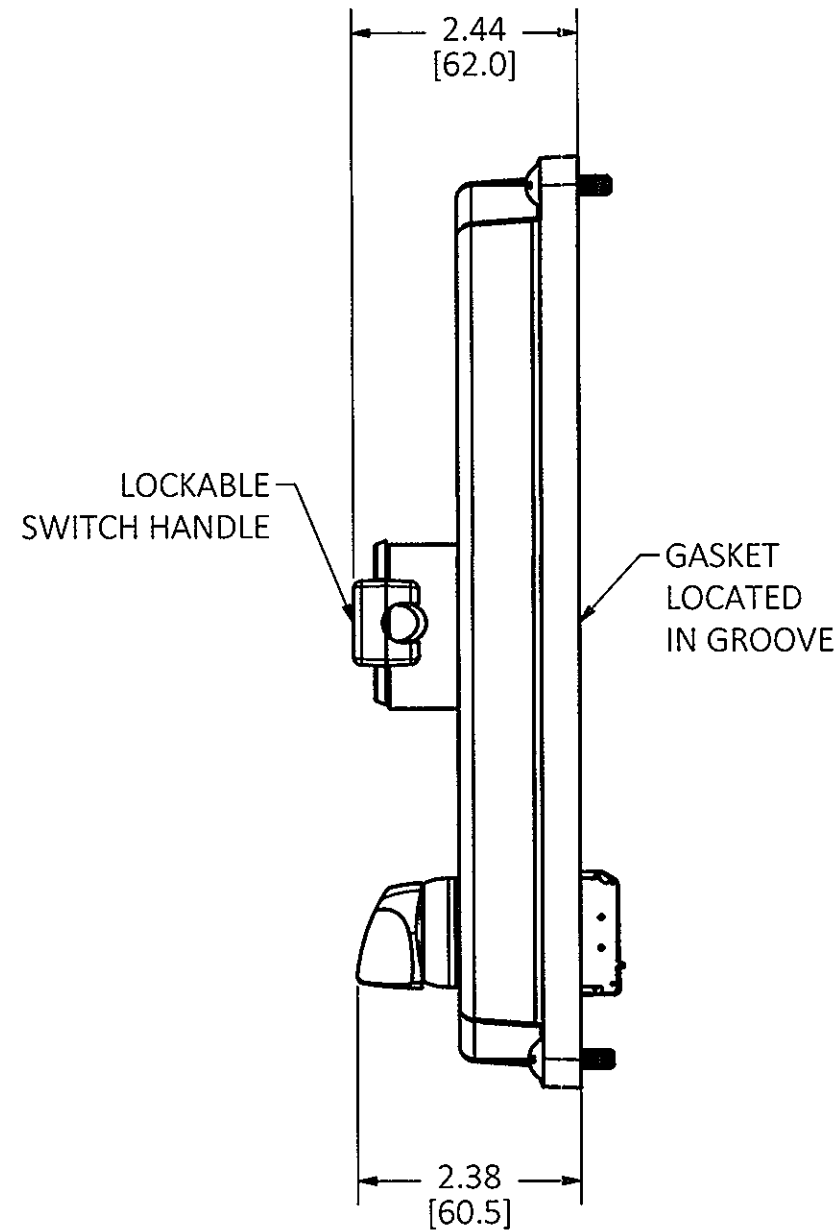
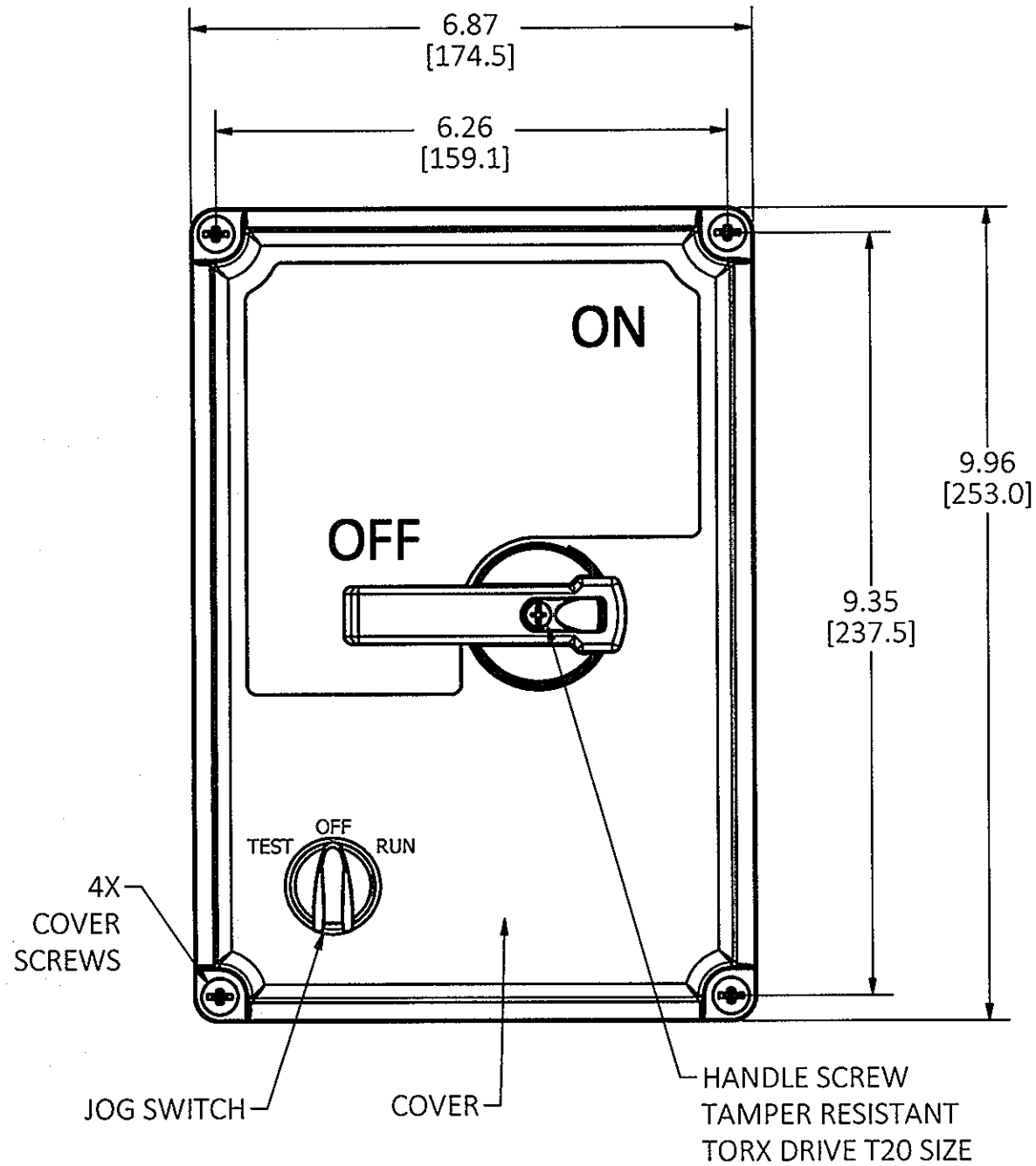


M-13548

1



NOTES:
1-ENCLOSURE TYPE 4X & 12.
2-cULus LISTED.
3-NSF CERTIFIED AND IPK69 RATED.

CATALOG NO.'S	REPLACEMENT COVER FOR
HBLDS6RCJ	HBLDS6J

DIMENSIONS IN INCHES [mm]


LIST OF PARTS

DESCRIPTION	MATERIAL	FINISH
COVER	PBT	MT-11010
SHAFT ADAPTER	PBPT	SMOOTH
HANDLE	PBPT	MT-11010
4X COVER SCREWS	ST. STEEL	
HANDLE SCREW	ST. STEEL	
GASKET	NEOPRENE	
JOG SWITCH	PLASTIC	

1	NEW RELEASE PER ECN22833.	EM	11/16/17
REV	DESCRIPTION	APP	DATE

THE DESIGN AND DIMENSIONS OF THE PRODUCT SHOWN ON THIS DRAWING ARE SUBJECT TO CHANGE WITHOUT NOTICE. DIMENSIONS ARE IN INCHES [mm].

TITLE
HUBBELL CIRCUIT LOCK MOTOR DISCONNECT REPLACEMENT COVER WITH JOG SWITCH

 WIRING DEVICE-KELLEMS
HUBBELL INCORPORATED
SHELTON, CT

TOLERANCES UNLESS OTHERWISE SPECIFIED .XX = ±.01 .XXX = ±.005 ANGLE TOL. ±2'	DR. BY MJZ	SCALE 1/2
	CHK. BY EM	DATE 1/13/17

DIMENSION SHEET FOR CAT. NO. HBLDS6RCJ

B

M-13548

1