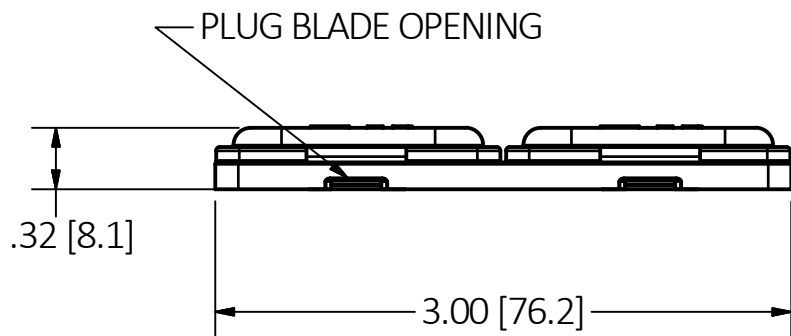
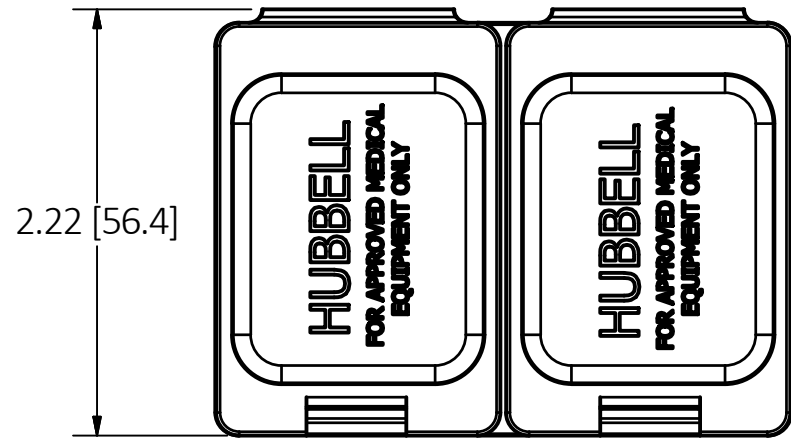


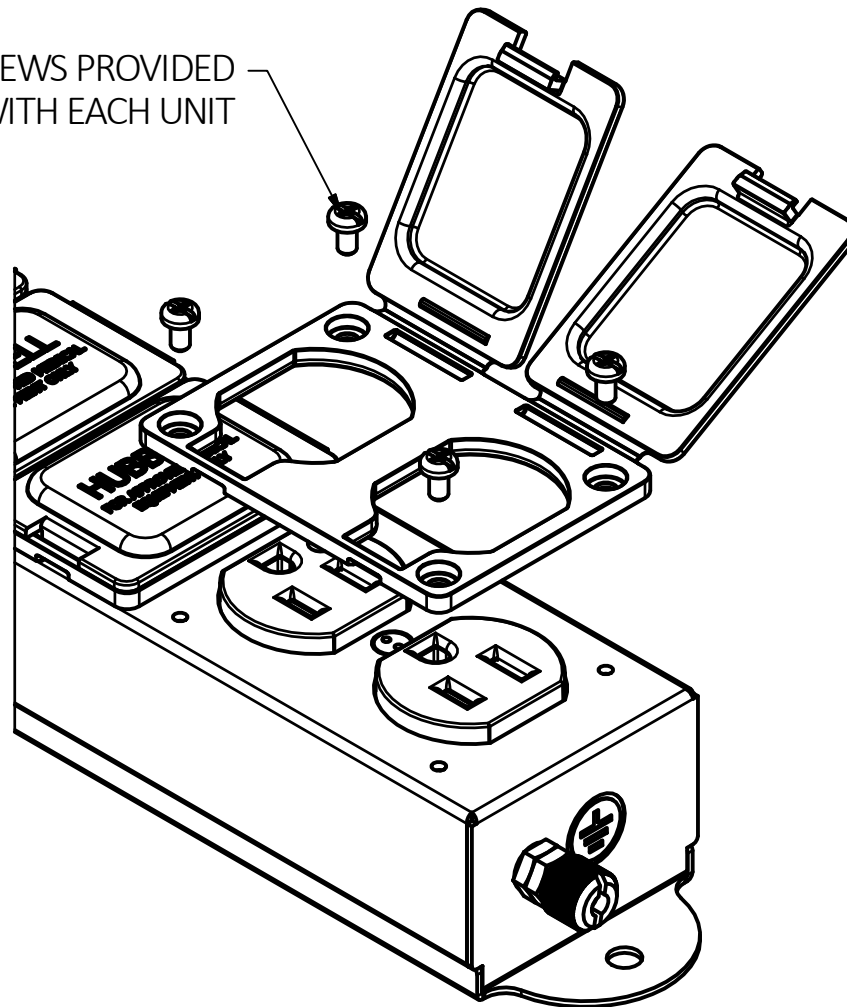
M-13701

1



CATALOG NUMBER: ROCMGS

(4) #6-32 SCREWS PROVIDED WITH EACH UNIT



HBL6MGXX WITH ROCMGS INSTALLATION

NOTES:

- FOR USE WITH HBL6MGxx AND HBL6MGRPTxx SERIES HEALTH CARE FACILITY OUTLET ASSEMBLIES.
- ALL DIMENSIONS ARE: IN [MM].

LIST OF PARTS

DESCRIPTION	MATERIAL	FINISH
OUTLET COVER	THERMOPLASTIC	WHITE
SCREWS	STAINLESS STEEL	-

DIMENSION SHEET FOR CAT. NO. ROCMGS

B

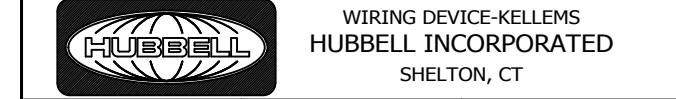
M-13701

1

1	RELEASED PER DCN#23185	EMD	6/22/17
REV	DESCRIPTION	APP	DATE

THE DESIGN AND DIMENSIONS OF THE PRODUCT SHOWN ON THIS DRAWING ARE SUBJECT TO CHANGE WITHOUT NOTICE. DIMENSIONS ARE IN INCHES [mm].

TITLE
CUSTOMER DRAWING: REPLACEMENT OUTLET COVERS



TOLERANCES UNLESS OTHERWISE SPECIFIED .XX = ± .01 .XXX = ± .005 ANGLE TOL. ±2°	DR. BY EMD CHK. BY	SCALE 1 : 1 DATE 6/22/17
---	-----------------------	-----------------------------