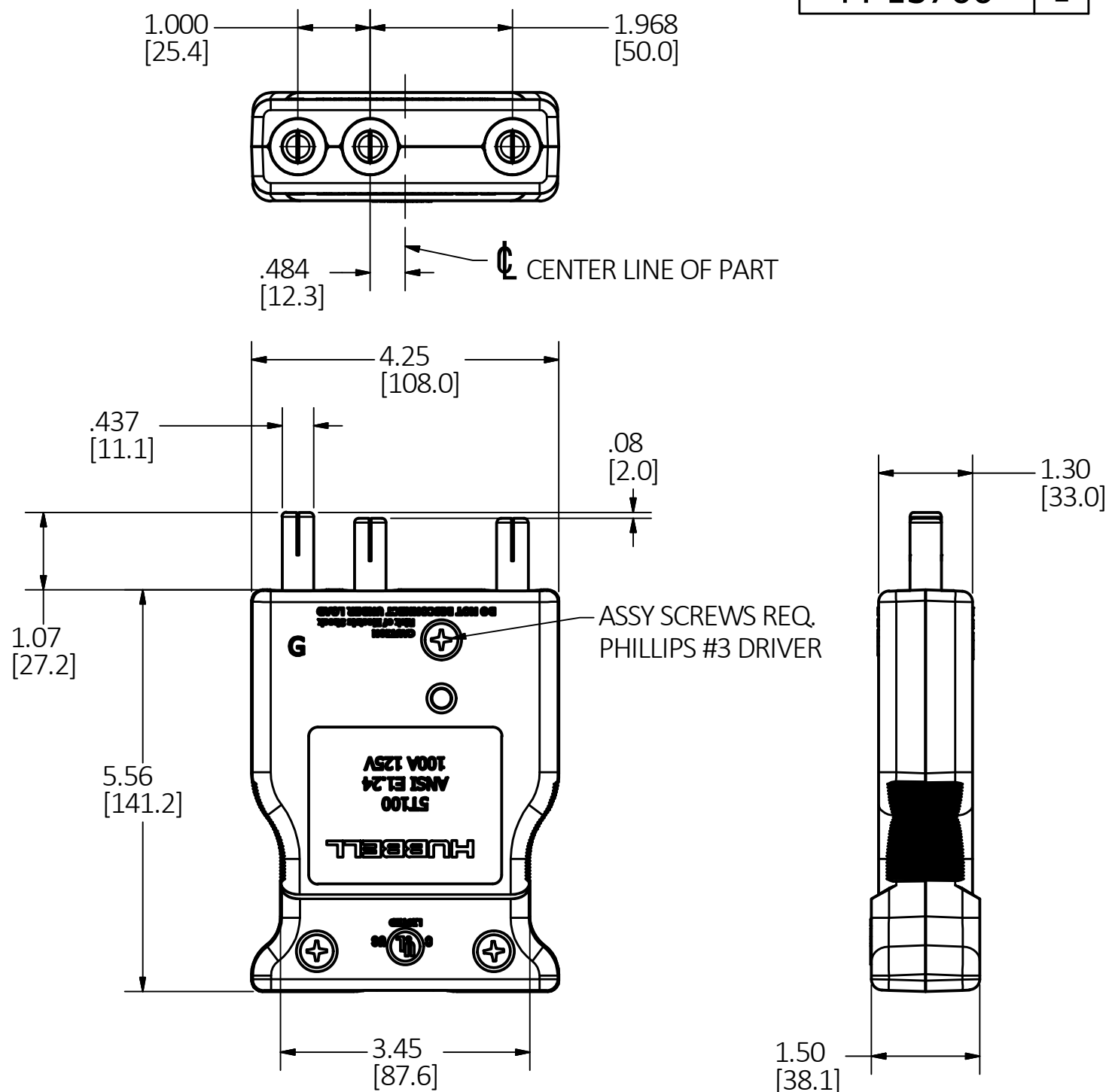
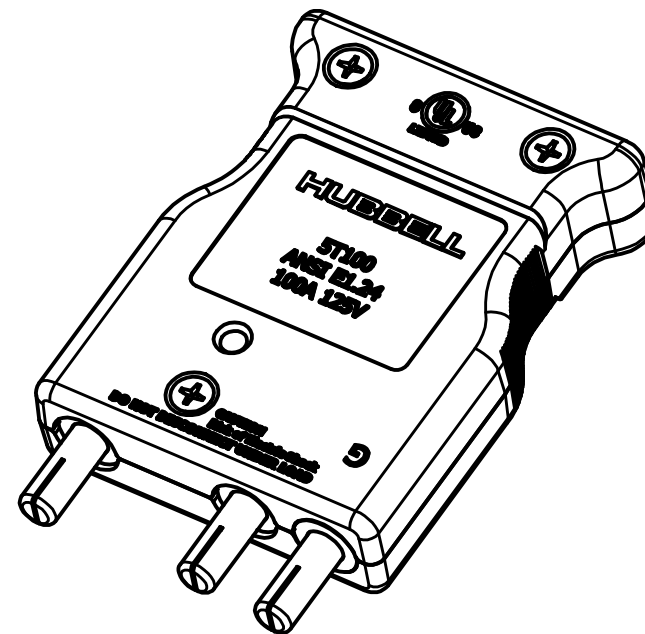


M-13766

1



| LIST OF PARTS | | |
|-------------------|---------------|------------|
| DESCRIPTION | MATERIAL | FINISH |
| TOP | NYLON | BLACK |
| BOTTOM | NYLON | BLACK |
| MALE PINS | BRASS | |
| THERMOSET SLEEVES | PHENOLIC | BLACK |
| STRAIN RELIEFS | NYLON | BLACK |
| SCREWS | THD. FORMING | BLACK |
| WIRE FERRULE | COPPER | TIN PLATED |
| TERM. SCREWS | STAINLESS ST. | |
| | | |
| | | |
| | | |
| | | |
| | | |
| | | |
| | | |
| | | |

DIMENSION SHEET FOR CAT. NO. HBL100SPM

- NOTES: UNLESS OTHERWISE SPECIFIED:
1. DIMENSIONS ARE IN INCHES [mm] AND ARE FOR REFERENCE ONLY.
 2. cULus Listed.
 3. MEETS ESTA CONFIGURATION TYPE 5T100, ANSI E1.24 STANDARD.
 4. ELECTRICAL RATING: 100A 125V.
 5. CABLE RANGE #2AWG OR #4AWG - (GROUNDING WIRE #6AWG MINIMUM).
 6. FERRULE SIZES #2, #4 AND #6 INCLUDED.

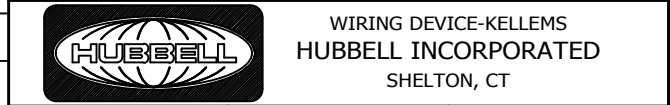
CAGE CODE 74545

| TABLE | |
|------------------------|---------------------------------|
| CABLE TYPES | NUMBER OF STRAIN RELIEF INSERTS |
| (2) #4SC + (1)#6SC GRN | 2 |
| (4) #4SC + (2)#6SC GRN | 1 |
| (2)#2SC + (1)#6SC GRN | 2 |
| #6/3C TYPE W | 1 |
| #4/3C TYPE SOOW | 1 |

| 1 | NEW RELEASE PER DCN 23458 CAC | | 11-29-17 |
|-----|-------------------------------|-----|----------|
| REV | DESCRIPTION | APP | DATE |

THE DESIGN AND DIMENSIONS OF THE PRODUCT SHOWN ON THIS DRAWING ARE SUBJECT TO CHANGE WITHOUT NOTICE. DIMENSIONS ARE IN INCHES [mm].

TITLE
100A (125V) STAGE PIN IN-LINE MALE



| | | |
|--|------------|---------------|
| TOLERANCES UNLESS OTHERWISE SPECIFIED .XX = ±.01 XXX = ±.005 ANGLE TOL. ±2° | DR. BY CAC | SCALE 1/2 |
| | CHK. BY | DATE 10-26-17 |

B

M-13766

1