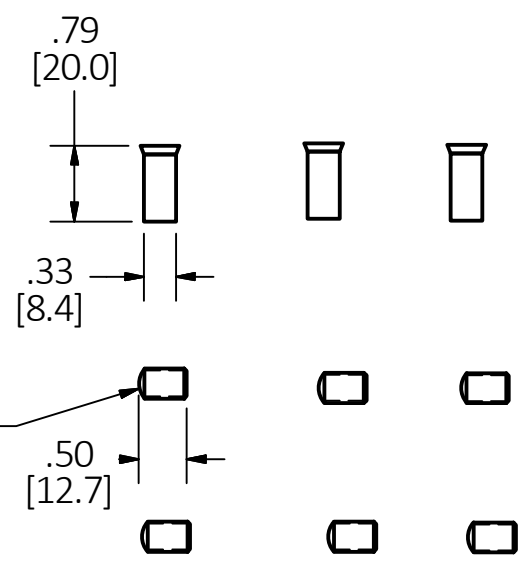
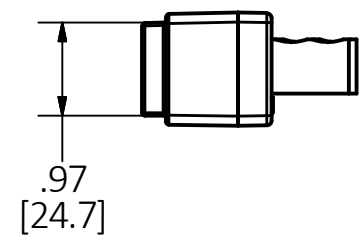
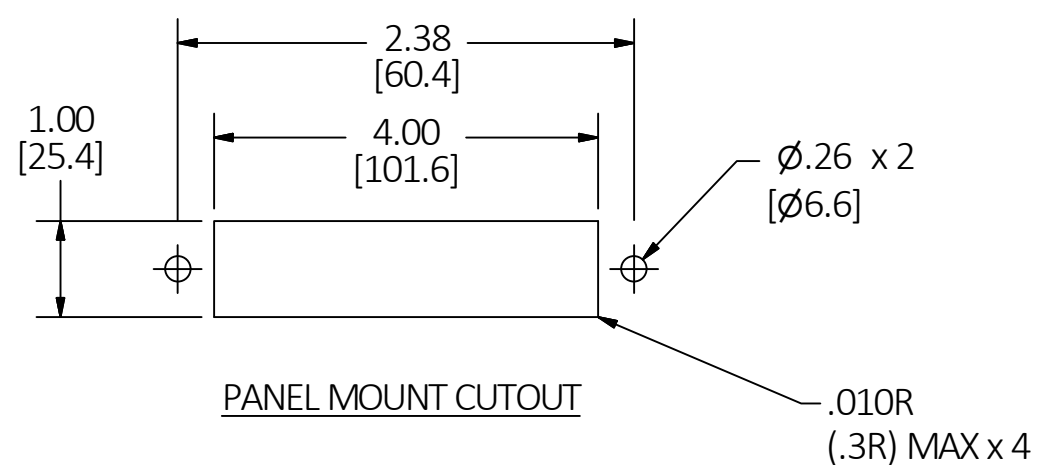
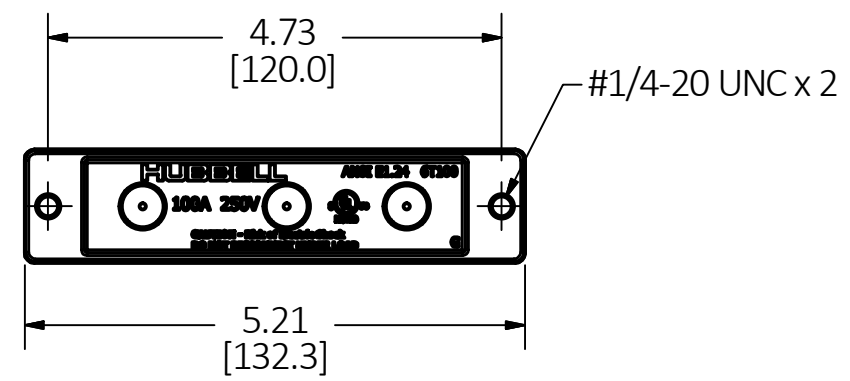
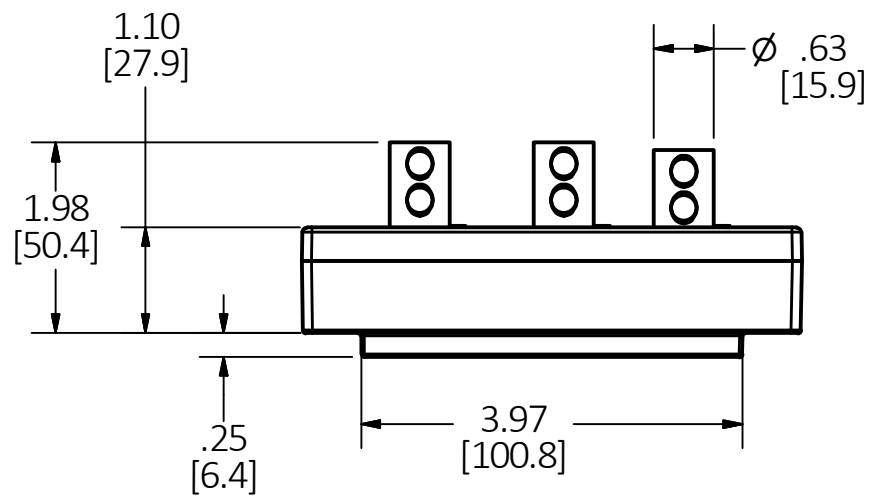


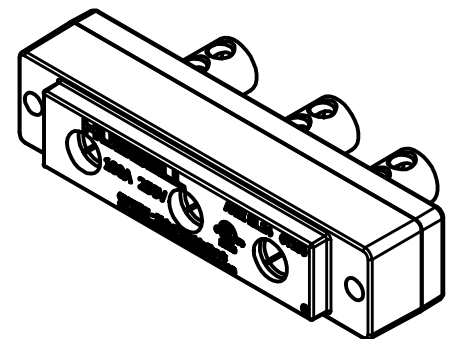
M-13781

1



- NOTES:
1. DIMENSION ARE IN INCHES (mm) AND ARE FOR REFERENCE ONLY.
 2. cULus LISTED AND MEETS ESTA ANSI E1.24 STANDARD
 3. WIRE RANGE: #2 AWG, #4 AWG, #6 AWG.
 4. FERRULE PROVIDED FOR #2 AWG WIRE. FOR DIFFERENT WIRE SIZE, USE APPROPRIATE UL LISTED FERRULE NOT PROVIDED.
 5. SET SCREW TERMINAL TORQUE: 20 IN-LBS.
 6. MOUNTING SCREWS: #1/4-20 x 1.25 NOT PROVIDED.

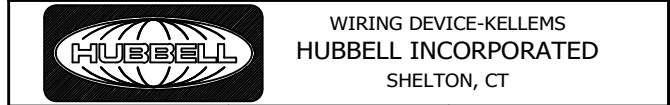
LIST OF PARTS		
DESCRIPTION	MATERIAL	FINISH
TOP	NYLON	BLACK
BOTTOM	NYLON	BLACK
FEMALE CONTACTS	BRASS	BRASS
ASSY SCREWS	STEEL	ZINC
FERRULES	TIN	TIN
SET SCREW	STAINLESS STEEL	PASSIVATED



1	ORIGINAL RELEASE PER DCN 23376	PFN	11/6/17
REV	DESCRIPTION	APP	DATE

THE DESIGN AND DIMENSIONS OF THE PRODUCT SHOWN ON THIS DRAWING ARE SUBJECT TO CHANGE WITHOUT NOTICE. DIMENSIONS ARE IN INCHES [mm].

TITLE
106A STAGE PIN PANEL MOUNT DSS FEMALE



TOLERANCES UNLESS OTHERWISE SPECIFIED .XX = ±.01 .XXX = ±.005 ANGLE TOL. ±2°	DR. BY PFN	SCALE 1/2
	CHK. BY	DATE 11/6/2017

DIMENSION SHEET FOR CAT. NO. HBL106SPFR

B

M-13781

1