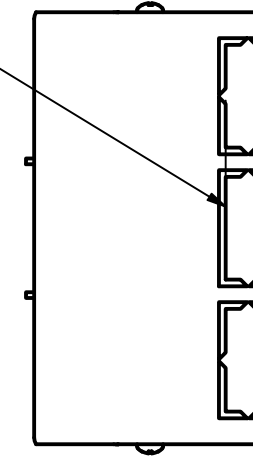


M-14215

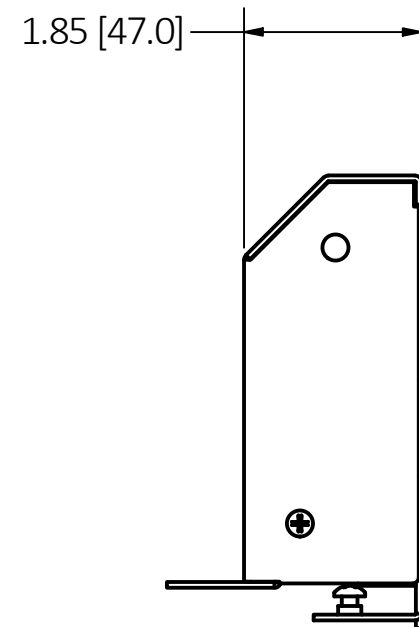
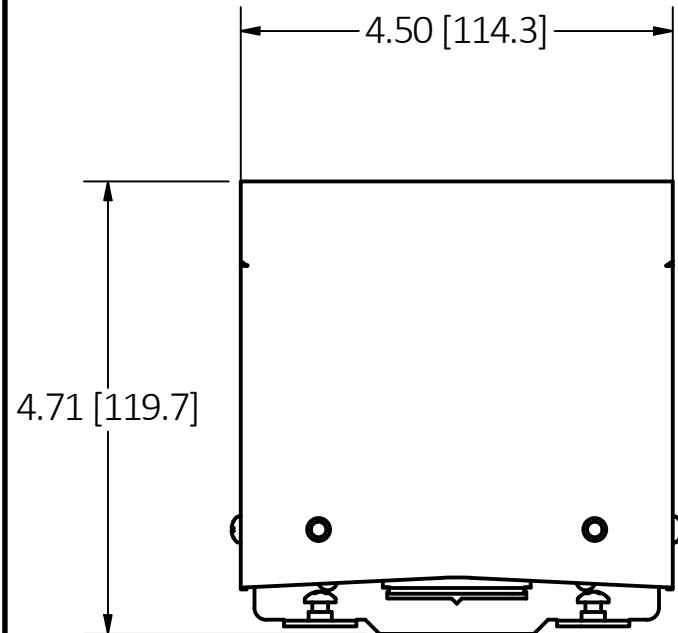
1

KNOCKOUTS INTENDED FOR HUBBELL  
WallTrak® PW1xxx SERIES

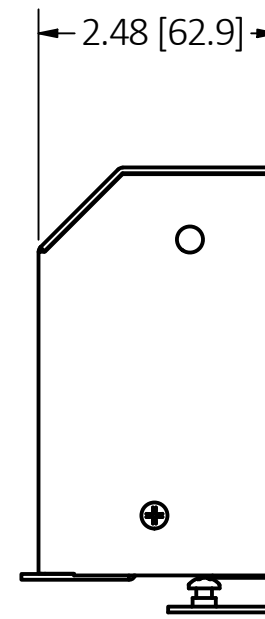


RACEWAY

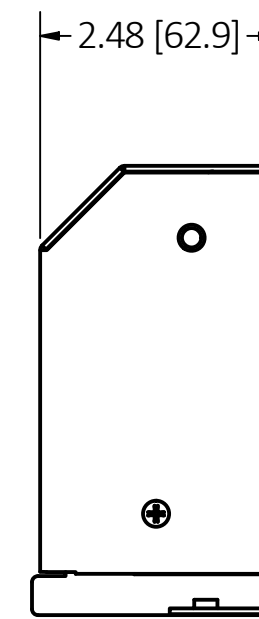
NOTES:  
1) DIMENSIONS ARE INCHES[MM]  
2) THIS RACEWAY FITTING IS INTENDED FOR USE WITH HUBBELL  
HBLFMRxx SERIES FLOOR MOUNTED RACEWAY SYSTEM.



LOW PROFILE



HIGH PROFILE



RACEWAY

LIST OF PARTS		
DESCRIPTION	MATERIAL	FINISH
WALL FEED COVER	STEEL	POWDER COAT
WALL FEED CHASSIS	GALV. STEEL	

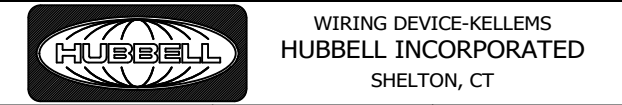
DIMENSION SHEET FOR CAT. NO.  
SEE TABLE

1	RELEASED PER DCN#191120105745	EMD	11/6/19
REV	DESCRIPTION	APP	DATE

THE DESIGN AND DIMENSIONS OF THE  
PRODUCT SHOWN ON THIS DRAWING ARE  
SUBJECT TO CHANGE WITHOUT NOTICE.  
DIMENSIONS ARE IN INCHES [mm].

CAT NO	DESCRIPTION
HBLFMWLA	FLOOR MOUNTED RACEWAY WALL FEED, LOW PROFILE, ALUMINUM
HBLFMWLDG	FLOOR MOUNTED RACEWAY WALL FEED, LOW PROFILE, DARK GRAY
HBLFMWHA	FLOOR MOUNTED RACEWAY WALL FEED, HIGH PROFILE, ALUMINUM
HBLFMWHDG	FLOOR MOUNTED RACEWAY WALL FEED, HIGH PROFILE, DARK GRAY
HBLFMWRA	FLOOR MOUNTED RACEWAY WALL FEED, RACEWAY, ALUMINUM
HBLFMWRDG	FLOOR MOUNTED RACEWAY WALL FEED, RACEWAY, DARK GRAY

TITLE  
WALL FEED FITTING, FLOOR MOUNTED  
RACEWAY



TOLERANCES UNLESS OTHERWISE SPECIFIED .XX = ± .01 .XXX = ± .005 ANGLE TOL. ±2'	DR. BY EMD	SCALE 1/2
	CHK. BY	DATE 11/6/19