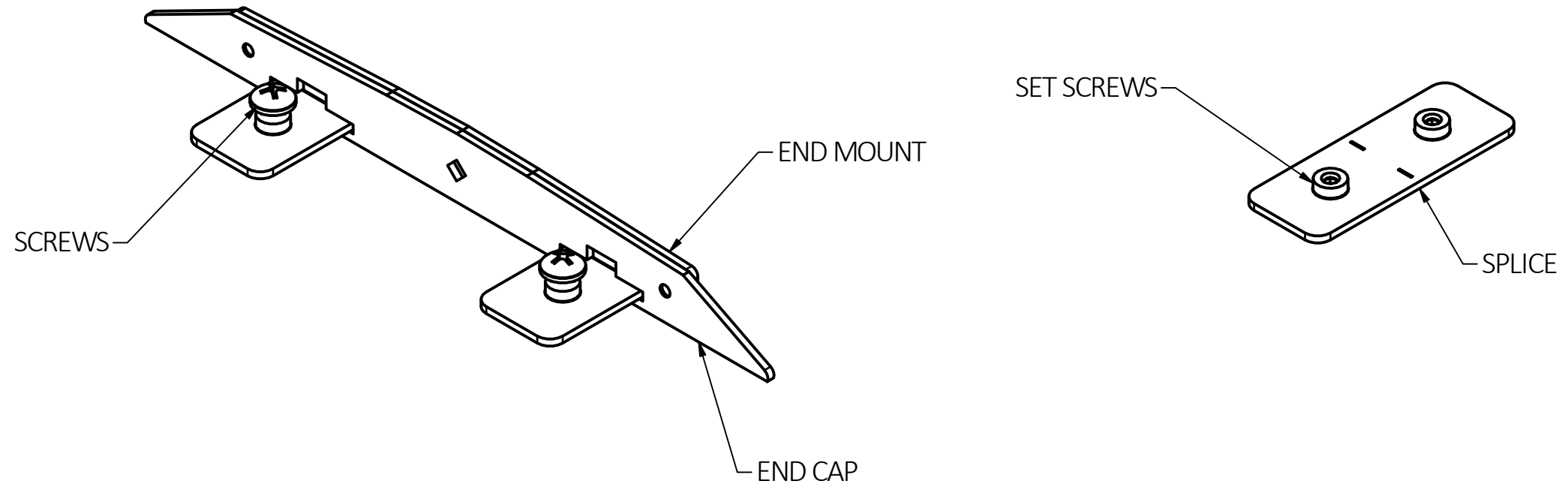
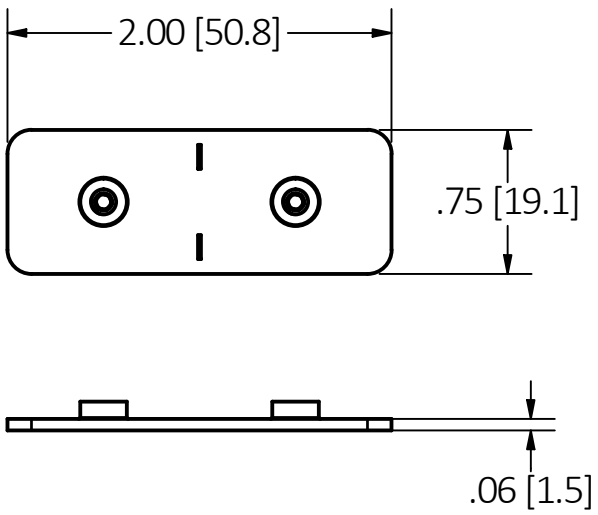
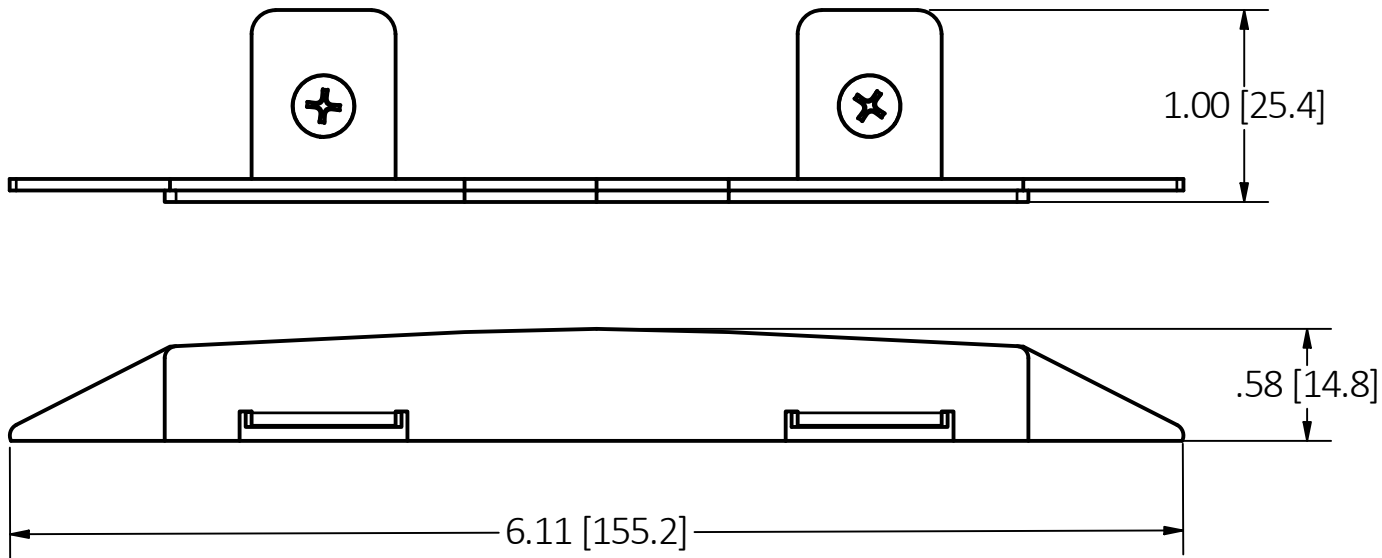


M-14217 1



NOTES:
 1) DIMENSIONS ARE INCHES[MM]
 2) THIS RACEWAY FITTING IS INTENDED FOR USE WITH HUBBELL HBLFMRxx SERIES FLOOR MOUNTED RACEWAY SYSTEM.

LIST OF PARTS

DESCRIPTION	MATERIAL	FINISH
END MOUNT	STEEL	POWDER COAT
END CAP	STEEL	POWDER COAT
SCREWS	STEEL	
SPLICE	GALV. STEEL	
SET SCREW	STEEL	PAINTED

REV	DESCRIPTION	APP	DATE
1	RELEASED PER DCN#191120105745	EMD	11/13/19

THE DESIGN AND DIMENSIONS OF THE PRODUCT SHOWN ON THIS DRAWING ARE SUBJECT TO CHANGE WITHOUT NOTICE. DIMENSIONS ARE IN INCHES [mm].

TITLE
 FLOOR MOUNTED RACEWAY, END STOP & SPLICE



WIRING DEVICE-KELLEMS
 HUBBELL INCORPORATED
 SHELTON, CT

CAT NO	DESCRIPTION
HBLFMSPL	FLOOR MOUNTED RACEWAY SPLICE, 6 PACK
HBLFMES	FLOOR MOUNTED RACEWAY END STOP, DARK GRAY

TOLERANCES UNLESS OTHERWISE SPECIFIED .XX = ±.01 .XXX = ±.005 ANGLE TOL. ±2'	DR. BY EMD	SCALE 1:1
	CHK. BY	DATE

DIMENSION SHEET FOR CAT. NO. B M-14217 1