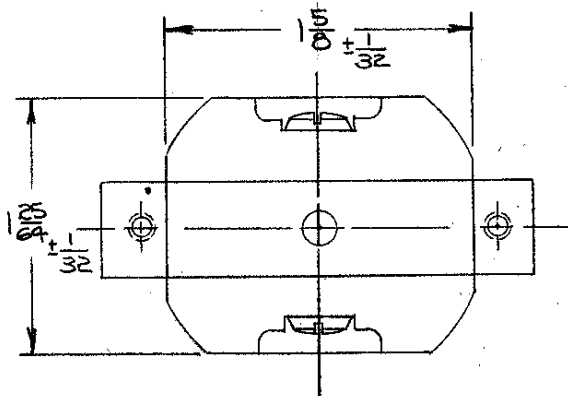
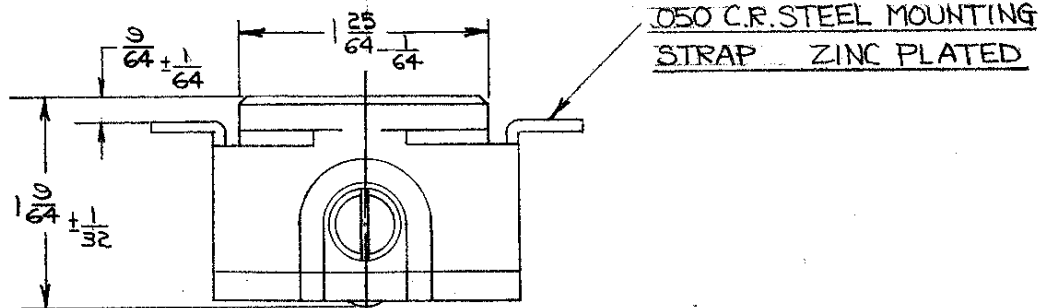
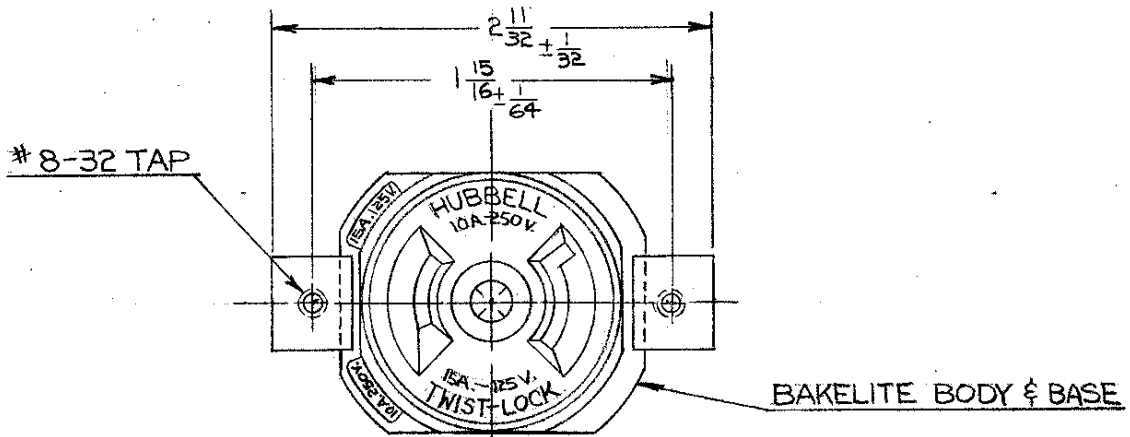


STYLE

M-1808

TITLE DIMENSION SHEET FOR CAT. 7498 AND BA-11503

FIRST MADE FOR CAT.



.031 BRASS CONTACT SPRGS

.040 BRASS BIND. PLATES

#8-32 BRASS BINDING
SCREWS 19/64 LONG

USED AS STYLE NO. ON NOS.

SUPERSEDES TRACING DATED 6-12-42

SIZE STOCK	EST.
MATERIAL	
HARDNESS	

HARVEY HUBBELL, INC.	
BRIDGEPORT, CONN.	
DR. BY <u>WAS</u>	APP. BY <u>CSC</u>
TR. BY <u>SCL</u>	SCALE <u>Full</u>
CHK'D BY <u>J.C.H.</u>	DATE <u>6-20-58</u>

USED IN ASSEMBLY NOS.

SUB(1) 3-4-9 CONTACT SPRINGS WERE BRONZE AND CSC