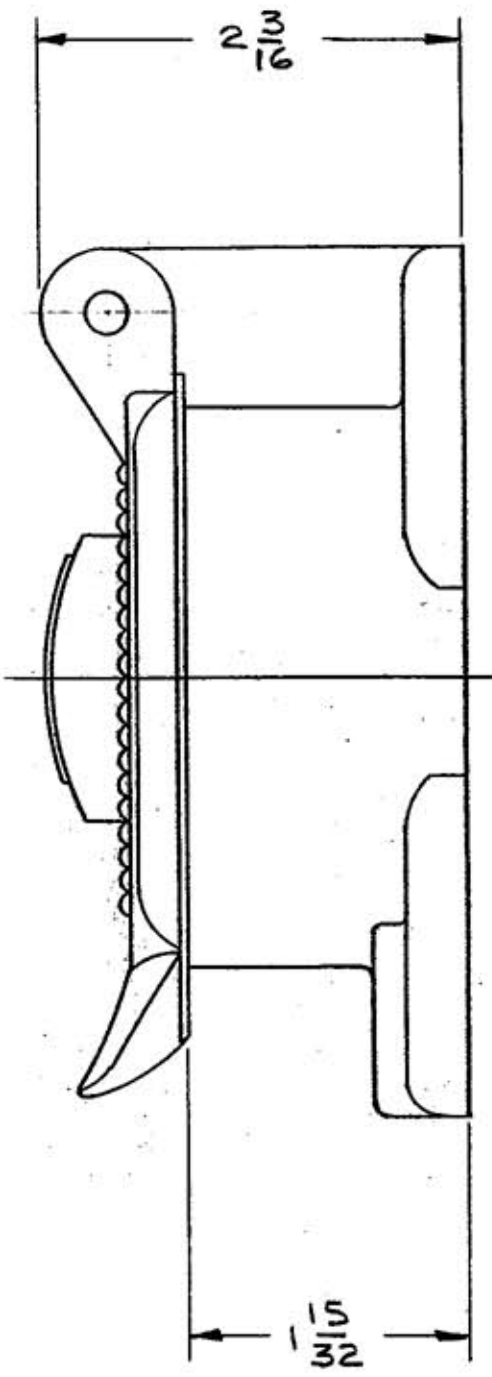
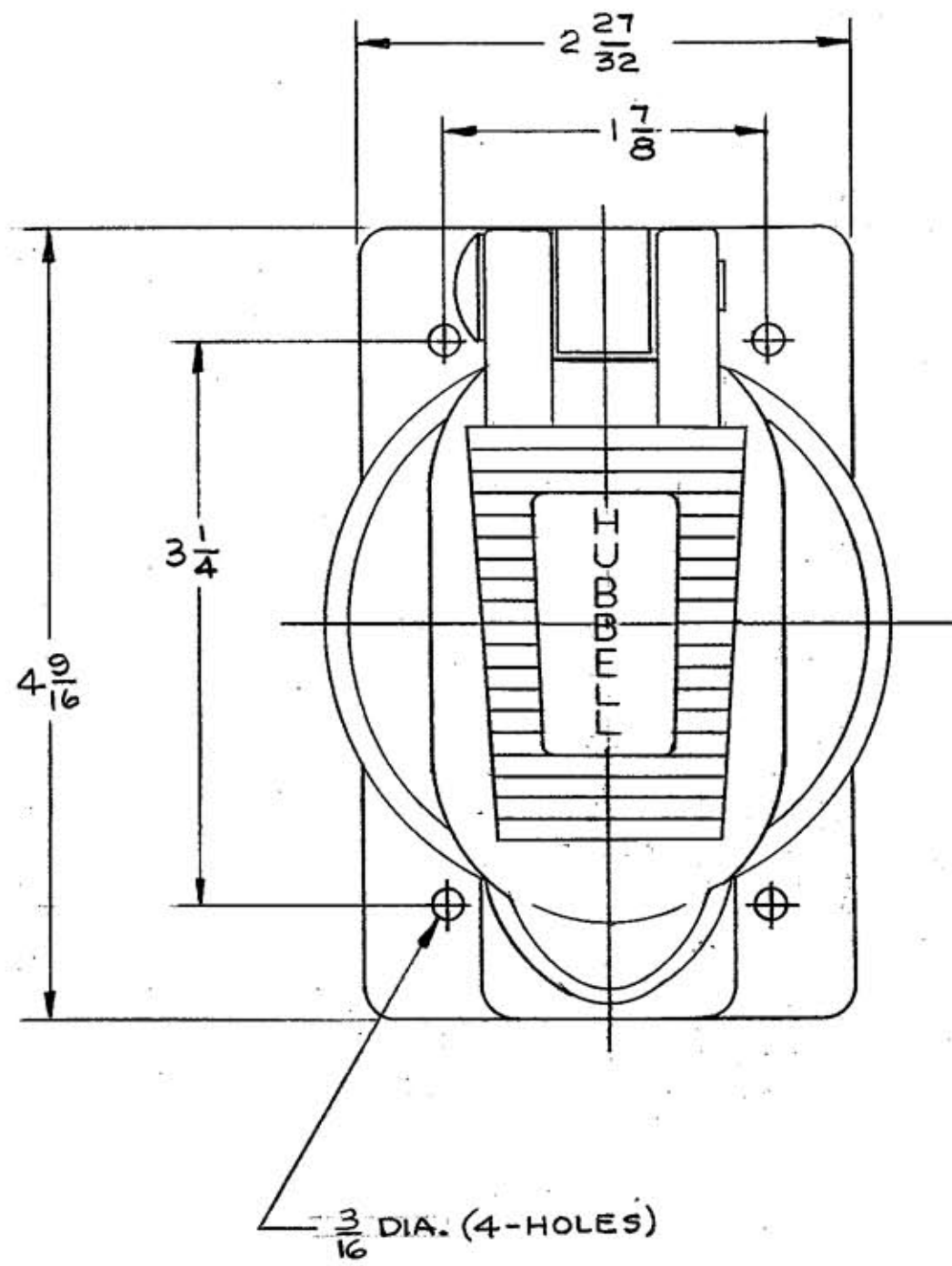


M-3281



LIST OF PARTS		
DESCRIPTION	MATERIAL	FINISH
OUTLET BOX COVER PL.	ALUMINUM	SPRAY LAC.
OUTLET BOX LIFT COVER	ALUMINUM	SPRAY LAC.
RIVET	ALUMINUM	ANODIZE
COIL SPRING	STAIN. ST.	MOLYKOTE
GASKET	NEOPRENE	BLACK

DIMENSION SHEET FOR CAT. NO. 7770

REPAIRABLE NON-REPAIRABLE

SUPERSEDES DWG.
DATED 7-17-57

SYM	REVISIONS	APP	DATE
1	REDRAWN WITH CHANGES CHANGED FROM PEBBLE LIFT COVER D-18930 TO D-52340-01 ALL	CJC	2-6-90

THE DESIGN AND DIMENSIONS OF THE
PRODUCT SHOWN ON THIS DRAWING ARE
SUBJECT TO CHANGE WITHOUT NOTICE.

TITLE
**WEATHERPROOF
LIFT COVER PLATE**

TOLERANCES UNLESS OTHERWISE SPECIFIED
FRACTIONS ± 1/64
DECIMALS ± .005
ANGLES ± 2°

WIRING DEVICE DIVISION
HARVEY HUBBELL, INC.
BRIDGEPORT, CONN.

DR. BY AJL APP. BY _____
TR. BY _____ SCALE 1:1
CHK'D. BY _____ DATE 2-6-90

CODE 74545

B
M-3281