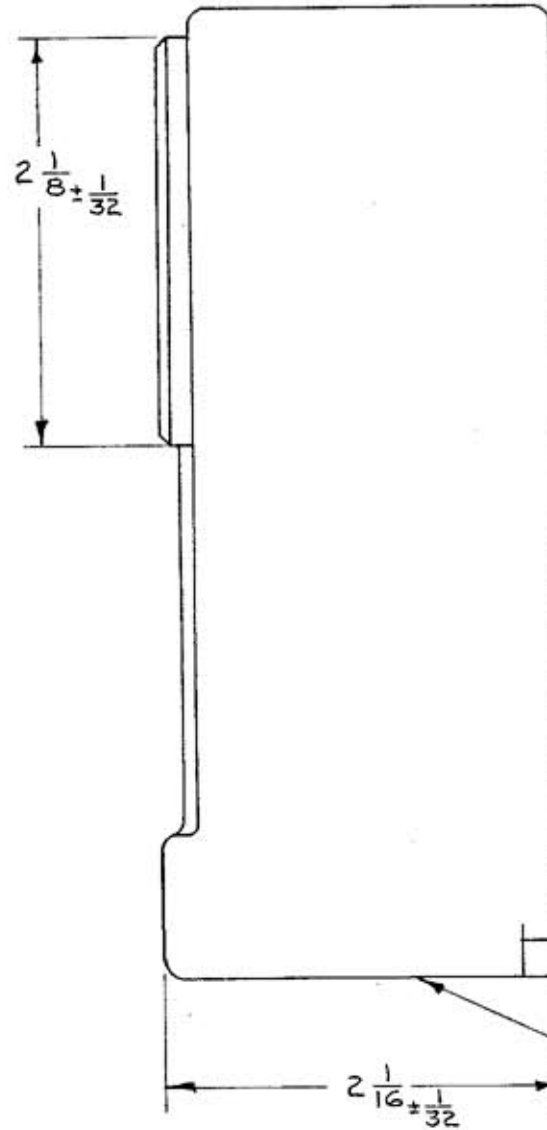
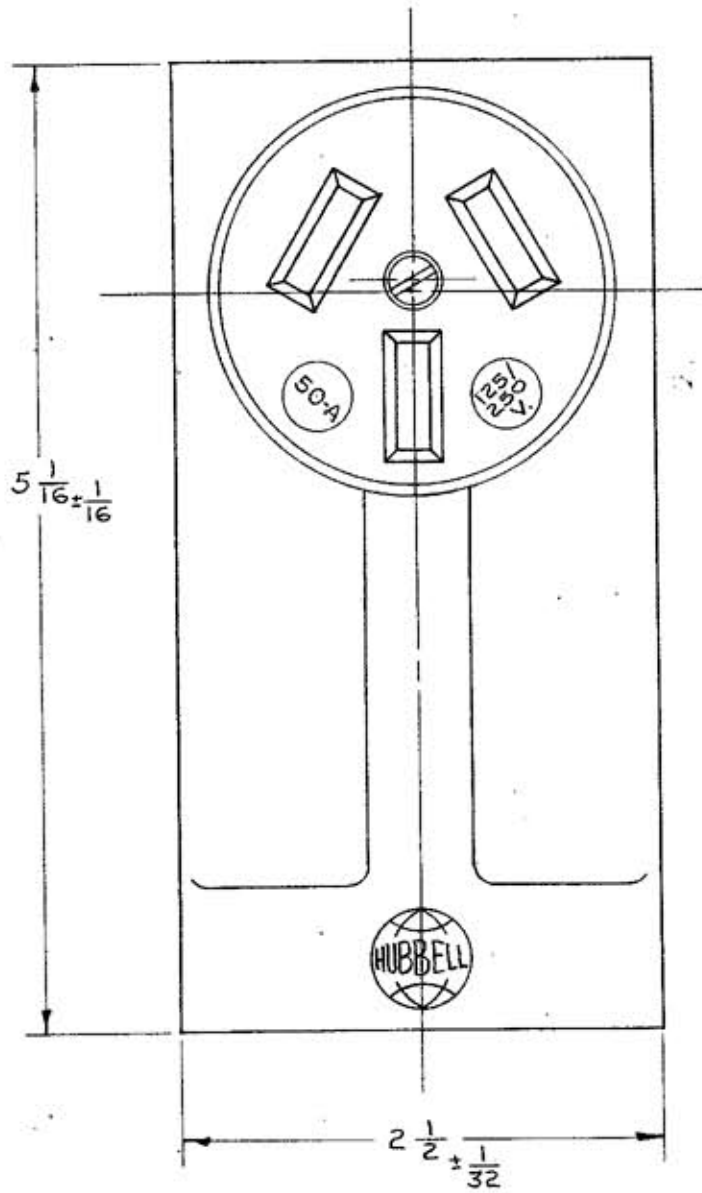
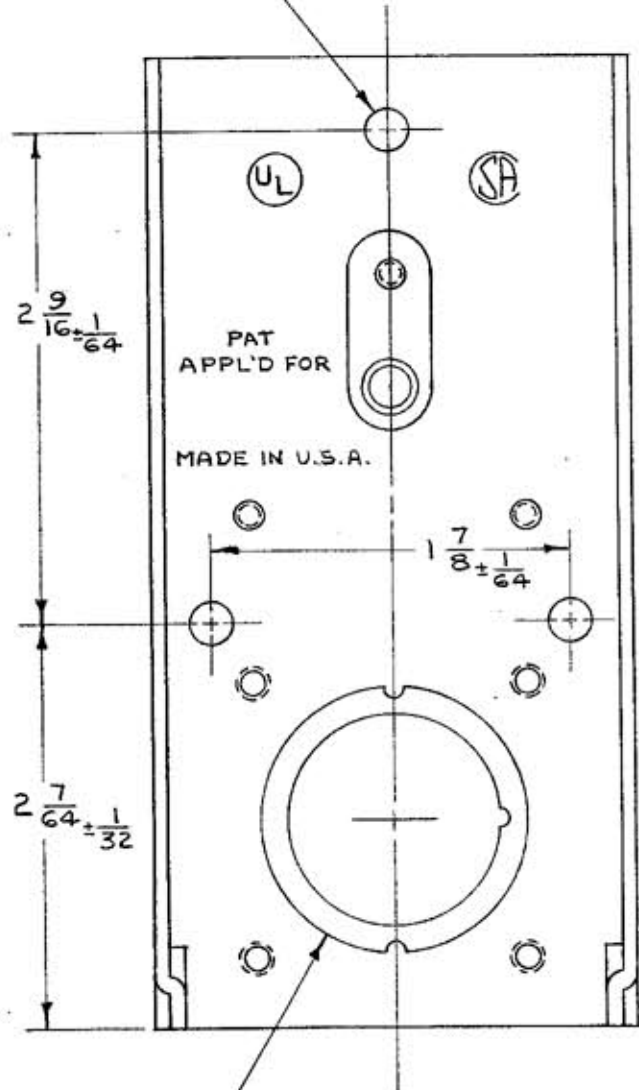


M-3295



3 MOUNTING HOLES  
7/32 DIA.



KNOCKOUTS FOR 3/4"  
& 1" CONDUIT IN  
BOTTOM AND BACK

LIST OF PARTS

DESCRIPTION	MATERIAL	FINISH
COVER	BAKELITE	BLACK
BASE	BAKELITE	BLACK
FRAMES	.075 BRASS	
SWIVEL NUTS	.093 C.R.S.	1-WHITE 2-COPPER PL.
BINDING SCREWS	STEEL	1-WHITE 2-COPPER PL.
CONTACT SPRINGS	.040 R BZE.	
COVER	.080 ALUM.	WHEELABRATE
BACK PLATE	.080 ALUM.	
CORD CLAMPS	.062 C.R.S.	ZINC PL.

DIMENSION SHEET FOR CAT. NO. 7940

REPAIRABLE  NON-REPAIRABLE

SYM	REVISIONS	APP	DATE

SUPERSEDES DWG. DATED 8-16-70

**B**  
**M-3295**

**TITLE**  
50A. 125/250 V. THREE-WIRE  
STRAIGHT BLADE SURFACE OUTLET  
WITH METAL COVER

TOLERANCES UNLESS  
OTHERWISE SPECIFIED  
FRACTIONS ± 1/64  
DECIMALS ± .005  
ANGLES ± 2°

**HARVEY HUBBELL, INC.**  
BRIDGEPORT, CONN.  
DR. BY E.P.S. APP. BY A.S.  
TR. BY \_\_\_\_\_ SCALE FULL  
CHK'D. BY \_\_\_\_\_ DATE 11-12-70