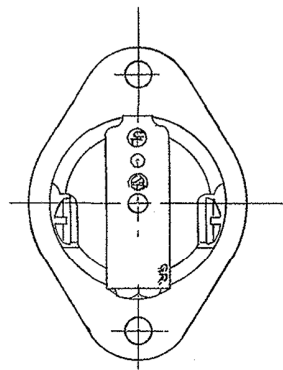
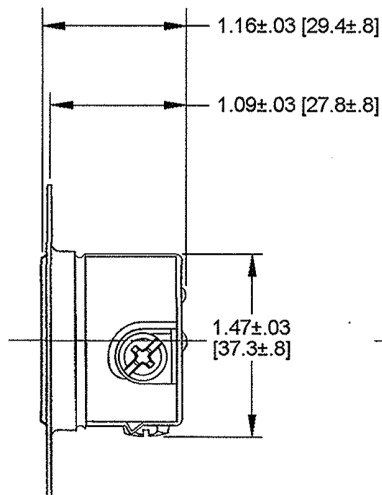
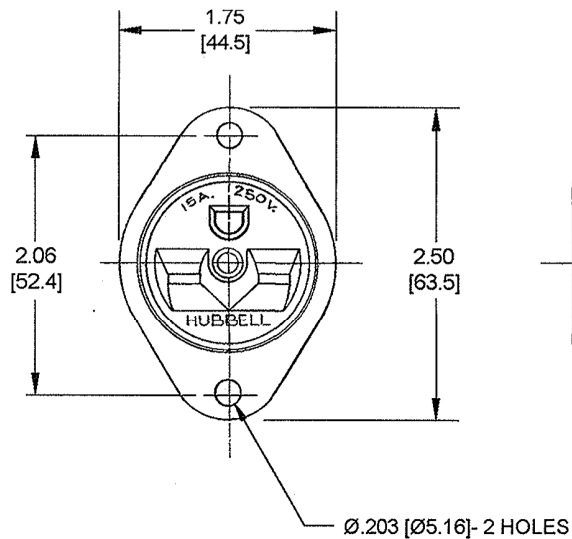


M-3329 5



NOTES: (UNLESS OTHERWISE SPECIFIED)

- 1) DIMENSION FORMAT IS: INCHES [mm]
- 2) DIMENSIONS SHOWN ON THIS DRAWING ARE NOMINAL VALUES FOR GENERAL USE ONLY. ACTUAL PART TOLERANCES MUST BE OBTAINED FROM HUBBELL ENGINEERING.

LIST OF PARTS		
DESCRIPTION	MATERIAL	FINISH
BODY	POLYESTER	BROWN
CONTACT SPRINGS	031 BRONZE	
BINDING SCREWS	BRASS	
HEX HD BIND'G SC.	BRASS	GREEN
INSULATOR	051 PHENOLIC	
SUPPORTING STRAP	040 C.R.S	ZINC PL.
CASING	025 BRASS	POLISH NICKEL

5	PARTS LIST: BODY MATERIAL POLYESTER WAS VALOX PBT/PET PER DCN 22625 RM	DJP	10/2/17
4	BODY MATERIAL "VALOX PBT/PET WAS "UREA" PER DCN 17476. MYA	EJM EJM	3/29/11
3	10/11/06 IN LIST OF PARTS, BODY MATERIAL "UREA" WAS "BAKELITE"; REMOVED RIBBED AREAS FROM L.H. VIEW PER DCN #12682. JMN	TJV	10/11/06
2	DUAL DIMENSIONS WERE FRACTIONAL ONLY. COMBO HEAD SCREWS WERE SLOTTED; ADDED NOTES 1 & 2; REVISED DRAWING TITLE, CAT. NO. HBL5656 WAS 5656; PER DCN #8682. JMN	TCM	12/21/01
1	ADDED DIM: 1 5/32 ± 1/32" PICTORIAL CHNG DCN 4825 SD	MM	2-28-97
SYM.	REVISIONS	APP	DATE

SUPERSEDES DWG DATED 12-16-57	
TOLERANCES UNLESS OTHERWISE SPECIFIED	HARVEY HUBBELL, INC.
FRACTIONS ± 1/64	SHELTON CONN.
DECIMALS ± .005	DR BY ASM
ANGLES ± 2°	TR BY
	CHK'D, BY
	APP. BY
	SCALE FULL
	DATE 5-17-69

TITLE
 FLANGED RECEPTACLE
 15A. 250V. 3 WIRE GROUNDING
 NEMA 6-15R

CODE 74S45

DIMENSION SHEET FOR CAT. NO. HBL5656
 REPAIRABLE NON-REPAIRABLE
 B
 M-3329
 5