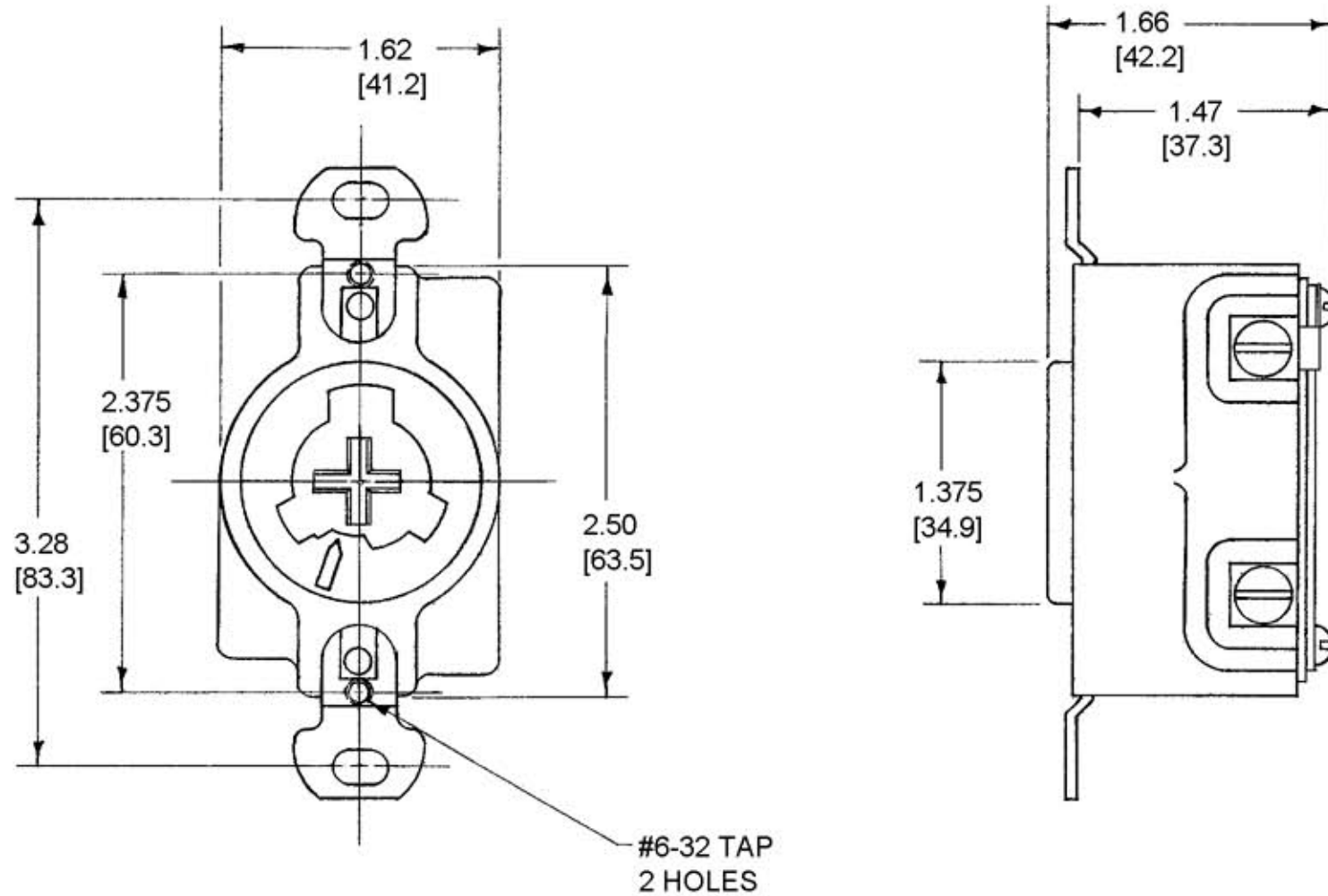


M-3342

1



NOTES:

1. WIRE CAPACITY: #14 - #10AWG, SOLID OR STRANDED COPPER WIRE.
2. ALL DIMENSIONS TO BE INCHES.
[mm]

LIST OF PARTS

DESCRIPTION	MATERIAL	FINISH
BASE	BAKELITE	BLACK
CENTER SLIDER	BAKELITE	BLACK
GR. CONT. SPR. BIND. PLATE	.025 BRONZE	BRASS PL.
CONT. SPRING BIND. PLATE	.025 BRONZE	
BR. PL. SPR. BIND. PLATE	.025 BRONZE	BRASS PL.
BINDING SCREWS	BRASS	
BINDING SCREW	BRASS	COPPER PL.
AUXILIARY SPRING	.018 BRONZE	
INSULATOR	.062 LAM. PHEN.	
SUPPORTING STRAP	.062 ST.	ZINC PL.
COILED SPRING	.032 X .060 WIRE	
END PLATES	.050 CRS	ZINC PL.
GR. SHUNT	.015 BRASS	

DIMENSION SHEET FOR CAT. NO. HBL23000G

REPAIRABLE NON-REPAIRABLE

B

M-3342

1

SYM	REVISIONS	APP	DATE
1	ADDED NOTES 1&2; REMOVED CAT. NOS. 23000 & 23000-G; ADDED HBL23000G; REVISED TITLE; CONVERTED ALL DIMS. TO DECIMAL/METRIC; REVISED VIEW TO SHOW GR. SHUNT; REMOVED "CAT. NO." CALLOUT PER DCN 11902 RCM	JPP	1/26/05

SUPERSEDES DWG DATED 3-31-58

TITLE
20A 125VAC OR DC 10A 250VDC 480VAC
THREE WIRE HUBBELLOCK RECEPTACLE

TOLERANCES UNLESS OTHERWISE SPECIFIED
FRACTIONS ± 1/64
DECIMALS ± .005
ANGLES ± 2°

HARVEY HUBBELL, INC.
BRIDGEPORT, CONN.
DR. BY E.P.S. APP. BY _____
TR. BY _____ SCALE FULL
CHK'D. BY _____ DATE 5-13-70