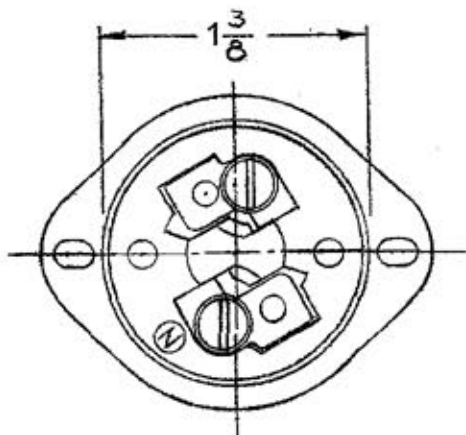
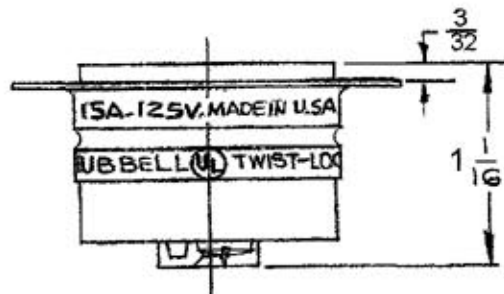
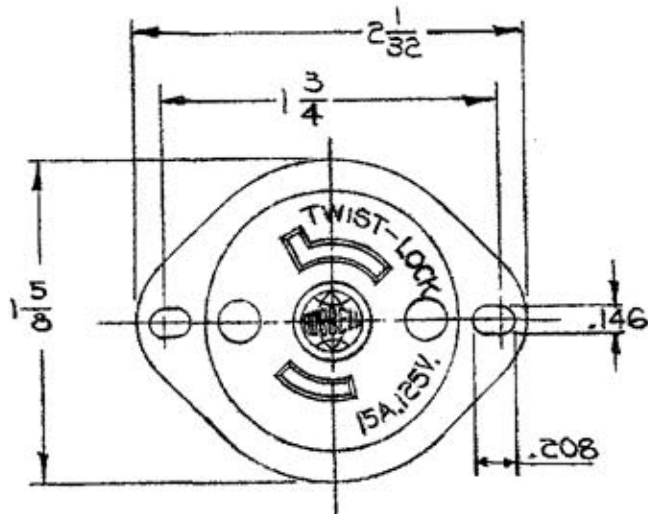


M-3578

LIST OF PARTS



DESCRIPTION	MATERIAL	FINISH
BODY	BAKELITE	
CASING	.025 BRASS	NICKEL PL.
CONTACT SPRINGS	.031 BRASS	
2-BIND. PLATES	.060 BRASS	
2-#6-36 BIND. SCR'S.	BRASS	
2-#4-36 R.H. MOUNT. SCR'S.	STEEL	NICKEL PL.

HBL7526 WAS 7526 PER DCN 8550 TMS	M/A	4/11/01
REMOVED FINISH 'WHITE' FROM 2-BIND PLATES AND 2-#6-36 BIND SCR'S. PER DCN 8100 SPV	ZIMM	11/1/00
REMOVED 10-#250 FRATING FROM 15A, 125V MADE IN USA STAMPING	AJL	11-14-91 RSC
CONTACT SPRINGS WERE BRONZE	AJL	3-4-91 RSC
REVISIONS	DATE	

TOLERANCES UNLESS OTHERWISE SPECIFIED FRACTIONS ± 1/64 DECIMALS ± .005 ANGLES ± 2°	HARVEY HUBBELL, INC.	
	BRIDGEPORT, CONN.	
	DR. BY <u>SCL</u>	APP. BY _____
	TR. BY _____	SCALE <u>FULL</u>
CHK'D. BY <u>J.C.H.</u>	DATE <u>12-15-58</u>	