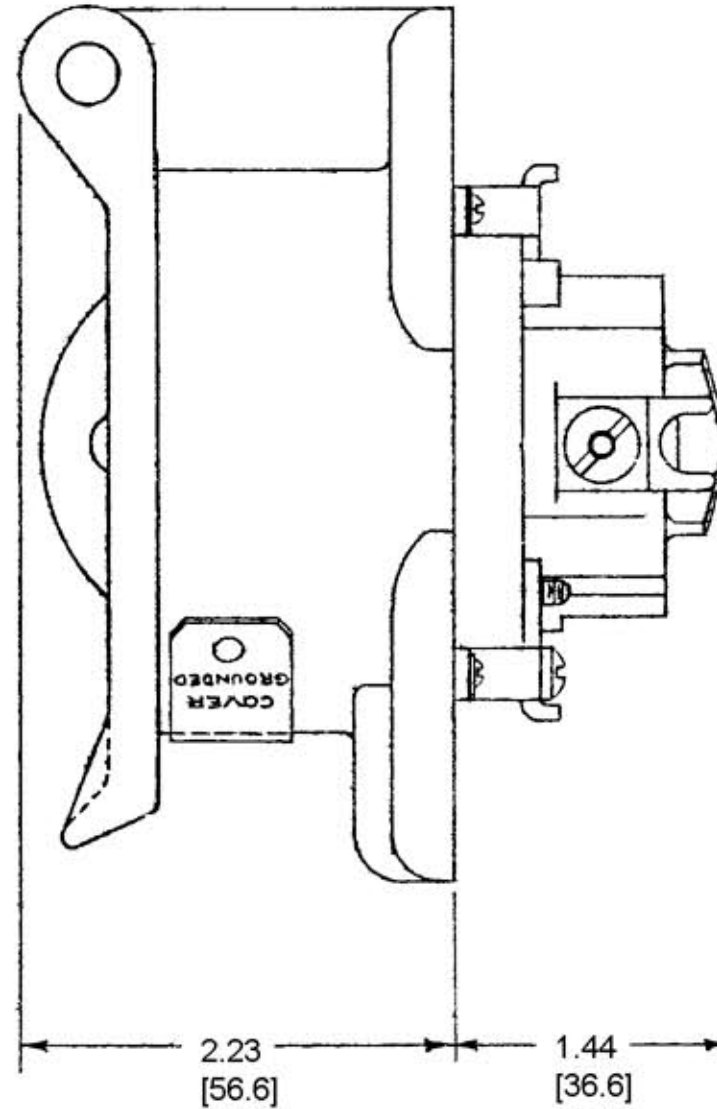
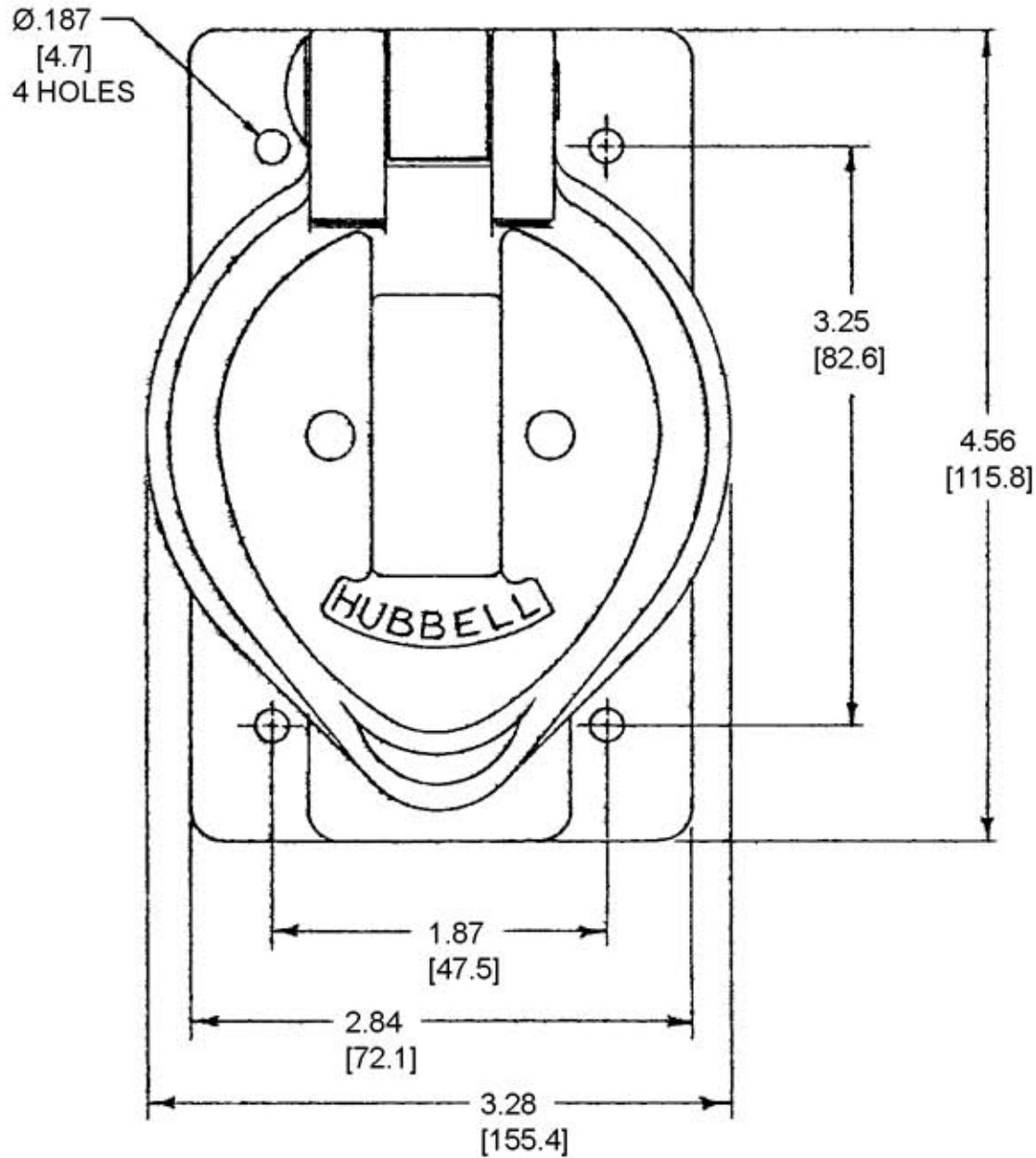


M-3671 3



NOTES:

1. WIRE CAPACITY: #10 TO #6AWG, SOLID OR STRANDED COPPER WIRE ONLY.
2. IP44 SUITABILITY.
3. ALL DIMS. TO BE INCHES [mm].

CODE 74545

LIST OF PARTS

DESCRIPTION	MATERIAL	FINISH
HOLDER	BAKELITE	BLACK
BODY	BAKELITE	BLACK
CONTACT SPRING	.031 BRASS	
PRESS TERMINAL	COPPER	
EYE LET	.008 BRASS	
TH'D. SLUG	STEEL	ZINC PL.
CENTER POST	STEEL	ZINC PL.
AUX. SPRING	.020 PHOS. BRZ	
COIL SPRING	MUC. WIRE	ZINC PL.
FLAP & BOX COVER	ALUMINUM	BLUE SPRAY
GR. SPRING	.031 BRONZE	
SELF TAP DRIVE SCR.	STEEL	
GASKET (NOT SHOWN)	CLOSED CELL FOAM	BLACK

SYM	REVISIONS	APP	DATE
3	ADDED NOTES 1 THRU 3; REVISED TITLE; CONVERTED ALL DIMS TO DECIMAL & METRIC; "HBL25250" WAS "25250"; ADDED "GASKET" CALLOUT TO PARTS LIST PER DCN 11902 RCM	JPP	2/5/05
2	"X" REMOVED FROM CAT. NO		4-21-69
1	REDRAWN		1-9-68

SUPERSEDED BY DWG. DATED 6-17-60

TITLE
 20A 250VDC 30A 600VAC
 5 WIRE HUBBELLOCK RECEPTACLE

TOLERANCES UNLESS OTHERWISE SPECIFIED
 FRACTIONS ± 1/64
 DECIMALS ± .005
 ANGLES ± 2°

HARVEY HUBBELL, INC.
 BRIDGEPORT, CONN.

DR. BY A.J.L. APP. BY _____
 TR. BY _____ SCALE FULL
 CHK'D. BY JL DATE 1-9-68

DIMENSION SHEET FOR CAT. NO. HBL25250
 REPAIRABLE NON-REPAIRABLE
 B
 M-3671
 3