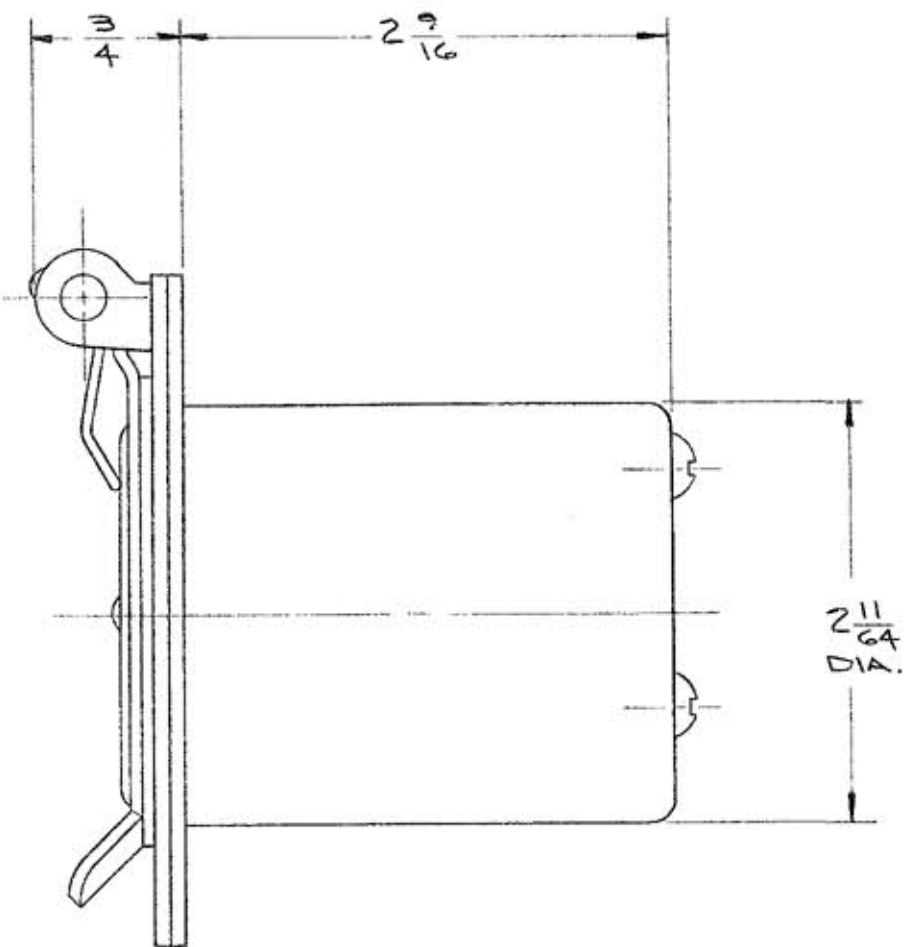
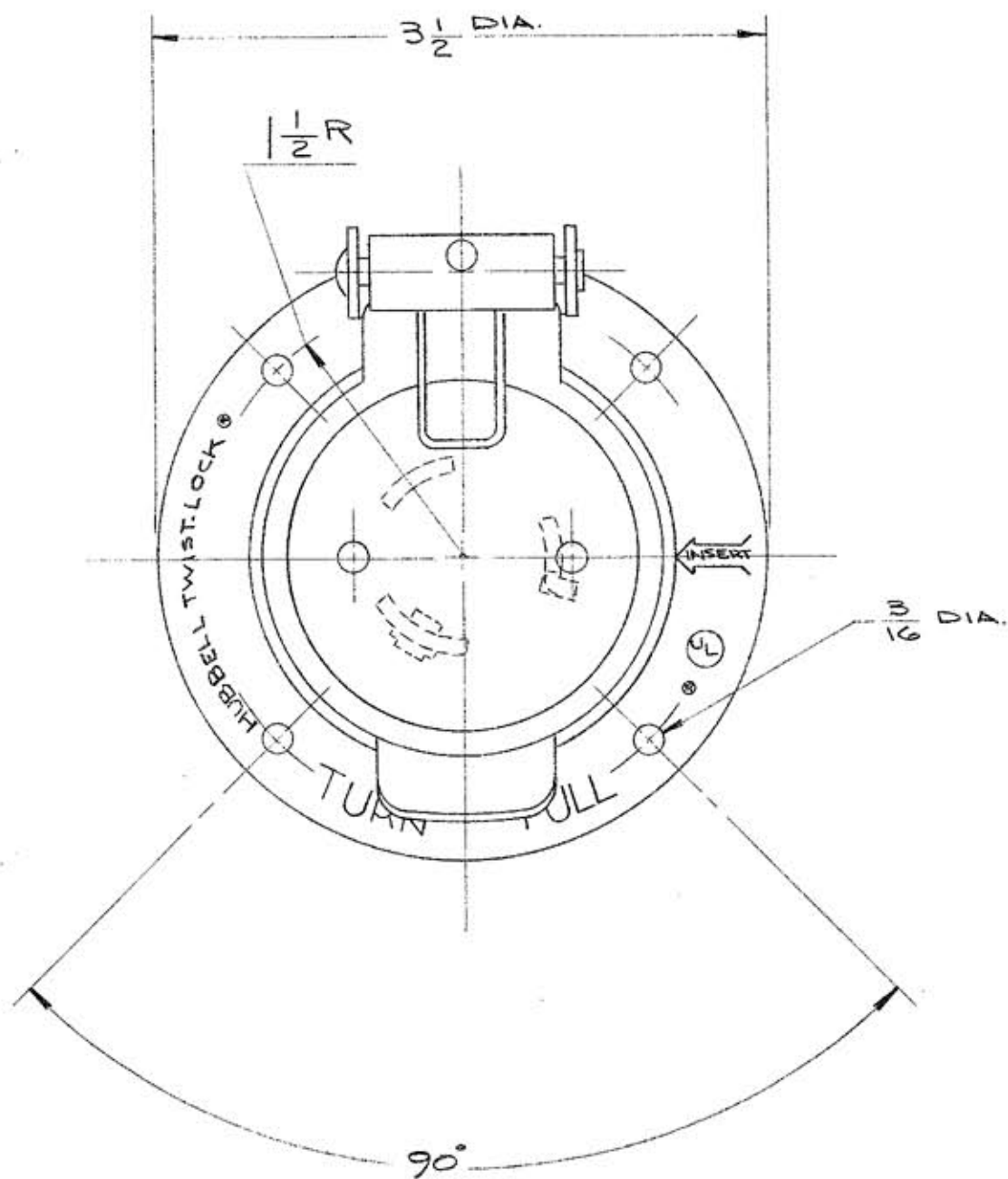


M-4092 2



NOTE:

GR. TERM. IS CONNECTED TO OUTER COVER BY A BRONZE SPRING.

LIST OF PARTS

DESCRIPTION	MATERIAL	FINISH
FLANGED CASING	.062 STEEL	ALUM SPRAY
BRACKET	.062 STEEL	ZINC PL.
LIFT COVER	.082 STEEL	ZINC PL.
SPRING	.045 ST. ST.	
INSULATORS	PHENOLIC	
CONTACT BLADES	.100 BRASS	1-COPPER
3-TERMINALS	.070 COPPER	2-BRASS
RD. HD. SCREWS	STEEL	ZINC PL.
GASKETS	.062 RUBBER	
3-PRESSURE SCR.	STEEL	CADMIUM
GR. SHUNT	.025 BRONZE	

DIMENSION SHEET FOR CAT. NO. 3767, HBL3767

REPAIRABLE NON-REPAIRABLE

SYM	REVISIONS	APP	DATE
2	ADDED HBL 3767 TO CAT. NO. LIST PER DCW 5295	TCM	4-8-98
1	CASING THICKNESS WAS .078		7-7-69 ASM

B M-4092

TITLE 50A. 250V.D.C., 50A. 600 V.A.C.
2 POLE, 3 WIRE, NON-INTERCHANGEABLE
TWIST-LOCK FLANGED INLET WITH
LIFT COVER

TOLERANCES UNLESS OTHERWISE SPECIFIED
FRACTIONS ± 1/64
DECIMALS ± .005
ANGLES ± 2°

HARVEY HUBBELL, INC.
BRIDGEPORT, CONN.
DR. BY P.H.F. APP. BY A.S.
TR. BY DATE 7-9-64
CHK'D. BY J.C.H.