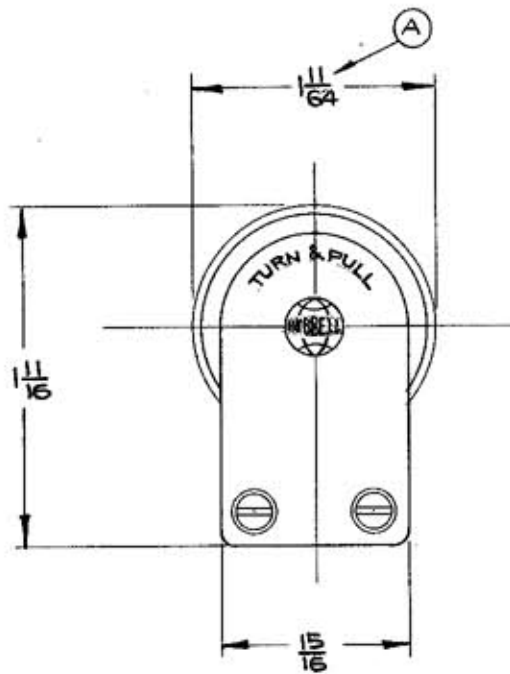
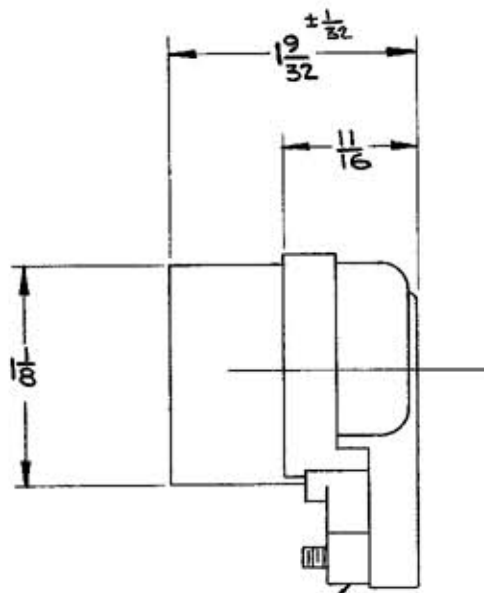
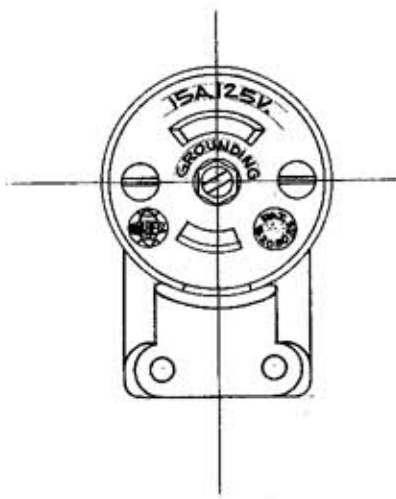


M-4560



CORD CLAMPS TAKE CORDS FROM 1/4 TO 5/8 DIA.

LIST OF PARTS

DESCRIPTION	MATERIAL	FINISH
BODY	BAKELITE	BLACK
ANGLE CORD BASE	NYLON	BLACK
CORD CLAMP	NYLON	BLACK
GROUND POST	BRASS	
CONT. SPRING BIND. PL.	BRASS	1 WHITE
BINDING SCREWS	BRASS	1 WHITE
HEX HD. BIND. SCREW	BRASS	GREEN
INSULATOR	.031 FIBRE	RED

DIMENSION SHEET FOR CAT. NO. 7571

REPAIRABLE NON-REPAIRABLE

SYM	REVISIONS	APP	DATE

B
M-4560

TITLE
15A. 125V. 2 POLE 3 WIRE GROUNDING
MIDGET TWIST-LOCK CORD CONNECTOR
WITH NYLON ANGLE CORD GRIPS.

TOLERANCES UNLESS OTHERWISE SPECIFIED
FRACTIONS ± 1/64
DECIMALS ± .005
ANGLES ± 2°

HARVEY HUBBELL, INC.
BRIDGEPORT, CONN.

DR. BY D.J.R. APP. BY _____
TR. BY _____ SCALE FULL
CHK'D. BY _____ DATE 10-10-66