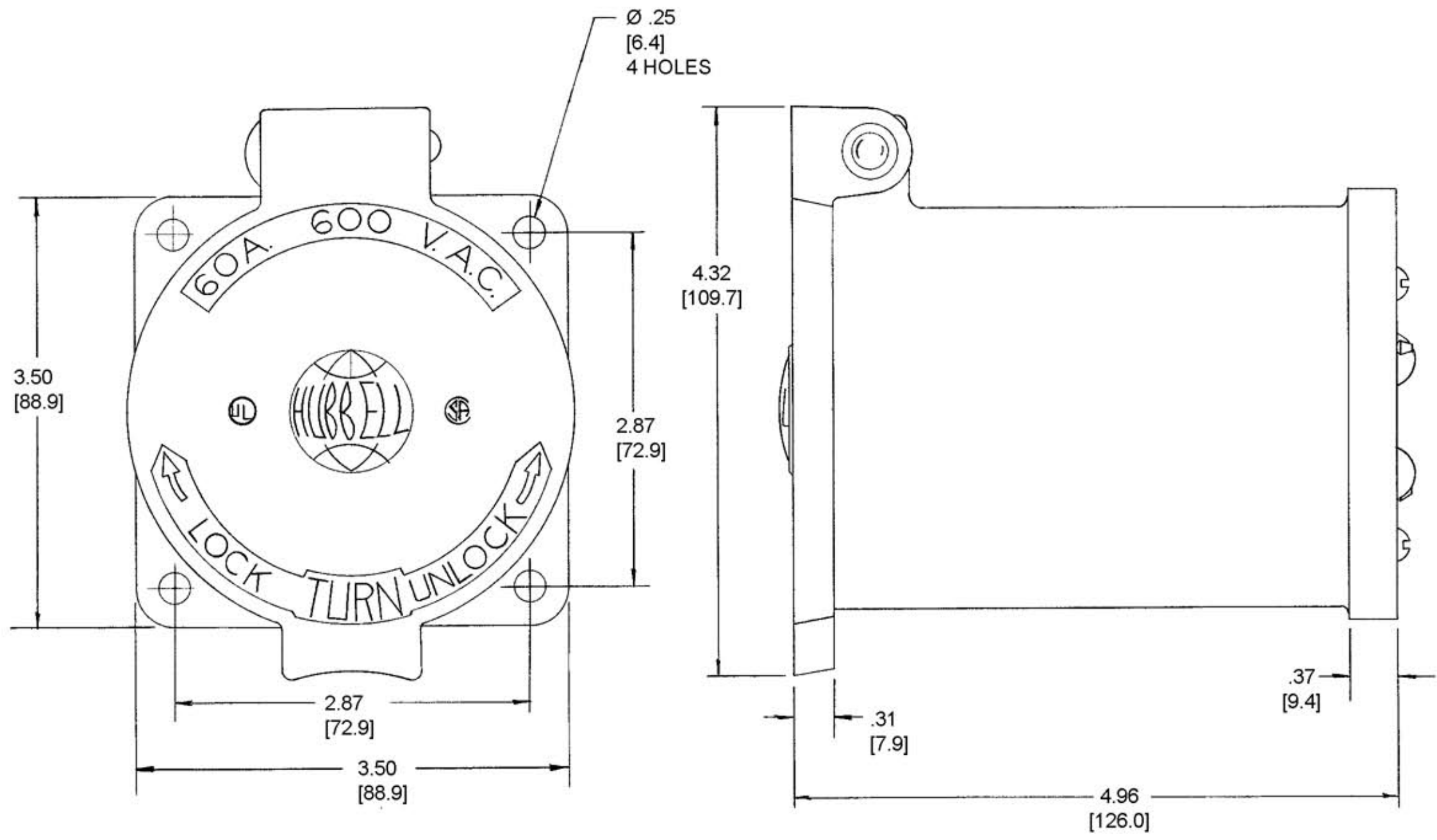


M-4586 1



NOTES:
 1. WIRE CAPACITY: #6 AWG TO #2 AWG, SOLID OR STRANDED COPPER WIRE ONLY.
 2. ALL DIMENSIONS TO BE INCHES.
 [mm]

LIST OF PARTS		
DESCRIPTION	MATERIAL	FINISH
COVER	ALUMINUM	
HOUSING	ALUMINUM	
INSULATORS	DUREZ	BLACK
CONTACT SPRINGS	.040 COPPER	
GROUNDING SPR.	.031 BRONZE	
GROUND SHUNT	.020 BRASS	
CLAMPS	ALUMINUM	TIN PL.
CLAMP SCREWS	STEEL	ZINC PL.
CENTER POST	STEEL	ZINC PL.
AUX. SPRING	.020 BRZ.	
COIL SPRING	.055 ST. WIRE	COPPER PL.
HINGE PIN	STEEL	ZINC PL.
HINGE SPRING	.051 S. STL.	
MOUNTING GASKET	CLOSED CELL FOAM	

DIMENSION SHEET FOR CAT. NO. HBL26420

REPAIRABLE NON-REPAIRABLE

SYM	REVISIONS	APP	DATE
1	ADDED NOTES 1&2: "HBL26420" WAS "26420"; ADDED "GASKET" CALLOUT TO LIST; CONVERTED ALL DIMS. TO DECIMAL & METRIC; REVISED TITLE PER DCN 11902 RCM	JPP	1/28/05

B

M-4586

TITLE
 60A 600VAC, 3 POLE, 4 WIRE
 GROUNDING RECEPTACLE

TOLERANCES UNLESS OTHERWISE SPECIFIED		HARVEY HUBBELL, INC.	
BRIDGEPORT, CONN.			
FRACTIONS ± 1/64	DR. BY RDT	APP. BY	
DECIMALS ± .005	TR. BY	SCALE FULL	
ANGLES ± 2°	CHK'D. BY J.C.H.	DATE 12-7-66	

1