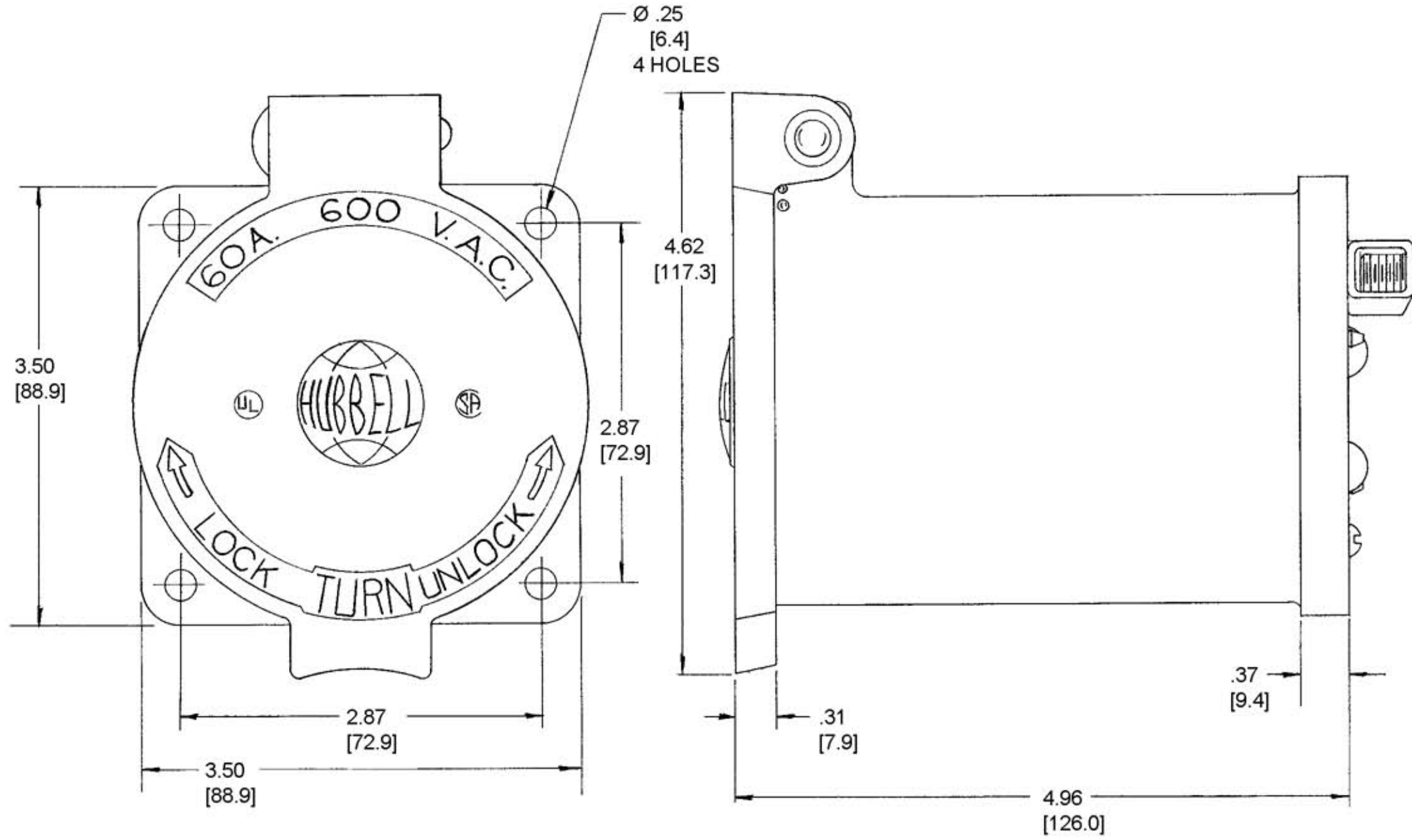


M-4587 3



NOTES:

1. WIRE CAPACITY: #8 AWG - #6 AWG, COPPER WIRE ONLY.
2. ALL DIMS. TO BE INCHES.
[mm]

CODE 74545

TITLE
60A 600VAC, 4 POLE, 5 WIRE
GROUNDING RECEPTACLE

LIST OF PARTS		
DESCRIPTION	MATERIAL	FINISH
COVER	ALUMINUM	BLUE
HOUSING	ALUMINUM	BLUE
INSULATORS	DUREZ	BLACK
CONTACT SPRINGS	.040 COPPER	
GROUNDING SPRNG	.031 BRONZE	
GROUND CLAMP	COPPER	TIN PL.
CLAMPS	ALUMINUM	TIN PL.
CLAMP SCREWS	STEEL	ZINC PL.
CENTER POST	STEEL	ZINC PL.
AUX. SPRING	.020 BRZ.	
COIL SPRING	.055 ST WIRE	COPPER PL.
HINGE PIN	STEEL	ZINC PL.
HINGE SPRING	.051 S.STL.	

DIMENSION SHEET FOR CAT. NO. HBL26520

REPAIRABLE NON-REPAIRABLE

3	ADDED NOTES 1 & 2; REVISED TITLE; "HBL26520" WAS "26520"; CONVERTED ALL DIMS TO DECIMAL & METRIC PER DCN 11902 RCM	JPP	1/31/05
SYM	REVISIONS	APP	DATE

B

M-4587

TOLERANCES UNLESS OTHERWISE SPECIFIED		HARVEY HUBBELL, INC.	
BRIDGEPORT, CONN.			
FRACTIONS ± 1/64	DR. BY RDT	APP. BY	
DECIMALS ± .005	TR. BY	SCALE FULL	
ANGLES ± 2°	CHK'D. BY J.C.H.	DATE 12-7-66	

3