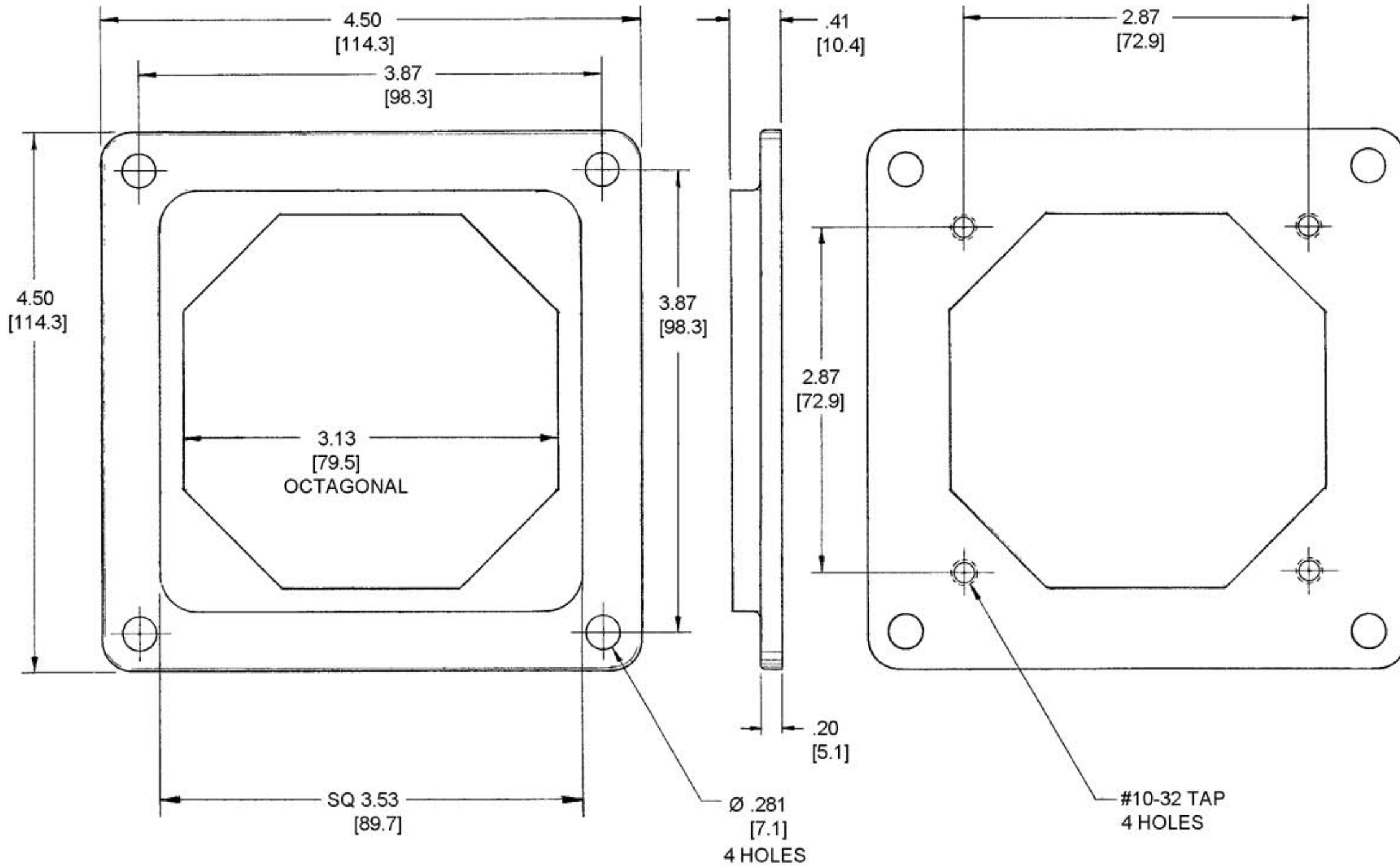


M-4633 2



NOTES:
1. ALL DIMS. TO BE INCHES.
[mm]

TITLE
COVER FOR USE WITH
60A HUBBELLOCK RECEPTACLE

LIST OF PARTS		
DESCRIPTION	MATERIAL	FINISH
COVER	CASTALUM	LACQUER
GASKET	.062 NEOPRENE	
LOCKWASHERS	STEEL	ZINC PL'T.
M'TNG. SCREWS	STEEL	ZINC PL'T.

SYM	REVISIONS	APP	DATE
2	ADDED NOTE 1; REVISED TITLE: "HBL26402" WAS "26402"; CONVERTED ALL DIMS. TO DECIMAL & INCHES; ADDED LACQUER FINISH TO COVER PER DCN 11902 RCM	JPP	1/31/05
1	REVISED DWG.		6-30-78

SYM	REVISIONS	APP	DATE

TOLERANCES UNLESS OTHERWISE SPECIFIED		HARVEY HUBBELL, INC.	
FRACTIONS ± 1/64		BRIDGEPORT, CONN.	
DECIMALS ± .005		DR. BY <u>RAR</u>	APP. BY <u>VFL</u>
ANGLES ± 2°		TR. BY	SCALE <u>FULL</u>
		CHK'D. BY <u>J.C.H.</u>	DATE <u>4-4-67</u>

DIMENSION SHEET FOR CAT. NO. HBL26402

REPAIRABLE NON-REPAIRABLE

B

M-4633

2