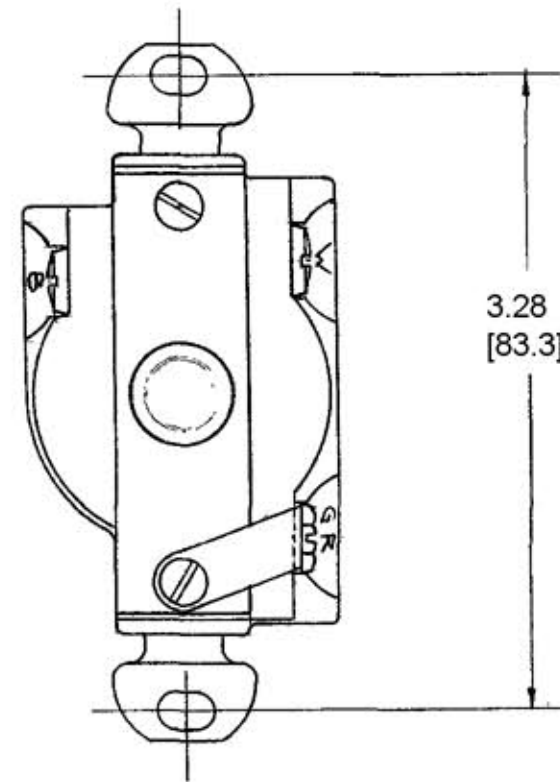
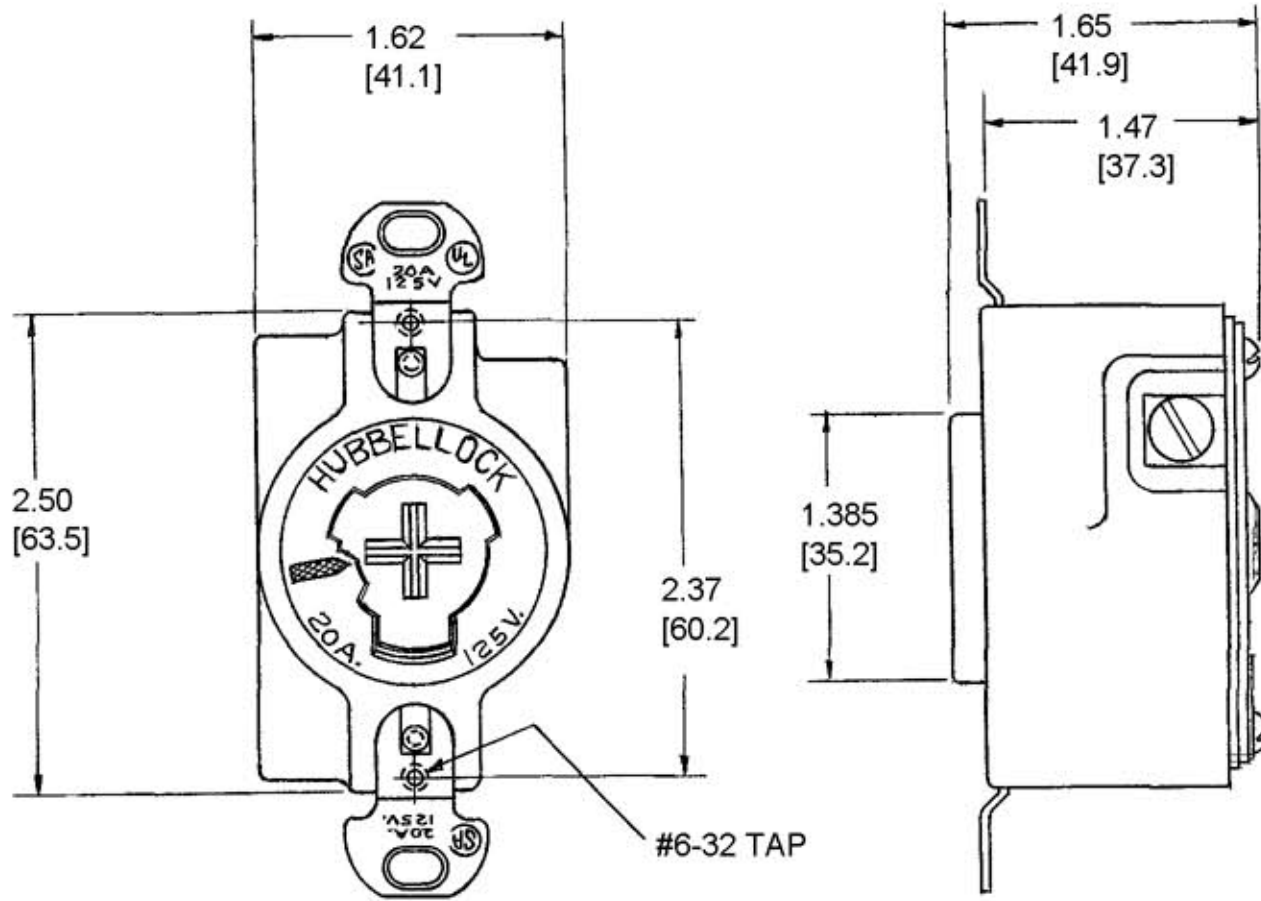


M-4898

1



NOTES:

1. WIRE CAPACITY: #14 AWG TO #10 AWG, SOLID OR STRANDED COPPER WIRE ONLY.
2. ALL DIMS. TO BE INCHES.
[mm]

LIST OF PARTS

DESCRIPTION	MATERIAL	FINISH
BODY	BAKELITE	BLACK
SLIDER	MELAMINE	GREEN
SHUNT	.015 BRASS	
GR. CONT. SPR. BD. PL.	.025 BRZ.	
CONT. SPR. BD. PL.	.025 BRZ.	1 WHITE 1 BRASS PL.
SQUARE NUT	.078 STEEL	ZINC PL.
BINDING SCREW	BRASS	1 WHITE
HEX. HD. BD. SCR.	BRASS	GREEN
INSULATOR	.061 LAM. PH.	BLACK
SUPPORTING STRAP	.062 STEEL	ZINC PL.
RD. HD. SCR.	STEEL	ZINC PL.
END PLATE	.050 STEEL	ZINC PL.

DIMENSION SHEET FOR CAT. NO. HBL23030

REPAIRABLE NON-REPAIRABLE

SYM	REVISIONS	APP	DATE
1	ADDED NOTES 1 & 2; "HBL23030" WAS "23030"; CONVERTED ALL DIMS. TO DECIMAL & METRIC PER DCN 11902 RCM	JPP	1/31/05

B M-4898

TITLE
20A 125V, 3 WIRE, GROUNDING
HUBBELLOCK RECEPTACLE

TOLERANCES UNLESS OTHERWISE SPECIFIED
FRACTIONS ± 1/64
DECIMALS ± .005
ANGLES ± 2°

HARVEY HUBBELL, INC.
BRIDGEPORT, CONN.
DR. BY A. J. L. APP. BY _____
TR. BY _____ SCALE FULL
CHK'D. BY _____ DATE 2-19-69