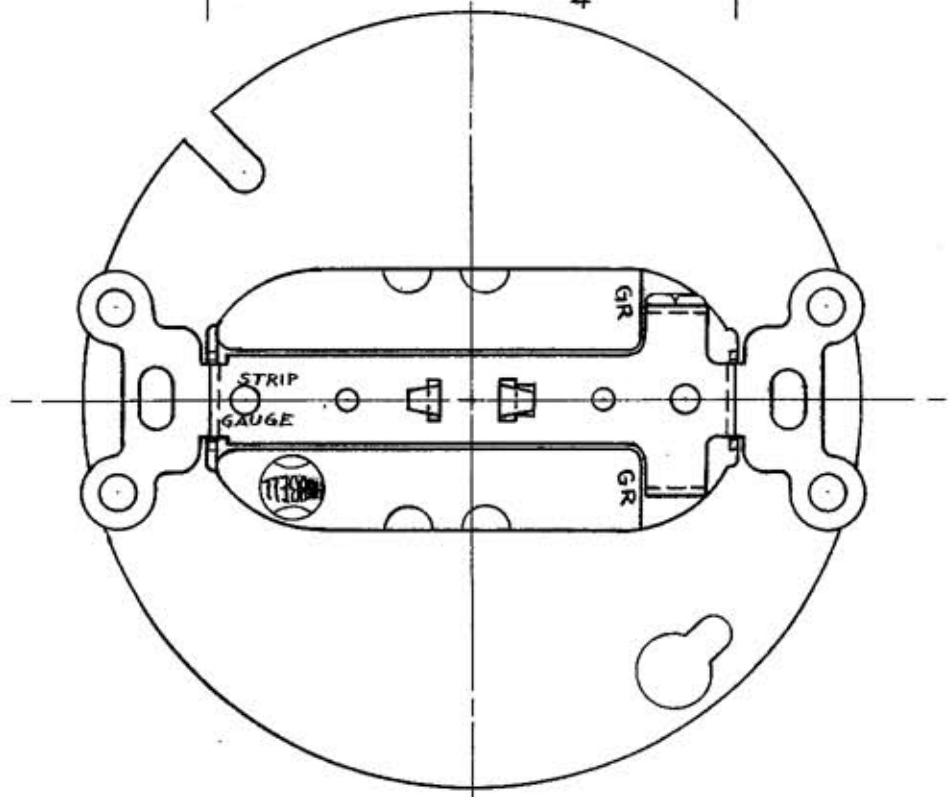
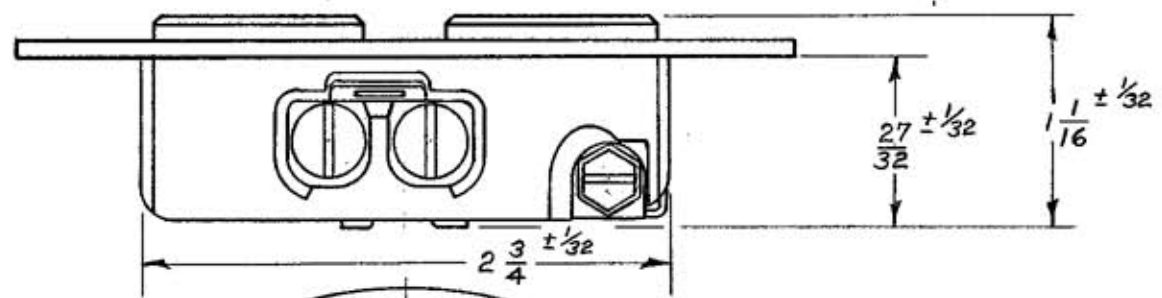
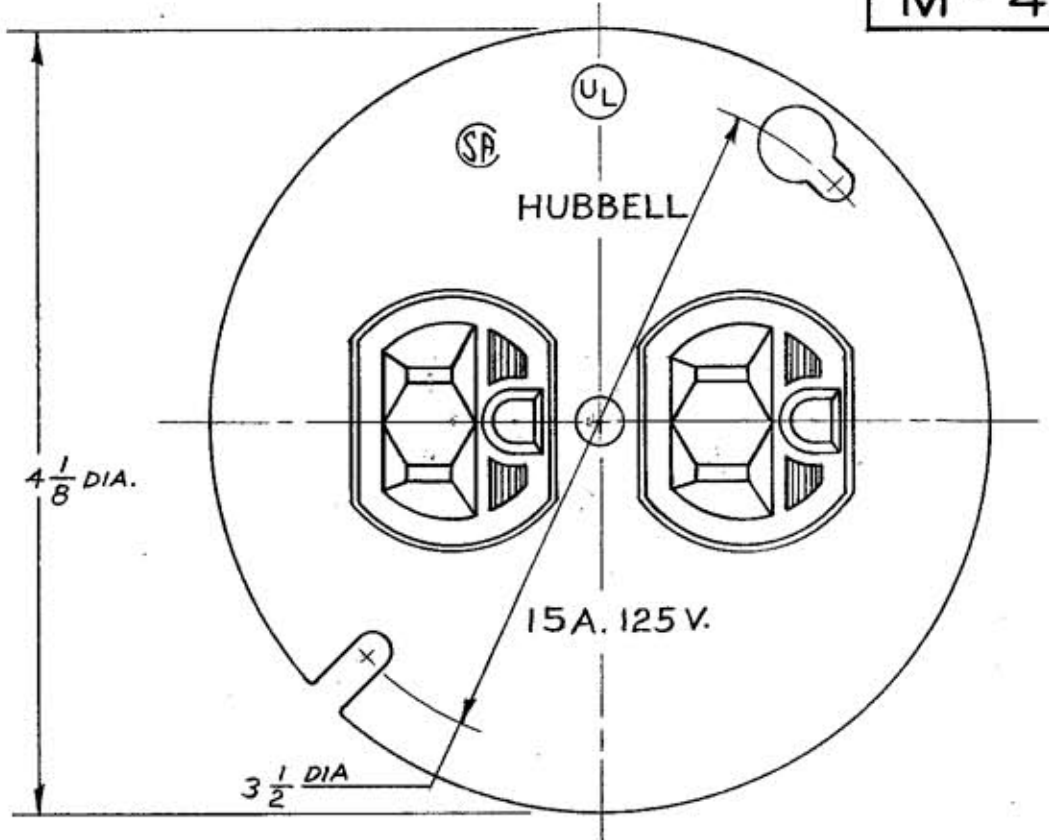


M-4923



LIST OF PARTS		
DESCRIPTION	MATERIAL	FINISH
BODY & BASE	BAKELITE	BROWN
GR. CONTACT SPR.	.020 PR. BRZ	
(2) CONT. SPR. BIND. PL.	.031 BRONZE	(1) WHITE
(4) BINDING SCREWS	BRASS	(2) WHITE
COVER	.094 ALUM.	
CENTER STUD	.050 CRS	ZINC PL.
BRIDGE	.040 CRS	ZINC PL.
HEX. HD. BIND. SCR.	BRASS	GREEN

DIMENSION SHEET FOR CAT. NO. 5253

REPAIRABLE  NON-REPAIRABLE

SYM	REVISIONS	APP	DATE

**B**  
**M-4923**

**TITLE**  
15-A 125-V 3 WIRE GROUNDING  
TYPE DUPLEX FLUSH RECEPTACLE,  
POLARIZED, SIDE WIRED ONLY, ON A  
4" OUTLET BOX COVER.

TOLERANCES UNLESS  
OTHERWISE SPECIFIED  
FRACTIONS ± 1/64  
DECIMALS ± .005  
ANGLES ± 2°

**HARVEY HUBBELL, INC.**  
BRIDGEPORT, CONN.  
DR. BY GM APP. BY \_\_\_\_\_  
TR. BY \_\_\_\_\_ SCALE FULL  
CHK'D. BY J.C.H. DATE 5-12-69

CODE 74545